



ERSATZTEILKATALOG



Porter Maxxi Multitech E6 2015-2020

Vorsatzcode Fahrgestell:

Vorsatzcode Motor:

*Benzin/Flüssiggas/
Methangas Maxxi*

MXUM0KA099

Inhaltsverzeichnis

Fertige Produkte.....	5
Alphanumerisches Verzeichnis.....	28
Motor.....	38
Tafel 01.01 - Motor, komplett.....	38
Tafel 01.04 - Kurbelwelle.....	39
Tafel 01.06 - Zylinderblock.....	40
Tafel 01.07 - Einheit Kolben.....	41
Tafel 01.08 - Einheit Kopf - Ventil.....	42
Tafel 01.10 - Zylinderkopfabdeckung.....	45
Tafel 01.14 - Ventilsteuerungsriemen und Deckel.....	46
Tafel 01.16 - Wasserpumpe.....	47
Tafel 01.17 - Starter - Elektrischer starter.....	49
Tafel 01.19 - Lichtmaschine.....	50
Tafel 01.21 - Ölfilter.....	51
Tafel 01.25 - Hinterachsantrieb.....	52
Tafel 01.26 - Getriebegehäuse.....	55
Tafel 01.27 - Schaltgetriebe.....	57
Tafel 01.28 - Schalthebel.....	59
Tafel 01.29 - Interne Schaltsegmente.....	60
Tafel 01.30 - Kupplung.....	61
Tafel 01.32 - Drosselkörper und Einspritzdüsen.....	62
Tafel 01.33 - Einlass- und Auslassstutzen.....	63
Tafel 01.37 - Auspufftopf.....	65
Tafel 01.38 - Luftfilter.....	66
Fahrgestell - Plastformteil - Karosserien.....	68
Tafel 02.02 - Rahmen/ vordere Karosserieteile.....	68
Tafel 02.03 - Rahmen/ seitliche Karosserieteile.....	70
Tafel 02.04 - Rahmen/ hintere Karosserieteile.....	71
Tafel 02.06 - Motorhalterungen.....	73
Tafel 02.07 - Vordere Türen - Scheibe.....	74
Tafel 02.08 - Bauteile vordere Türen.....	76
Tafel 02.13 - Kabinenbauteile.....	77
Tafel 02.14 - Sicherheitsgurte.....	78
Tafel 02.15 - Dachpaneel.....	79
Tafel 02.16 - Isolierungspaneelle - Zierleisten.....	80
Tafel 02.18 - Offene Ladefläche.....	81
Tafel 02.20 - Ladeflächenbauteile.....	83
Tafel 02.23 - Kippsystem.....	85
Tafel 02.24 - Kippumpe - Bestandteile.....	87
Tafel 02.25 - Windschutzscheibe - Scheiben.....	88
Tafel 02.26 - Fensterheber vorne und hinten.....	89
Tafel 02.28 - Radgehäuse - Radkotflügel.....	90
Tafel 02.29 - Vorderes Bodenpaneel.....	91

Tafel 02.30 - Verkleidungen vorne.....	92
Tafel 02.31 - Hinterabdeckung.....	94
Tafel 02.32 - Plaketten - Verzierungen.....	95
Tafel 02.33 - Vordersitze.....	96
Tafel 02.35 - Innenverkleidungen.....	97
Tafel 02.36 - Rückspiegel/n.....	98
Tafel 02.37 - Schloßen.....	99
Tafel 02.39 - Benzintank II.....	100
Tafel 02.43 - Kühlanlage.....	102
Tafel 02.44 - Bauteile Kühlanlage.....	104
Tafel 02.45 - Heizungsanlage.....	105
Tafel 02.47 - Klimaanlage.....	107
Lenker/Lenkung.....	109
Tafel 03.02 - Cockpitinstrumente - Cruscotto.....	109
Tafel 03.04 - Mittlerer Tunnel.....	111
Tafel 03.06 - Lenkradartikulation.....	112
Tafel 03.08 - Lenkrad.....	114
Radaufhängungen.....	115
Tafel 04.01 - Schwingarm.....	115
Tafel 04.03 - Vordere Radaufhängung - Stoßdämpfer.....	116
Tafel 04.04 - Vorderradnabe.....	117
Tafel 04.05 - Hintere Radaufhängung - Stoßdämpfer.....	118
Tafel 04.06 - Vorderräder und Hinterräder.....	119
Tafel 04.07 - Ersatzrad - Werkzeugtasche.....	120
Bremsanlage - Bowdenzüge.....	122
Tafel 05.01 - Front bremschlauchen - Pumpe.....	122
Tafel 05.03 - Bremschlauchen - Bremszangen II.....	123
Tafel 05.04 - Tubazioni freno posteriori.....	125
Tafel 05.06 - Feststellbremse.....	126
Tafel 05.07 - Bremsbackensätzen.....	127
Tafel 05.08 - Steuerpedal - Hebeln.....	128
Tafel 05.09 - Gaspedal.....	129
Elektrische Anlage.....	130
Tafel 06.01 - Wechselschalter - Umschalter - Druckschalter - Schalter.....	130
Tafel 06.02 - Vorderleuchten - Blinkleuchten.....	131
Tafel 06.03 - Hinterleuchten - Blinkleuchten.....	132
Tafel 06.04 - Fernschalteren - Batterie - Hupe.....	133
Tafel 06.05 - Spannungsreglerern - Zündspule.....	135
Tafel 06.06 - Steuerelektroniken - Sensoren.....	136
Tafel 06.08 - Hauptkabelbaum II.....	137
Tafel 06.09 - Bauteile elektrische Anlage.....	138
Tafel 06.12 - Vorderer und hinterer Scheibenwischer.....	139
Tafel 06.13 - Optional.....	140
LPG.....	141
Tafel 08.01 - Benzintank GPL (Pick).....	141

Tafel 08.03 - Benzin-einspritzanlage GPL.....	143
Methan.....	145
Tafel 09.01 - Kraftstofftank Methan.....	145
Tafel 09.03 - Benzin-einspritzanlage Methan.....	147

Fertige Produkte

Code	Gültigkeit
ML6M0EJ004	
ML6M0EJ005	
ML6M0EU004	
ML6M0EU005	
ML6M0EU024	
ML6M0EU025	
ML6M0EZ004	
ML6M0EZ005	
ML6M0KJJ04	
ML6M0KJT04	
ML6M0KJT05	
ML6M0KJT94	
ML6M0KUJ04	
ML6M0KUJ24	
ML6M0KUT04	
ML6M0KUT05	
ML6M0KUT24	
ML6M0KUT25	
ML6M0KUT94	
ML6M0KUT95	
ML6M0KZT04	
ML6M0KZT05	
ML6M0KZT94	
ML6M2EJ004	
ML6M2EJ005	
ML6M2EU004	
ML6M2EU005	
ML6M2EU024	
ML6M2EU025	
ML6M2EZ004	
ML6M2EZ005	
ML6M2KJJ04	
ML6M2KJT04	
ML6M2KJT05	
ML6M2KUJ04	
ML6M2KUJ24	
ML6M2KUT04	
ML6M2KUT05	
ML6M2KUT24	
ML6M2KUT25	
ML6M2KZT04	
ML6M2KZT05	

Code	Gültigkeit
ML6M6EJ004	
ML6M6EJ005	
ML6M6EU004	
ML6M6EU005	
ML6M6EU024	
ML6M6EU025	
ML6M6EZ004	
ML6M6EZ005	
ML6M6KJJ04	
ML6M6KJT04	
ML6M6KJT05	
ML6M6KUJ04	
ML6M6KUJ24	
ML6M6KUT04	
ML6M6KUT05	
ML6M6KUT24	
ML6M6KUT25	
ML6M6KZT04	
ML6M6KZT05	
ML6M8EJ004	
ML6M8EJ005	
ML6M8EU004	
ML6M8EU005	
ML6M8EU024	
ML6M8EU025	
ML6M8EZ004	
ML6M8EZ005	
ML6M8KJJ04	
ML6M8KJT04	
ML6M8KJT05	
ML6M8KJT94	
ML6M8KUJ04	
ML6M8KUJ24	
ML6M8KUT04	
ML6M8KUT05	
ML6M8KUT24	
ML6M8KUT25	
ML6M8KUT94	
ML6M8KUT95	
ML6M8KZT04	
ML6M8KZT05	
ML6M8KZT94	
ML6MBEJ004	
ML6MBEJ005	
ML6MBEU004	

Code	Gültigkeit
ML6MBEU005	
ML6MBEU024	
ML6MBEU025	
ML6MBEZ004	
ML6MBEZ005	
ML6MBKJJ04	
ML6MBKJT04	
ML6MBKJT05	
ML6MBKUJ04	
ML6MBKUJ24	
ML6MBKUT04	
ML6MBKUT05	
ML6MBKUT24	
ML6MBKUT25	
ML6MBKZT04	
ML6MBKZT05	
ML6MKEJ004	
ML6MKEJ005	
ML6MKEU004	
ML6MKEU005	
ML6MKEU024	
ML6MKEU025	
ML6MKEZ004	
ML6MKEZ005	
ML6MKKJJ04	
ML6MKKJT04	
ML6MKKJT05	
ML6MKKUJ04	
ML6MKKUJ24	
ML6MKKUT04	
ML6MKKUT05	
ML6MKKUT24	
ML6MKKUT25	
ML6MKKZT04	
ML6MKKZT05	
MLMM0KUT04	
MLMM8KUT04	
MM6M0EJ002	
MM6M0EJ003	
MM6M0EJ004	
MM6M0EJ005	
MM6M0EJ102	
MM6M0EJ103	
MM6M0EU002	
MM6M0EU003	

Code	Gültigkeit
MM6M0EU004	
MM6M0EU005	
MM6M0EU022	
MM6M0EU023	
MM6M0EU024	
MM6M0EU025	
MM6M0EU087	
MM6M0EU102	
MM6M0EU103	
MM6M0EU122	
MM6M0EU123	
MM6M0EZ003	
MM6M0EZ103	
MM6M0KJ087	
MM6M0KJ096	
MM6M0KJ097	
MM6M0KJ098	
MM6M0KJ099	
MM6M0KJJ03	
MM6M0KJJ04	
MM6M0KJR02	
MM6M0KJR03	
MM6M0KJT02	
MM6M0KJT03	
MM6M0KJT04	
MM6M0KJT05	
MM6M0KJT94	
MM6M0KU086	
MM6M0KU087	
MM6M0KU088	
MM6M0KU089	
MM6M0KU094	
MM6M0KU095	
MM6M0KU096	
MM6M0KU097	
MM6M0KU195	
MM6M0KUJ03	
MM6M0KUJ04	
MM6M0KUJ05	
MM6M0KUJ22	
MM6M0KUJ24	
MM6M0KUR02	
MM6M0KUR03	
MM6M0KUR22	
MM6M0KUR23	

Code	Gültigkeit
MM6M0KUT02	
MM6M0KUT03	
MM6M0KUT04	
MM6M0KUT05	
MM6M0KUT22	
MM6M0KUT23	
MM6M0KUT24	
MM6M0KUT25	
MM6M0KUT94	
MM6M0KUT95	
MM6M0KZ097	
MM6M0KZR03	
MM6M0KZT02	
MM6M0KZT03	
MM6M0KZT04	
MM6M0KZT05	
MM6M2EJ002	
MM6M2EJ003	
MM6M2EJ004	
MM6M2EJ005	
MM6M2EU002	
MM6M2EU003	
MM6M2EU004	
MM6M2EU005	
MM6M2EU022	
MM6M2EU023	
MM6M2EU024	
MM6M2EU025	
MM6M2EZ003	
MM6M2KJJ04	
MM6M2KJT02	
MM6M2KJT03	
MM6M2KJT04	
MM6M2KJT05	
MM6M2KUJ04	
MM6M2KUJ05	
MM6M2KUJ24	
MM6M2KUT02	
MM6M2KUT03	
MM6M2KUT04	
MM6M2KUT05	
MM6M2KUT22	
MM6M2KUT23	
MM6M2KUT24	
MM6M2KUT25	

Code	Gültigkeit
MM6M2KZT02	
MM6M2KZT03	
MM6M2KZT04	
MM6M2KZT05	
MM6M6EJ002	
MM6M6EJ003	
MM6M6EJ004	
MM6M6EJ005	
MM6M6EU002	
MM6M6EU003	
MM6M6EU004	
MM6M6EU005	
MM6M6EU022	
MM6M6EU023	
MM6M6EU024	
MM6M6EU025	
MM6M6EZ003	
MM6M6KJJ04	
MM6M6KJT02	
MM6M6KJT03	
MM6M6KJT04	
MM6M6KJT05	
MM6M6KUJ04	
MM6M6KUJ24	
MM6M6KUT02	
MM6M6KUT03	
MM6M6KUT04	
MM6M6KUT05	
MM6M6KUT22	
MM6M6KUT23	
MM6M6KUT24	
MM6M6KUT25	
MM6M6KZT02	
MM6M6KZT03	
MM6M6KZT04	
MM6M6KZT05	
MM6M8EJ002	
MM6M8EJ003	
MM6M8EJ004	
MM6M8EJ005	
MM6M8EJ102	
MM6M8EJ103	
MM6M8EU002	
MM6M8EU003	
MM6M8EU004	

Code	Gültigkeit
MM6M8EU005	
MM6M8EU022	
MM6M8EU023	
MM6M8EU024	
MM6M8EU025	
MM6M8EU087	
MM6M8EU102	
MM6M8EU103	
MM6M8EU122	
MM6M8EU123	
MM6M8EZ003	
MM6M8EZ103	
MM6M8KJ087	
MM6M8KJ096	
MM6M8KJ097	
MM6M8KJ098	
MM6M8KJ099	
MM6M8KJJ03	
MM6M8KJJ04	
MM6M8KJR02	
MM6M8KJR03	
MM6M8KJT02	
MM6M8KJT03	
MM6M8KJT04	
MM6M8KJT05	
MM6M8KJT94	
MM6M8KU086	
MM6M8KU087	
MM6M8KU088	
MM6M8KU089	
MM6M8KU094	
MM6M8KU095	
MM6M8KU096	
MM6M8KU097	
MM6M8KU195	
MM6M8KUJ03	
MM6M8KUJ04	
MM6M8KUJ22	
MM6M8KUJ24	
MM6M8KUR02	
MM6M8KUR03	
MM6M8KUR22	
MM6M8KUR23	
MM6M8KUT02	
MM6M8KUT03	

Code	Gültigkeit
MM6M8KUT04	
MM6M8KUT05	
MM6M8KUT22	
MM6M8KUT23	
MM6M8KUT24	
MM6M8KUT25	
MM6M8KUT94	
MM6M8KUT95	
MM6M8KZ097	
MM6M8KZR03	
MM6M8KZT02	
MM6M8KZT03	
MM6M8KZT04	
MM6M8KZT05	
MM6MBEJ002	
MM6MBEJ003	
MM6MBEJ004	
MM6MBEJ005	
MM6MBEU002	
MM6MBEU003	
MM6MBEU004	
MM6MBEU005	
MM6MBEU022	
MM6MBEU023	
MM6MBEU024	
MM6MBEU025	
MM6MBEZ003	
MM6MBKJJ04	
MM6MBKJT02	
MM6MBKJT03	
MM6MBKJT04	
MM6MBKJT05	
MM6MBKUJ04	
MM6MBKUJ24	
MM6MBKUT02	
MM6MBKUT03	
MM6MBKUT04	
MM6MBKUT05	
MM6MBKUT22	
MM6MBKUT23	
MM6MBKUT24	
MM6MBKUT25	
MM6MBKZT02	
MM6MBKZT03	
MM6MBKZT04	

Code	Gültigkeit
MM6MBKZT05	
MM6MKEJ002	
MM6MKEJ003	
MM6MKEJ004	
MM6MKEJ005	
MM6MKEU002	
MM6MKEU003	
MM6MKEU004	
MM6MKEU005	
MM6MKEU022	
MM6MKEU023	
MM6MKEU024	
MM6MKEU025	
MM6MKEZ003	
MM6MKKJJ04	
MM6MKKJT02	
MM6MKKJT03	
MM6MKKJT04	
MM6MKKJT05	
MM6MKKUJ04	
MM6MKKUJ24	
MM6MKKUT02	
MM6MKKUT03	
MM6MKKUT04	
MM6MKKUT05	
MM6MKKUT22	
MM6MKKUT23	
MM6MKKUT24	
MM6MKKUT25	
MM6MKKZT02	
MM6MKKZT03	
MM6MKKZT04	
MM6MKKZT05	
MMUM0KUT02	
MMUM0KZT85	
MMUM0KZT89	
MMUM8EA085	
MMUM8EU085	
MMUM8KA086	
MMUM8KJR85	
MMUM8KU086	
MMUM8KZT85	
MQ6M0EJ002	
MQ6M0EJ004	
MQ6M0EJ005	

Code	Gültigkeit
MQ6M0EJ022	
MQ6M0EJ024	
MQ6M0EJ025	
MQ6M0EJ102	
MQ6M0EJ122	
MQ6M0EU002	
MQ6M0EU004	
MQ6M0EU005	
MQ6M0EU022	
MQ6M0EU024	
MQ6M0EU025	
MQ6M0EU102	
MQ6M0EU122	
MQ6M0EZ002	
MQ6M0EZ004	
MQ6M0EZ005	
MQ6M0EZ102	
MQ6M0KJ097	
MQ6M0KJ302	
MQ6M0KJ304	
MQ6M0KJ305	
MQ6M0KJ322	
MQ6M0KJ324	
MQ6M0KJ325	
MQ6M0KJ394	
MQ6M0KJH02	
MQ6M0KJH22	
MQ6M0KU088	
MQ6M0KU089	
MQ6M0KU096	
MQ6M0KU097	
MQ6M0KU302	
MQ6M0KU304	
MQ6M0KU305	
MQ6M0KU322	
MQ6M0KU324	
MQ6M0KU325	
MQ6M0KU394	
MQ6M0KU395	
MQ6M0KUF02	
MQ6M0KUH02	
MQ6M0KUH22	
MQ6M0KUV02	
MQ6M0KUY04	
MQ6M0KZ302	

Code	Gültigkeit
MQ6M0KZ304	
MQ6M0KZ305	
MQ6M0KZH02	
MQ6M2EJ002	
MQ6M2EJ004	
MQ6M2EJ005	
MQ6M2EJ022	
MQ6M2EJ024	
MQ6M2EJ025	
MQ6M2EU002	
MQ6M2EU004	
MQ6M2EU005	
MQ6M2EU022	
MQ6M2EU024	
MQ6M2EU025	
MQ6M2EZ002	
MQ6M2EZ004	
MQ6M2EZ005	
MQ6M2KJ302	
MQ6M2KJ304	
MQ6M2KJ305	
MQ6M2KJ322	
MQ6M2KJ324	
MQ6M2KJ325	
MQ6M2KU302	
MQ6M2KU304	
MQ6M2KU305	
MQ6M2KU322	
MQ6M2KU324	
MQ6M2KU325	
MQ6M2KZ302	
MQ6M2KZ304	
MQ6M2KZ305	
MQ6M6EJ002	
MQ6M6EJ004	
MQ6M6EJ005	
MQ6M6EJ022	
MQ6M6EJ024	
MQ6M6EJ025	
MQ6M6EU002	
MQ6M6EU004	
MQ6M6EU005	
MQ6M6EU022	
MQ6M6EU024	
MQ6M6EU025	

Code	Gültigkeit
MQ6M6EZ002	
MQ6M6EZ004	
MQ6M6EZ005	
MQ6M6KJ302	
MQ6M6KJ304	
MQ6M6KJ305	
MQ6M6KJ322	
MQ6M6KJ324	
MQ6M6KJ325	
MQ6M6KU302	
MQ6M6KU304	
MQ6M6KU305	
MQ6M6KU322	
MQ6M6KU324	
MQ6M6KU325	
MQ6M6KZ302	
MQ6M6KZ304	
MQ6M6KZ305	
MQ6M8EJ002	
MQ6M8EJ004	
MQ6M8EJ005	
MQ6M8EJ022	
MQ6M8EJ024	
MQ6M8EJ025	
MQ6M8EJ102	
MQ6M8EJ122	
MQ6M8EU002	
MQ6M8EU004	
MQ6M8EU005	
MQ6M8EU022	
MQ6M8EU024	
MQ6M8EU025	
MQ6M8EU102	
MQ6M8EU122	
MQ6M8EZ002	
MQ6M8EZ004	
MQ6M8EZ005	
MQ6M8EZ102	
MQ6M8KJ097	
MQ6M8KJ302	
MQ6M8KJ304	
MQ6M8KJ305	
MQ6M8KJ322	
MQ6M8KJ324	
MQ6M8KJ325	

Code	Gültigkeit
MQ6M8KJ394	
MQ6M8KJH02	
MQ6M8KJH22	
MQ6M8KU088	
MQ6M8KU089	
MQ6M8KU096	
MQ6M8KU097	
MQ6M8KU302	
MQ6M8KU304	
MQ6M8KU305	
MQ6M8KU322	
MQ6M8KU324	
MQ6M8KU325	
MQ6M8KU394	
MQ6M8KU395	
MQ6M8KUF02	
MQ6M8KUH02	
MQ6M8KUH22	
MQ6M8KUY04	
MQ6M8KZ302	
MQ6M8KZ304	
MQ6M8KZ305	
MQ6M8KZH02	
MQ6MBEJ002	
MQ6MBEJ004	
MQ6MBEJ005	
MQ6MBEJ022	
MQ6MBEJ024	
MQ6MBEJ025	
MQ6MBEU002	
MQ6MBEU004	
MQ6MBEU005	
MQ6MBEU022	
MQ6MBEU024	
MQ6MBEU025	
MQ6MBEZ002	
MQ6MBEZ004	
MQ6MBEZ005	
MQ6MBKJ302	
MQ6MBKJ304	
MQ6MBKJ305	
MQ6MBKJ322	
MQ6MBKJ324	
MQ6MBKJ325	
MQ6MBKU302	

Code	Gültigkeit
MQ6MBKU304	
MQ6MBKU305	
MQ6MBKU322	
MQ6MBKU324	
MQ6MBKU325	
MQ6MBKZ302	
MQ6MBKZ304	
MQ6MBKZ305	
MQ6MJKUF02	
MQ6MKEJ002	
MQ6MKEJ004	
MQ6MKEJ005	
MQ6MKEJ022	
MQ6MKEJ024	
MQ6MKEJ025	
MQ6MKEU002	
MQ6MKEU004	
MQ6MKEU005	
MQ6MKEU022	
MQ6MKEU024	
MQ6MKEU025	
MQ6MKEZ002	
MQ6MKEZ004	
MQ6MKEZ005	
MQ6MKKJ302	
MQ6MKKJ304	
MQ6MKKJ305	
MQ6MKKJ322	
MQ6MKKJ324	
MQ6MKKJ325	
MQ6MKKU302	
MQ6MKKU304	
MQ6MKKU305	
MQ6MKKU322	
MQ6MKKU324	
MQ6MKKU325	
MQ6MKKUV02	
MQ6MKKZ302	
MQ6MKKZ304	
MQ6MKKZ305	
MQUM0EA189	
MQUM0KA089	
MQUM0KA099	
MQUM0KZH85	
MQUM8EA189	

Code	Gültigkeit
MQUM8KA085	
MQUM8KA089	
MQUM8KA099	
MQUM8KJ385	
MQUM8KU085	
MQUM8KZH85	
MX6M0EJ001	
MX6M0EJ004	
MX6M0EJ005	
MX6M0EJ021	
MX6M0EJ024	
MX6M0EJ025	
MX6M0EJ101	
MX6M0EJ121	
MX6M0EU001	
MX6M0EU004	
MX6M0EU005	
MX6M0EU021	
MX6M0EU024	
MX6M0EU025	
MX6M0EU089	
MX6M0EU101	
MX6M0EU121	
MX6M0EZ001	
MX6M0EZ004	
MX6M0EZ005	
MX6M0EZ101	
MX6M0KJ089	
MX6M0KJ097	
MX6M0KJ099	
MX6M0KJ301	
MX6M0KJ304	
MX6M0KJ305	
MX6M0KJ321	
MX6M0KJ324	
MX6M0KJ325	
MX6M0KJ394	
MX6M0KJ395	
MX6M0KJH01	
MX6M0KJH21	
MX6M0KJY01	
MX6M0KJY04	
MX6M0KU088	
MX6M0KU089	
MX6M0KU096	

Code	Gültigkeit
MX6M0KU097	
MX6M0KU301	
MX6M0KU304	
MX6M0KU305	
MX6M0KU321	
MX6M0KU324	
MX6M0KU325	
MX6M0KU394	
MX6M0KU395	
MX6M0KUF01	
MX6M0KUH01	
MX6M0KUH21	
MX6M0KUV01	
MX6M0KUY04	
MX6M0KZ089	
MX6M0KZ097	
MX6M0KZ099	
MX6M0KZ301	
MX6M0KZ304	
MX6M0KZ305	
MX6M0KZ394	
MX6M0KZH01	
MX6M2EJ001	
MX6M2EJ004	
MX6M2EJ005	
MX6M2EJ021	
MX6M2EJ024	
MX6M2EJ025	
MX6M2EU001	
MX6M2EU004	
MX6M2EU005	
MX6M2EU021	
MX6M2EU024	
MX6M2EU025	
MX6M2EZ001	
MX6M2EZ004	
MX6M2EZ005	
MX6M2KJ301	
MX6M2KJ304	
MX6M2KJ305	
MX6M2KJ321	
MX6M2KJ324	
MX6M2KJ325	
MX6M2KU301	
MX6M2KU304	

Code	Gültigkeit
MX6M2KU305	
MX6M2KU321	
MX6M2KU324	
MX6M2KU325	
MX6M2KZ301	
MX6M2KZ304	
MX6M2KZ305	
MX6M6EJ001	
MX6M6EJ004	
MX6M6EJ005	
MX6M6EJ021	
MX6M6EJ024	
MX6M6EJ025	
MX6M6EU001	
MX6M6EU004	
MX6M6EU005	
MX6M6EU021	
MX6M6EU024	
MX6M6EU025	
MX6M6EZ001	
MX6M6EZ004	
MX6M6EZ005	
MX6M6KJ301	
MX6M6KJ304	
MX6M6KJ305	
MX6M6KJ321	
MX6M6KJ324	
MX6M6KJ325	
MX6M6KU301	
MX6M6KU304	
MX6M6KU305	
MX6M6KU321	
MX6M6KU324	
MX6M6KU325	
MX6M6KZ301	
MX6M6KZ304	
MX6M6KZ305	
MX6M8EJ001	
MX6M8EJ004	
MX6M8EJ005	
MX6M8EJ021	
MX6M8EJ024	
MX6M8EJ025	
MX6M8EJ101	
MX6M8EJ121	

Code	Gültigkeit
MX6M8EU001	
MX6M8EU004	
MX6M8EU005	
MX6M8EU021	
MX6M8EU024	
MX6M8EU025	
MX6M8EU089	
MX6M8EU101	
MX6M8EU121	
MX6M8EZ001	
MX6M8EZ004	
MX6M8EZ005	
MX6M8EZ101	
MX6M8KJ089	
MX6M8KJ097	
MX6M8KJ099	
MX6M8KJ301	
MX6M8KJ304	
MX6M8KJ305	
MX6M8KJ321	
MX6M8KJ324	
MX6M8KJ325	
MX6M8KJ394	
MX6M8KJ395	
MX6M8KJH01	
MX6M8KJH21	
MX6M8KJY01	
MX6M8KJY04	
MX6M8KU088	
MX6M8KU089	
MX6M8KU096	
MX6M8KU097	
MX6M8KU301	
MX6M8KU304	
MX6M8KU305	
MX6M8KU321	
MX6M8KU324	
MX6M8KU325	
MX6M8KU394	
MX6M8KU395	
MX6M8KUF01	
MX6M8KUH01	
MX6M8KUH21	
MX6M8KUV01	
MX6M8KUY04	

Code	Gültigkeit
MX6M8KZ089	
MX6M8KZ097	
MX6M8KZ099	
MX6M8KZ301	
MX6M8KZ304	
MX6M8KZ305	
MX6M8KZ394	
MX6M8KZH01	
MX6MBEJ001	
MX6MBEJ004	
MX6MBEJ005	
MX6MBEJ021	
MX6MBEJ024	
MX6MBEJ025	
MX6MBEU001	
MX6MBEU004	
MX6MBEU005	
MX6MBEU021	
MX6MBEU024	
MX6MBEU025	
MX6MBEZ001	
MX6MBEZ004	
MX6MBEZ005	
MX6MBKJ301	
MX6MBKJ304	
MX6MBKJ305	
MX6MBKJ321	
MX6MBKJ324	
MX6MBKJ325	
MX6MBKU301	
MX6MBKU304	
MX6MBKU305	
MX6MBKU321	
MX6MBKU324	
MX6MBKU325	
MX6MBKZ301	
MX6MBKZ304	
MX6MBKZ305	
MX6MJKZ304	
MX6MKEJ001	
MX6MKEJ004	
MX6MKEJ005	
MX6MKEJ021	
MX6MKEJ024	
MX6MKEJ025	

Code	Gültigkeit
MX6MKEU001	
MX6MKEU004	
MX6MKEU005	
MX6MKEU021	
MX6MKEU024	
MX6MKEU025	
MX6MKEZ001	
MX6MKEZ004	
MX6MKEZ005	
MX6MKKJ301	
MX6MKKJ304	
MX6MKKJ305	
MX6MKKJ321	
MX6MKKJ324	
MX6MKKJ325	
MX6MKKU301	
MX6MKKU304	
MX6MKKU305	
MX6MKKU321	
MX6MKKU324	
MX6MKKU325	
MX6MKKZ301	
MX6MKKZ304	
MX6MKKZ305	
MXMM0KU304	
MXMM8KU304	
MXUM0KA099	
MXUM8EA189	
MXUM8KA099	
NL6M0EZ004	
NL6M0EZ005	
NL6M0KZT04	
NL6M0KZT05	
NL6M0KZT94	
NL6M2EZ004	
NL6M2EZ005	
NL6M2KZT04	
NL6M2KZT05	
NL6M6EZ004	
NL6M6EZ005	
NL6M6KZT04	
NL6M6KZT05	
NL6M8EZ004	
NL6M8EZ005	
NL6M8KZT04	

Code	Gültigkeit
NL6M8KZT05	
NL6M8KZT94	
NL6MBEZ004	
NL6MBEZ005	
NL6MBKZT04	
NL6MBKZT05	
NL6MKEZ004	
NL6MKEZ005	
NL6MKKZT04	
NL6MKKZT05	
NM6M0EZ003	
NM6M0EZ103	
NM6M0KZ097	
NM6M0KZR03	
NM6M0KZT02	
NM6M0KZT03	
NM6M0KZT04	
NM6M0KZT05	
NM6M2EZ003	
NM6M2KZT02	
NM6M2KZT03	
NM6M2KZT04	
NM6M2KZT05	
NM6M6EZ003	
NM6M6KZT02	
NM6M6KZT03	
NM6M6KZT04	
NM6M6KZT05	
NM6M8EZ003	
NM6M8EZ103	
NM6M8KZ097	
NM6M8KZR03	
NM6M8KZT02	
NM6M8KZT03	
NM6M8KZT04	
NM6M8KZT05	
NM6MBEZ003	
NM6MBKZT02	
NM6MBKZT03	
NM6MBKZT04	
NM6MBKZT05	
NM6MKEZ003	
NM6MKKZT02	
NM6MKKZT03	
NM6MKKZT04	

Code	Gültigkeit
NM6MKKZT05	
NQ6M0EZ002	
NQ6M0EZ004	
NQ6M0EZ005	
NQ6M0EZ102	
NQ6M0KZ302	
NQ6M0KZ304	
NQ6M0KZ305	
NQ6M0KZH02	
NQ6M2EZ002	
NQ6M2EZ004	
NQ6M2EZ005	
NQ6M2KZ302	
NQ6M2KZ304	
NQ6M2KZ305	
NQ6M6EZ002	
NQ6M6EZ004	
NQ6M6EZ005	
NQ6M6KZ302	
NQ6M6KZ304	
NQ6M6KZ305	
NQ6M8EZ002	
NQ6M8EZ004	
NQ6M8EZ005	
NQ6M8EZ102	
NQ6M8KZ302	
NQ6M8KZ304	
NQ6M8KZ305	
NQ6M8KZH02	
NQ6MBEZ002	
NQ6MBEZ004	
NQ6MBEZ005	
NQ6MBKZ302	
NQ6MBKZ304	
NQ6MBKZ305	
NQ6MKEZ002	
NQ6MKEZ004	
NQ6MKEZ005	
NQ6MKKZ302	
NQ6MKKZ304	
NQ6MKKZ305	
NX6M0EZ001	
NX6M0EZ004	
NX6M0EZ005	
NX6M0EZ101	

Code	Gültigkeit
NX6M0KZ097	
NX6M0KZ099	
NX6M0KZ301	
NX6M0KZ304	
NX6M0KZ305	
NX6M0KZ394	
NX6M0KZH01	
NX6M2EZ001	
NX6M2EZ004	
NX6M2EZ005	
NX6M2KZ301	
NX6M2KZ304	
NX6M2KZ305	
NX6M6EZ001	
NX6M6EZ004	
NX6M6EZ005	
NX6M6KZ301	
NX6M6KZ304	
NX6M6KZ305	
NX6M8EZ001	
NX6M8EZ004	
NX6M8EZ005	
NX6M8EZ101	
NX6M8KZ097	
NX6M8KZ099	
NX6M8KZ301	
NX6M8KZ304	
NX6M8KZ305	
NX6M8KZ394	
NX6M8KZH01	
NX6MBEZ001	
NX6MBEZ004	
NX6MBEZ005	
NX6MBKZ301	
NX6MBKZ304	
NX6MBKZ305	
NX6MKEZ001	
NX6MKEZ004	
NX6MKEZ005	
NX6MKKZ301	
NX6MKKZ304	
NX6MKKZ305	

Code	Nr. der Tafel	Pos.	Code	Nr. der Tafel	Pos.	Code	Nr. der Tafel	Pos.
002383	02.20	14	016673	01.38	38	181351	03.04	11
002383	02.20	22	018536	06.13	3	191002	05.06	22
002383	02.20	29	018544	02.20	40	191002	06.09	23
002418	08.01	26	018575	06.01	10	196750	05.08	24
002418	08.01	7	021216	03.08	8	196750	06.01	20
002440	02.04	13	030052	01.38	36	1A003083	02.47	27
002440	02.04	15	030052	05.03	27	1A003094	01.10	2
002440	02.31	14	030072	02.20	11	1A003095	01.33	14
002440	02.31	5	030072	02.20	21	1A003247	02.47	33
002440	02.31	9	030072	02.20	27	1A003791	01.01	1
002440	08.01	12	030079	08.01	5	1A003802	02.47	26
002440	08.01	15	030082	03.06	3	1A003837	01.26	29
002440	09.01	15	030098	08.01	9	1A004345	01.21	4
003056	08.03	4	030098	09.01	26	1A004402	02.47	28
003056	09.03	14	030109	09.01	38	1A004871	02.39	22
003058	01.38	35	031027	02.39	10	1A004891	01.01	1
003060	08.01	10	031056	02.39	8	1A005142	01.21	3
003060	08.01	14	031086	05.03	23	1A005148	01.04	19
003060	08.01	18	031088	08.03	5	1A005149	01.04	20
003060	09.01	28	031088	09.01	22	1A005159	01.04	17
003060	09.01	40	031088	09.03	15	1A005160	01.04	10
003062	04.05	4	031089	06.06	11	1A005161	01.27	9
003208	05.08	27	031090	02.02	40	1A005162	01.30	1
005964	05.09	8	031090	04.04	15	1A005168	01.26	14
006032	03.06	4	031090	09.01	17	1A005169	01.21	2
006968	06.12	7	031118	08.01	24	1A005177	01.06	16
006982	04.05	18	031119	02.18	16	1A005465	02.06	3
009000	06.01	16	031119	02.18	5	1A005466	01.16	13
013754	06.06	7	031119	05.08	28	1A005466	01.32	2
013763	02.20	41	031120	02.28	2	1A005469	01.26	26
013777	04.04	14	031120	04.07	2	1A005473	01.26	28
013777	09.01	19	031120	04.07	2	1A005474	01.26	27
013777	09.01	23	031120	04.07	4	1A005475	01.06	1
013861	08.01	6	031120	04.07	4	1A005476	01.06	2
013869	09.01	14	031121	01.38	33	1A005477	01.06	3
013869	09.01	31	031153	02.23	21	1A005477	01.08	28
013880	02.13	12	031153	02.23	29	1A005479	01.04	14
013962	02.04	9	031157	02.04	7	1A005479	01.06	10
015249	02.23	26	031157	02.31	11	1A005479	01.06	8
015249	02.23	4	031157	02.31	3	1A005480	01.06	7
015335	04.07	3	031157	02.31	7	1A005481	01.06	6
015335	04.07	3	031157	08.01	16	1A005482	01.06	5
015859	03.02	15	071633	06.03	9	1A005482	01.08	25
015859	03.04	7	078783	02.04	10	1A005482	01.14	6
015900	02.13	2	078783	02.04	12	1A005482	01.33	6
015994	06.13	4	078783	02.31	13	1A005483	01.06	11
016404	02.20	42	078783	02.31	4	1A005484	01.04	11
016404	02.39	11	078783	02.31	8	1A005485	01.04	12
016405	02.39	16	0915187Z03000	04.07	12	1A005486	01.06	4
016406	01.38	37	0915187Z03000	04.07	12	1A005487	01.33	30
016406	04.04	13	0915587Z04000	04.07	11	1A005488	01.08	29
016406	09.01	18	129953	06.03	6	1A005489	01.08	21
016408	01.38	34	145298	02.45	18	1A005490	01.07	5
016408	02.33	7	145298	06.09	5	1A005491	01.07	4
016408	05.08	17	160654	06.03	5	1A005492	01.07	3
016410	02.06	15	1618587Z02000	02.43	4	1A005493	01.07	6
016410	02.20	17	1633787Z07000	02.44	3	1A005494	01.07	7
016410	02.20	33	1756787Z03000	01.37	9	1A005495	01.07	8
016410	02.20	35	178790	02.20	16	1A005496	01.08	1
016410	02.31	12	178790	02.20	32	1A005498	01.08	30
016410	04.05	11	178790	02.23	20	1A005499	01.08	9
016410	09.01	27	178790	02.23	25	1A005500	01.08	10
016410	09.01	39	1787987Z03000	01.38	13	1A005501	01.08	13
016626	02.04	11	1787987Z04000	01.38	12	1A005502	01.08	11
016626	02.06	16	1787987Z05000	01.38	11	1A005503	01.08	12
016626	02.20	36	180678	01.38	24	1A005504	01.08	14
016667	05.03	26	180678	01.38	6	1A005505	01.08	15

Code	Nr. der Tafel	Pos.	Code	Nr. der Tafel	Pos.	Code	Nr. der Tafel	Pos.
1A005507	01.10	1	1A005586	01.16	17	1A005741	01.26	25
1A005510	01.08	3	1A005587	01.16	18	1A005742	01.26	7
1A005511	01.08	2	1A005588	01.16	20	1A005744	01.26	13
1A005512	01.08	7	1A005589	01.16	27	1A005750	01.27	21
1A005513	01.08	8	1A005590	01.16	30	1A005754	01.27	24
1A005514	01.08	6	1A005591	01.16	29	1A005755	01.27	26
1A005515	01.08	4	1A005592	01.16	28	1A005757	01.27	25
1A005516	01.08	5	1A005593	01.16	24	1A005761	01.27	44
1A005518	01.08	20	1A005608	01.06	23	1A005762	01.27	40
1A005520	01.08	27	1A005609	01.06	24	1A005763	01.27	50
1A005521	01.08	26	1A005610	01.21	1	1A005764	01.27	52
1A005522	01.08	23	1A005611	01.06	12	1A005765	01.27	3
1A005523	01.08	24	1A005612	01.06	13	1A005771	01.27	4
1A005523	01.33	4	1A005613	01.06	22	1A005772	01.27	29
1A005524	01.10	4	1A005614	01.06	17	1A005772	01.27	43
1A005525	01.10	6	1A005615	01.06	20	1A005773	01.27	42
1A005526	01.10	5	1A005616	01.32	1	1A005774	01.27	41
1A005527	01.06	14	1A005617	02.39	40	1A005775	01.27	32
1A005527	01.08	19	1A005619	01.33	1	1A005776	01.27	31
1A005528	01.08	17	1A005620	01.33	7	1A005777	01.27	30
1A005532	01.08	18	1A005621	01.33	8	1A005780	01.30	3
1A005533	01.10	3	1A005622	01.32	4	1A005781	01.30	6
1A005534	01.08	22	1A005623	01.32	3	1A005782	01.30	5
1A005536	01.14	1	1A005624	01.33	2	1A005788	01.28	24
1A005537	01.14	4	1A005625	01.33	15	1A005789	01.28	4
1A005538	01.14	8	1A005625	01.33	20	1A005790	01.28	27
1A005539	01.14	2	1A005626	01.33	16	1A005791	01.28	26
1A005539	01.33	3	1A005627	01.33	12	1A005792	01.28	25
1A005540	01.14	3	1A005629	01.33	13	1A005793	01.28	3
1A005541	01.14	10	1A005630	01.33	18	1A005794	01.28	5
1A005542	01.14	7	1A005631	01.33	19	1A005795	01.28	21
1A005543	01.14	18	1A005632	01.33	27	1A005796	01.28	10
1A005544	01.14	14	1A005633	01.04	15	1A005797	01.28	9
1A005545	01.14	15	1A005634	01.33	23	1A005798	01.28	15
1A005546	01.14	19	1A005635	01.33	21	1A005799	01.28	7
1A005548	01.14	17	1A005636	01.33	31	1A005800	01.28	1
1A005549	01.14	16	1A005638	01.33	29	1A005801	01.28	19
1A005552	01.04	7	1A005639	01.33	25	1A005803	01.28	2
1A005553	01.04	6	1A005640	01.33	26	1A005804	01.28	14
1A005554	01.04	8	1A005641	01.33	24	1A006490	08.03	1
1A005555	01.04	5	1A005642	01.33	32	1A006490	09.03	12
1A005556	01.04	9	1A005643	01.33	34	1A006838	08.03	6
1A005557	01.07	2	1A005644	06.05	3	1A006838	09.03	16
1A005558	01.07	1	1A005645	06.05	4	1A006881	08.03	35
1A005559	01.04	18	1A005653	01.33	33	1A006881	09.03	19
1A005560	01.04	21	1A005654	01.04	2	1A006882	08.03	36
1A005569	01.04	16	1A005655	01.04	1	1A006882	09.03	20
1A005570	01.16	6	1A005656	01.04	3	1A006883	08.03	37
1A005571	01.16	7	1A005657	01.04	4	1A006883	09.03	21
1A005571	01.33	11	1A005658	01.19	1	1A012100	06.06	3
1A005572	01.16	5	1A005659	01.19	3	1D000720	06.06	3
1A005572	01.33	10	1A005660	01.19	5	1D000736	06.13	1
1A005573	01.16	1	1A005663	01.17	2	1D000776	06.02	26
1A005574	01.16	3	1A005664	01.19	9	1D000790	06.02	27
1A005575	01.16	2	1A005665	01.17	3	1D000814	06.08	1
1A005576	01.16	25	1A005666	01.17	1	1D000816	03.02	18
1A005577	01.16	26	1A005667	01.17	4	1D000930	02.47	48
1A005578	01.16	8	1A005723	01.26	1	1D000945	02.23	24
1A005579	01.16	14	1A005724	01.26	5	1D000970	06.06	1
1A005580	01.16	15	1A005725	01.26	9	1D001010	03.06	33
1A005581	01.16	16	1A005730	01.26	18	1D001075	06.01	19
1A005581	01.16	19	1A005732	01.26	20	1D001120	03.06	34
1A005581	01.33	9	1A005733	01.26	19	1D001190	06.04	29
1A005582	01.16	9	1A005734	01.26	2	1D001191	02.37	10
1A005583	01.16	21	1A005735	01.26	10	1D001191	03.08	9
1A005584	01.16	23	1A005736	01.26	17	1D001216	01.33	28
1A005585	01.16	22	1A005740	01.26	12	1D001216	01.37	10

Code	Nr. der Tafel	Pos.	Code	Nr. der Tafel	Pos.	Code	Nr. der Tafel	Pos.
1D001217	06.04	7	1E0010745	02.25	1	1E001598	02.47	40
1D001291	06.04	7	1E001087	05.03	19	1E0016105	02.25	19
1D001294	06.04	28	1E001096	02.30	1	1E001615	02.47	34
1D001352	01.06	9	1E001096	02.30	28	1E001626	05.09	1
1D001488	06.08	4	1E001098	02.30	30	1E001631	02.37	2
1D001559	06.08	4	1E001131	02.47	24	1E0016625	02.29	1
1D001631	06.08	1	1E001140	06.06	2	1E001690	05.01	10
1D001977	06.08	1	1E001147	02.39	42	1E001691	05.01	16
1D001978	06.08	1	1E001149	02.39	28	1E001724	08.03	18
1D002025	06.01	21	1E001159	06.06	9	1E001725	08.03	23
1E0000185	02.02	1	1E0011715	02.04	4	1E001726	08.03	19
1E000090	02.44	6	1E001188	06.12	14	1E001728	08.03	26
1E000090	02.47	2	1E001204	04.04	8	1E001732	09.03	2
1E000091	02.44	4	1E001206	06.06	8	1E001733	08.03	16
1E000091	02.47	3	1E001212	03.06	6	1E001734	08.03	10
1E000176	02.47	1	1E001222	05.08	1	1E001742	01.25	1
1E000304	02.43	5	1E0012295	02.29	1	1E001752	09.03	6
1E0003545	02.04	2	1E001238	02.06	2	1E001753	08.03	28
1E000359	06.08	2	1E0012925	01.37	2	1E001766	09.03	1
1E000405	01.38	7	1E001294	03.06	11	1E0017975	02.04	17
1E000406	01.38	8	1E001314	05.01	4	1E001799	09.03	11
1E000407	01.38	22	1E001315	05.01	3	1E001800	09.03	9
1E000415	01.38	26	1E001372	08.01	32	1E001803	08.01	27
1E000541	02.18	29	1E001404	05.06	15	1E001804	09.03	5
1E000543	01.38	10	1E001407	05.06	14	1E001806	08.03	13
1E000546	01.29	18	1E001420	02.39	34	1E001848	08.03	14
1E000607	02.43	9	1E001432	02.39	31	1E001849	08.01	39
1E000608	02.43	11	1E001440	02.39	35	1E001863	08.03	12
1E000609	02.43	17	1E001444	05.03	21	1E001863	08.03	17
1E000612	02.43	18	1E001448	02.43	22	1E001863	08.03	9
1E000614	02.45	30	1E001449	02.43	20	1E001863	09.03	4
1E000615	04.07	6	1E001454	02.43	34	1E001865	08.01	30
1E000615	04.07	6	1E001455	02.43	23	1E001868	08.03	32
1E000806	04.01	12	1E001456	01.38	28	1E001869	02.39	31
1E000807	04.01	1	1E001456	01.38	30	1E001870	02.39	32
1E000809	04.04	1	1E001466	02.39	32	1E001884	02.39	22
1E000813	04.04	10	1E001467	02.39	39	1E001903	08.03	33
1E000816	04.04	2	1E001469	01.29	19	1E001933	09.01	6
1E000817	04.04	6	1E001470	01.29	13	1E001934	09.01	5
1E000818	04.03	2	1E001500	02.04	8	1E001935	09.01	3
1E000819	04.03	1	1E001503	02.04	24	1E001936	09.01	11
1E0008705	01.37	2	1E001503	02.04	24	1E001951	08.01	28
1E000884	01.25	1	1E001504	02.04	23	1E001966	09.01	12
1E000892	05.03	22	1E001504	02.04	23	1E001982	08.03	24
1E000902	05.03	6	1E001511	02.32	11	1E002149	02.07	33
1E000905	05.03	3	1E001512	02.32	12	1E002151	02.07	31
1E000908	05.03	4	1E001520	02.37	1	1E002152	02.07	29
1E000912	05.03	5	1E001523	02.37	3	1E002209	09.01	9
1E000915	05.03	2	1E001523	03.08	10	1E002211	09.03	22
1E000918	05.03	1	1E001524	03.02	13	1E002244	05.03	20
1E000969	05.01	1	1E001531	02.37	5	1E002250	09.03	8
1E000976	05.03	25	1E001532	02.47	7	1E002251	09.03	10
1E000977	05.03	24	1E001533	02.47	11	1E002444	04.07	15
1E000995	02.47	23	1E001540	02.33	1	1E002447	04.07	11
1E000998	02.45	1	1E001541	02.33	4	1E002450	04.07	8
1E001000	02.45	5	1E001542	02.47	9	1E002476	05.06	1
1E001005	04.04	9	1E001544	02.43	13	1E002505	03.02	21
1E001006	05.06	21	1E001547	02.47	38	1E002510	05.03	20
1E001016	02.45	19	1E001548	02.47	37	1E0031765	01.37	2
1E001017	02.45	20	1E001549	02.47	41	1E0032295	02.39	1
1E0010245	02.04	1	1E001551	02.07	14	1E003262	02.04	26
1E001059	05.03	29	1E001552	02.07	15	1E0032655	02.04	25
1E001060	05.03	9	1E001561	02.08	12	1E0032925	02.04	27
1E001061	05.03	10	1E0015625	02.02	25	1E0032935	02.04	28
1E001062	05.01	14	1E001563	02.06	19	1E003326	02.04	30
1E001063	05.01	15	1E001591	02.06	1	1E003329	02.04	29
1E0010715	02.04	3	1E001596	05.09	11	1E003412	02.32	13

Code	Nr. der Tafel	Pos.	Code	Nr. der Tafel	Pos.	Code	Nr. der Tafel	Pos.
1E003413	02.32	14	3130187Z07000	05.08	5	576542	02.39	14
1E003414	02.32	15	3132487Z02000	05.08	7	580141	06.02	22
1F000080	02.06	4	3132587Z01000	05.08	20	580188	06.04	2
1F000081	01.16	10	3354887Z01000	01.29	3	58115R	06.01	14
1F000082	01.06	18	3355587Z02000	01.29	2	5811787Z01000	02.02	45
1F000083	01.33	17	4334587507000	04.01	3	5820487Z01000	02.02	32
1F000084	01.19	2	436695	02.02	41	5823187Z02000	02.29	3
1F000320	08.03	30	4476287Z02000	05.01	12	5824187Z02000	02.29	16
1F000321	08.03	29	4738287Z01000	02.29	13	5824287Z02000	02.29	17
1R000089	08.03	34	4754787Z06000	05.03	34	583480	02.04	5
1R000314	02.45	31	4807387Z01000	04.01	15	584004	06.02	14
1R000330	01.27	16	4807487Z02000	04.01	16	5852387Z01000	02.29	5
231284	06.01	15	4847087Z01000	04.03	6	5855887Z01030	02.35	2
241937	02.13	9	4855987Z01000	04.03	4	5862187Z02000	02.35	7
241937	06.06	6	4867487Z01000	04.01	14	5866987Z01000	02.35	6
248419	06.02	4	4868487502000	04.03	11	5882587Z01030	03.04	14
254485	01.38	17	487211	02.47	29	588302	01.25	10
254485	02.45	29	493434	01.25	8	588304	01.25	22
254485	02.47	5	493435	01.25	9	588305	01.25	21
254485	08.01	4	493801	02.03	16	588306	01.25	13
257134	06.04	4	493929	02.45	2	588307	01.25	13
257134	06.09	15	493930	02.45	4	588308	01.25	13
258469	02.44	2	493932	02.45	7	588309	01.25	13
259349	03.02	12	493933	02.45	3	588310	01.25	13
259830	02.29	21	493997	06.04	12	588311	01.25	13
260850	02.07	22	5170487Z01000	02.02	28	588312	01.25	13
260851	02.07	23	5213387Z01000	02.30	5	588313	01.25	13
260858	02.07	24	5213487Z01000	02.30	6	588314	01.25	13
261077	02.07	27	5290787Z03000	02.02	9	588315	01.25	13
261078	02.07	28	5375187Z01000	02.29	12	588316	01.25	14
261219	04.05	9	5382387Z01130	02.25	6	588317	01.25	16
261318	02.23	9	5509187Z02000	02.45	10	588318	01.25	17
261319	04.05	7	5509287Z02000	02.45	9	588319	01.25	24
261322	01.29	12	5510387Z03000	02.29	14	588320	01.25	25
261322	05.06	18	5552587Z01000	03.02	27	588321	01.25	26
261322	05.06	5	5612187Z01000	02.25	13	588322	01.25	27
261322	06.06	4	564005	02.39	43	588323	01.25	28
261323	02.08	18	564005	02.47	32	588324	01.25	29
261336	03.06	28	564878	02.23	5	588325	01.25	30
262125	02.06	14	565195	02.25	4	588326	01.25	30
262125	05.01	2	56535R	02.14	1	588327	01.25	30
262128	05.08	6	56536R	02.14	2	588328	01.25	30
2624805	03.06	29	565429	03.02	17	588329	01.25	30
262836	06.04	24	565429	03.04	17	588330	01.25	30
2632315	02.03	21	56581R	02.26	6	588331	01.25	30
263695	02.43	6	56582R	02.26	5	588332	01.25	30
263740	06.04	23	56588R	04.06	2	588333	01.25	30
263750	06.04	22	56588R	04.07	14	588334	01.25	30
263961	02.35	5	56588R	04.07	14	588335	01.25	31
263962	02.35	4	56601R	04.06	1	588336	01.25	32
264450	05.03	38	56601R	04.07	13	588337	01.25	34
264451	01.25	47	56601R	04.07	13	588338	01.25	35
264454	05.03	35	566063	06.09	19	588339	01.25	36
264462	02.06	5	5660835	02.25	5	588341	01.25	40
264646	02.45	25	5660845	02.25	7	588342	01.25	41
264878	04.01	6	56610R	02.23	28	588343	01.25	44
264878	04.03	10	56610R	02.24	1	588350	01.25	5
264886	02.04	6	566260	06.02	5	588352	01.25	3
264886	02.20	37	566300	02.30	17	588353	01.25	6
272836	03.02	5	566568	06.02	8	588354	01.25	18
272836	08.01	3	566737	02.30	27	588355	01.25	19
272836	08.03	27	566819	04.07	7	588356	01.25	20
289690	01.38	23	566819	04.07	7	588363	01.25	38
292022	06.02	13	566864	02.33	10	588364	01.25	39
294353	06.02	12	567427	08.01	19	588365	01.25	42
296170	02.25	21	5713387Z01000	02.02	12	588371	01.25	43
296170	03.04	16	576464	02.32	3	588372	01.25	45

Code	Nr. der Tafel	Pos.	Code	Nr. der Tafel	Pos.	Code	Nr. der Tafel	Pos.
600699M	06.04	1	6413587Z01000	02.03	15	6786187Z01000	02.07	32
6102387Z14000	02.03	6	641458	06.04	3	6821487502000	02.07	35
6102487Z14000	02.03	7	6419187Z01000	02.03	3	6861087Z01000	02.07	8
6102787Z01000	02.03	1	6419287Z01000	02.03	13	6871087Z01000	02.26	1
6102887Z02000	02.03	4	643452	06.02	28	6921087Z01000	02.08	16
6121187Z02000	02.03	10	644286	05.06	12	6922087Z01000	02.08	17
6121287Z02000	02.03	11	644286	06.04	6	6927087Z01000	02.08	1
612197	02.47	8	644300	03.02	28	6927987Z01000	02.08	3
612198	02.47	10	645434	06.12	6	6928087Z01000	02.08	2
612279	02.45	14	645435	06.12	5	6928587Z01000	02.26	4
6123187Z04000	02.03	12	645436	06.12	4	6971187Z01000	02.08	6
6123287Z03000	02.03	14	645581	06.04	10	6971287Z01000	02.08	7
612476	08.03	11	6483187Z01000	02.25	22	6974787Z01000	02.08	19
612496	02.47	19	651886	06.02	7	6975987Z01000	02.08	8
612499	02.47	15	651928	05.06	2	709052	02.20	24
612500	02.47	13	652234	03.06	22	709077	08.01	25
612500	02.47	18	656003	02.39	12	709116	02.13	13
612501	02.47	17	658155	04.03	5	709677	02.43	10
612502	02.47	20	658278	05.03	32	709677	02.43	16
612504	02.47	46	658279	05.03	33	7137087Z01000	02.33	8
612505	02.47	45	658842	02.33	6	7197387Z01030	02.33	14
6126187Z01000	02.03	8	658842	06.12	8	7431087Z02030	02.13	3
6126287Z01000	02.03	9	658970	06.02	1	7461787Z01030	02.13	15
6130187Z01000	02.03	20	658971	06.02	2	7555187Z03000	02.16	4
6130287Z01000	02.03	22	658987	02.30	22	7661987Z02000	02.02	2
613276	03.02	8	658999	02.37	4	7662187Z01000	02.02	5
613319	05.01	5	659730	06.01	22	7714187Z01000	02.39	18
613323	03.02	2	659736	08.03	3	7801387Z01000	05.09	3
613323	03.02	22	659736	09.03	13	7810187Z01000	05.09	6
613326	03.02	14	660522	06.04	13	7811987Z01000	05.09	5
613678	03.02	34	660652	08.01	11	7818787Z01000	05.09	10
613679	03.02	33	660673	08.01	21	813286	09.01	30
613694	02.15	3	660674	08.01	22	8260087538000	06.09	1
613767	02.26	3	660684	08.01	37	8261087510000	06.09	4
613813	03.02	3	660684	09.01	7	8271587Z04000	06.09	7
613839	02.37	11	660704	06.12	9	834187	02.02	43
613839	06.04	9	660705	06.12	10	834187	02.18	12
613842	02.37	6	660710	09.01	20	834187	02.18	17
613843	02.37	8	660710	09.01	24	834187	02.28	3
6142587Z01000	02.03	18	661047	02.26	9	834187	04.07	5
6142687Z01000	02.03	19	661048	02.26	10	834187	04.07	5
614692	04.04	11	661064	02.02	14	837067	01.25	2
614765	04.04	7	661064	02.02	42	837068	01.25	37
614772	03.02	19	661065	08.01	29	837069	01.25	33
614794	03.02	7	661065	08.01	38	837070	05.07	1
614797	02.45	17	661065	09.01	8	837071	05.07	2
614826	02.45	28	661140	08.01	35	837072	05.07	3
615091	05.06	4	661142	08.01	2	837073	05.07	4
615093	03.04	13	661143	08.01	1	837074	05.07	5
615094	02.37	7	661144	08.01	20	837075	05.07	7
615100	02.45	12	661145	08.01	13	837076	05.07	6
615392	06.01	13	661146	08.01	8	837077	05.07	8
615430	03.04	15	661159	09.01	32	837078	05.07	9
615484	06.08	3	661162	09.01	33	837079	05.07	10
615895	06.12	3	662510	02.08	14	837080	05.07	11
615897	06.12	11	6633187Z01000	02.18	33	837081	05.07	12
615902	06.12	12	6633287Z01000	02.18	34	837082	05.07	13
615917	02.07	14	6700187Z01000	02.07	1	837083	05.07	14
615918	02.07	15	6700287Z01000	02.07	3	837146	05.03	41
615932	02.33	3	6701187Z01000	02.07	2	837187	05.04	7
620356	06.04	25	6701287Z01000	02.07	4	837191	05.04	1
620970	02.20	10	6740387Z01000	02.07	11	837192	05.04	2
620970	02.20	5	6740487Z01000	02.07	12	837193	01.25	12
623770	06.13	5	6777187Z01000	02.07	16	837194	01.25	15
6241387Z01000	02.07	6	6781187Z01000	02.07	21	837195	01.25	15
6311187Z01000	02.15	1	6783187Z01000	02.07	18	837196	01.25	15
6313287Z01000	02.15	2	6783287Z01000	02.07	20	837197	01.25	15

Code	Nr. der Tafel	Pos.	Code	Nr. der Tafel	Pos.	Code	Nr. der Tafel	Pos.
837198	01.25	15	9004508227000	05.09	7	B000051	02.02	38
837199	01.25	15	9004508350000	05.08	9	B000066	02.36	3
837200	01.25	15	9004508351000	05.08	19	B000067	04.05	5
837201	01.25	15	9004530013000	02.35	3	B000068	04.05	2
837202	01.25	15	9004540073000	02.06	8	B000071	02.04	16
837203	01.25	15	9004540074000	02.06	10	B0000805	02.02	4
837204	01.25	15	9004540166000	05.08	4	B000092	04.03	3
837205	01.25	15	9004541144000	02.04	20	B000100	04.04	3
837206	01.25	15	9004871138000	06.02	24	B000137	04.06	4
837207	01.25	23	9004874011000	02.29	18	B000142	04.06	6
8423087504000	02.13	5	9004874013000	02.02	30	B000142	04.06	7
848341	02.23	8	9004902019000	04.06	8	B000143	04.06	6
850657	02.24	10	9004915043000	01.25	4	B000143	04.06	7
850658	02.24	11	9004922167000	05.04	5	B000144	04.06	5
857008	08.03	7	9111261035000	01.37	3	B000149	02.36	4
8723287202000	02.45	13	9117171255000	04.03	12	B000182	02.20	39
874554	09.03	17	9161160612000	02.39	45	B000202	04.07	1
874747	02.47	30	9161160612000	05.01	18	B000202	04.07	1
877136	02.36	9	9161160612000	05.03	12	B000210	02.20	2
889637	02.47	31	9161160612000	05.06	11	B000213	02.18	31
9004101534000	05.03	39	9161160612000	05.06	8	B000218	02.23	22
9004101609000	01.25	7	9161160614000	05.08	12	B000221	02.23	27
9004119260000	01.38	16	9161160816000	02.47	43	B000223	02.18	24
9004119260000	01.38	27	9162140610000	02.03	5	B000224	02.18	4
9004119260000	02.45	23	9162140610000	02.07	7	B000225	02.18	18
9004119260000	02.47	4	9162140610000	02.26	7	B000227	02.20	12
9004119260000	06.12	16	9162140614000	02.07	9	B000227	02.20	23
9004119341000	02.02	7	9165140616000	02.47	39	B000275	02.18	14
9004119341000	02.07	13	9165140616000	08.03	15	B000278	02.18	20
9004119537000	03.02	6	9165140814000	02.44	5	B000280	02.18	7
9004119620000	02.26	2	9165140814000	02.47	6	B000281	02.18	8
9004151029000	02.08	15	9165140816000	02.33	9	B000288	02.18	6
9004159230000	02.25	10	9165140816000	09.03	23	B000289	02.18	15
9004159230000	06.02	25	9165141025000	02.04	19	B000294	02.23	10
9004159230000	06.02	3	9165141025000	02.31	6	B000296	02.18	13
9004159431000	05.09	9	9165160616000	02.04	22	B000303	02.18	27
9004171003000	03.06	27	9165160620000	02.47	16	B000306	02.18	25
9004178043000	03.06	20	9165160620000	02.47	25	B000307	02.18	28
9004179075000	04.03	9	9165160620000	05.01	6	B000313	02.18	9
9004179187000	01.37	4	9165160820000	08.03	25	B000314	02.18	22
9004189001000	06.04	16	9352014014000	02.04	21	B000315	02.20	26
9004201291000	02.06	7	9354054012000	03.02	29	B000315	02.20	8
9004201638000	03.06	21	9354056020000	02.08	13	B000317	02.18	30
9004208030000	06.04	18	9356055012000	06.04	21	B000318	02.23	12
9004210027000	03.06	26	9356715014000	02.47	21	B000337	02.20	6
9004240142000	05.08	26	9356755016000	03.02	31	B000339	02.20	3
9004341011000	02.39	2	9356855012000	02.30	21	B000340	02.20	4
9004341070000	01.25	11	9412040800000	01.29	9	B000341	02.20	7
9004386101000	04.03	7	9451201000000	01.25	48	B000344	02.23	1
9004386115000	05.08	8	9451201000000	04.01	19	B000358	05.06	26
9004386116000	01.29	4	9461310800000	01.29	7	B000379	04.04	4
9004386117000	01.29	6	9616000800000	05.09	4	B000381	02.31	2
9004389104000	03.06	25	9671119014000	01.29	5	B000409	02.24	2
9004430236000	05.03	42	967356	02.04	14	B000424	02.24	4
9004446371000	02.39	5	967356	02.20	38	B000425	02.24	5
9004461420000	05.09	14	967363	02.18	26	B000426	02.24	6
9004461420000	06.09	6	967363	02.20	13	B000427	02.24	7
9004462157000	02.39	38	967363	02.20	28	B000428	02.24	8
9004462322000	01.38	18	967363	03.06	5	B000433	02.24	3
9004462324000	05.09	15	AP8150073	06.12	2	B000434	02.24	9
9004464190000	06.09	9	AP8150088	02.23	2	B000436	02.23	30
9004464240000	06.09	21	AP8152220	08.01	17	B000466	03.06	10
9004464484000	06.09	8	B0000015	02.02	6	B000468	05.08	18
9004465038000	05.06	10	B000032	04.05	16	B000485	05.08	3
9004467305000	02.39	7	B000045	02.02	36	B000497	03.08	7
9004467361000	02.43	19	B000046	02.02	35	B000504	03.06	7
9004480378000	05.01	13	B000050	02.02	39	B000505	03.06	8

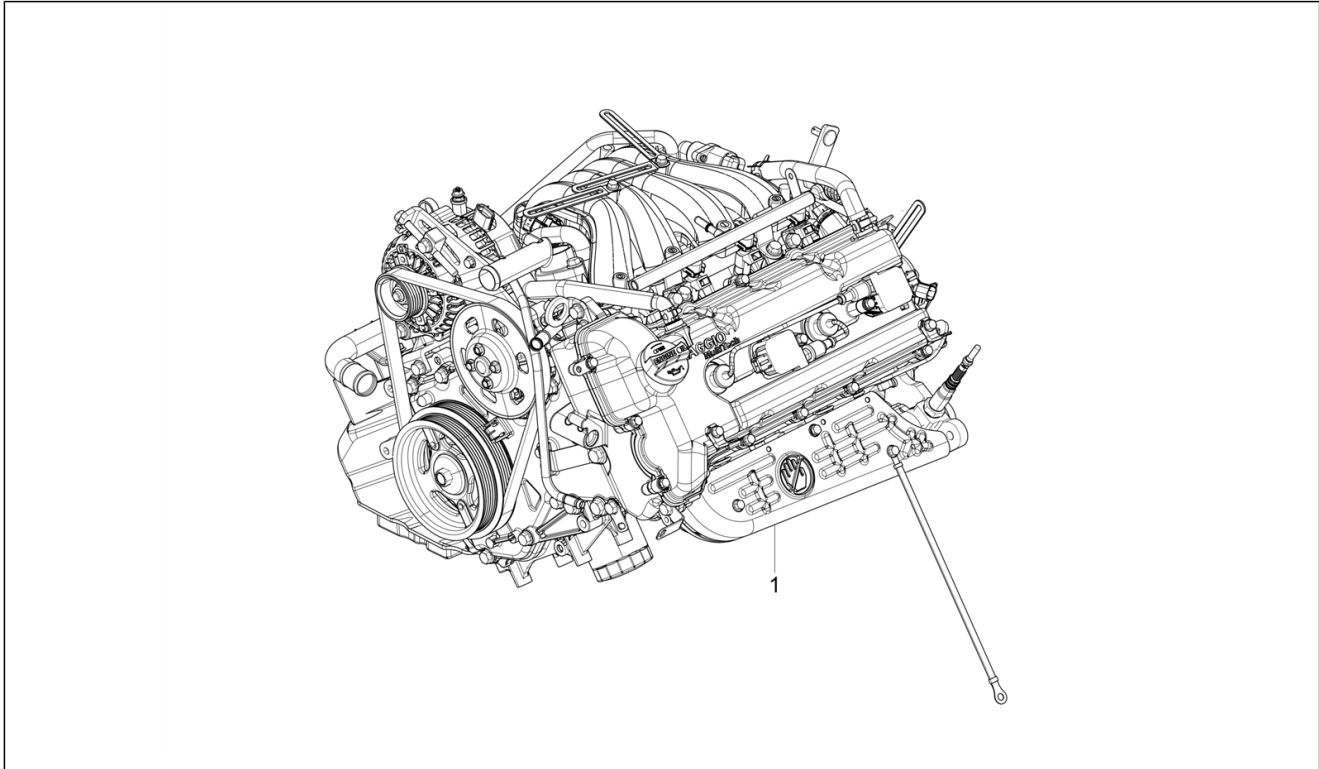
Code	Nr. der Tafel	Pos.	Code	Nr. der Tafel	Pos.	Code	Nr. der Tafel	Pos.
B000508	03.06	2	B004264	02.20	15	B004999	02.39	4
B000513	02.45	16	B004264	02.20	31	B005007	01.37	5
B000516	03.08	5	B004264	02.20	34	B005023	02.39	12
B000525	04.04	12	B004275	03.08	6	B005027	06.01	12
B000605	02.18	21	B004278	06.01	7	B005028	02.39	19
B000608	02.20	30	B0042833	02.08	9	B005030	05.06	24
B000608	02.20	9	B0042843	02.08	10	B005030	05.06	9
B000622	02.23	23	B004315	03.04	6	B005051	02.43	25
B000625	02.23	3	B004316	03.04	8	B005053	01.29	21
B000702	04.05	3	B004317	03.04	5	B005054	01.29	15
B000705	02.23	13	B004318	03.04	9	B005055	01.29	20
B000705	02.23	19	B004319	03.04	12	B005056	01.29	22
B000706	02.23	17	B004320	03.04	1	B005057	04.01	17
B000707	02.23	14	B004325	03.04	10	B005057	04.01	21
B000707	02.23	16	B004342	04.03	8	B005119	06.04	26
B000714	02.23	18	B004448	04.07	10	B005150	06.03	2
B000717	02.23	11	B004453	01.29	10	B005151	06.03	1
B000720	02.23	15	B004459	03.04	4	B005152	06.03	7
B000722	04.07	8	B004461	06.13	9	B005153	06.03	11
B000810	05.06	17	B004463	06.13	11	B005154	06.03	4
B000822	02.25	17	B004464	06.13	7	B005155	06.03	3
B000823	02.25	18	B004491	02.07	14	B005156	06.03	8
B000831	02.30	15	B004492	02.07	15	B005157	06.03	10
B000832	02.30	19	B004506	02.47	12	B005202	01.37	8
B000833	02.30	3	B004554	02.32	6	B005203	01.37	6
B000835	02.30	4	B004564	02.13	4	B005205	01.38	2
B000836	02.30	18	B004567	02.32	8	B005209	01.38	5
B000839	02.30	11	B004568	02.32	7	B005218	01.37	1
B000843	06.02	10	B004570	02.13	6	B005254	02.39	29
B000875	05.06	7	B004571	02.13	7	B005269	02.39	22
B000881	02.25	16	B004583	06.04	27	B005277	02.39	17
B000882	02.25	15	B004605	02.31	1	B005278	02.39	15
B000883	02.25	14	B004614	02.32	1	B005279	02.39	12
B000892	05.01	7	B004615	02.32	2	B005285	02.39	30
B000893	05.01	8	B004620	02.32	5	B005286	02.39	31
B000898	02.02	26	B004629	02.13	10	B005286	02.39	32
B000932	03.08	1	B004678	03.06	14	B005310	02.36	5
B000933	03.08	2	B004679	03.06	17	B005325	02.13	1
B000934	03.08	3	B004680	03.06	18	B005327	02.25	20
B000935	03.08	4	B004694	03.06	16	B0053285	02.02	20
B000937	06.02	6	B004700	06.09	22	B0053295	02.02	17
B000944	02.30	16	B004713	04.06	3	B005337	02.32	10
B000945	02.30	14	B004723	06.01	6	B005338	02.32	9
B000949	02.30	20	B004729	06.09	14	B0053475	02.02	19
B000961	02.36	1	B004730	06.02	18	B005352	01.29	25
B000962	02.36	2	B004745	02.02	15	B005352	05.06	13
B000965	02.30	10	B004806	06.02	20	B005354	05.03	16
B000966	02.30	12	B004807	06.02	19	B005354	05.04	6
B000973	03.02	30	B004808	06.02	21	B005363	03.02	25
B000979	06.02	23	B004809	06.02	15	B005363	03.02	26
B000985	02.30	24	B004810	06.02	16	B005372	02.43	3
B004002	04.07	9	B004811	06.02	17	B005553	01.38	25
B004002	04.07	9	B004820	03.06	15	B005561	02.39	33
B004017	04.05	8	B004821	03.06	19	B005623	02.23	7
B004111	03.08	11	B004822	03.06	32	B005629	04.04	17
B004123	03.08	13	B004823	03.06	30	B005629	05.06	20
B004124	03.08	12	B004824	03.06	31	B005630	02.02	24
B004140	04.04	16	B004825	03.06	24	B005631	02.02	21
B004148	03.06	12	B004826	03.06	23	B005643	02.47	14
B004248	09.01	29	B004827	03.06	13	B005644	02.47	22
B004249	02.30	2	B004853	03.02	23	B005658	02.13	11
B004249	02.30	29	B004913	02.20	25	B005660	01.38	3
B004250	02.30	13	B004937	02.20	43	B005661	01.38	4
B004252	02.29	19	B004945	02.20	1	B005663	01.38	1
B004254	02.29	20	B004981	04.05	13	B005672	01.38	20
B004258	03.02	21	B004982	01.38	15	B005687	05.08	11
B004262	02.13	14	B004998	02.39	6	B005688	01.38	40

Code	Nr. der Tafel	Pos.	Code	Nr. der Tafel	Pos.	Code	Nr. der Tafel	Pos.
B005700	06.01	11	B007705	02.36	7	B010322	01.27	46
B005705	06.13	8	B007829	05.01	11	B010323	01.27	45
B005710	02.31	10	B007881	06.01	5	B010330	01.27	34
B005727	08.03	8	B007882	06.01	2	B010330	01.27	38
B005727	09.03	18	B007883	06.01	1	B010331	01.27	37
B005774	08.01	36	B007884	06.01	4	B010332	01.27	35
B005775	08.01	33	B007884	06.01	4	B010333	01.27	36
B005781	08.03	2	B007885	06.01	9	B010338	01.27	47
B005789	08.03	20	B007889	06.01	8	B010427	02.06	12
B005790	08.03	21	B007890	06.01	3	B010452	01.27	49
B005790	08.03	22	B007906	02.35	1	B010454	01.27	51
B005794	08.01	34	B007907	02.36	6	B010456	01.27	53
B005795	08.01	23	B007908	02.36	10	B010459	01.27	7
B005801	09.01	25	B007913	02.36	8	B010462	01.27	8
B005802	09.01	34	B007929	09.01	36	B010463	01.27	6
B005809	09.01	16	B007930	09.01	35	B010464	01.27	5
B005810	09.01	21	B007931	09.01	37	B010484	01.28	20
B005811	09.01	43	B007932	09.01	41	B010487	01.26	4
B005903	02.39	24	B007933	09.01	42	B010487	01.28	23
B005906	06.01	18	B007935	09.01	1	B010492	01.28	6
B005907	03.02	1	B007939	09.01	13	B010493	01.28	17
B005909	03.02	9	B007949	09.01	4	B010496	01.28	18
B005915	03.06	1	B007955	09.01	2	B010499	01.28	11
B0060535	02.02	22	B010018	01.06	19	B010500	01.28	16
B006164	04.05	1	B010018	01.19	6	B010501	01.28	12
B006169	06.12	1	B010018	01.33	22	B010502	01.28	13
B007004	01.37	7	B010018	01.33	5	B010506	01.28	8
B0070125	02.02	29	B010073	01.04	13	B010885	01.27	19
B0071125	02.29	2	B010073	01.06	21	B010895	01.27	39
B007118	05.03	18	B010073	01.10	7	B010896	01.27	48
B007132	02.45	26	B010073	06.05	5	B010929	01.27	15
B007136	05.09	12	B010079	01.14	5	B010931	01.28	22
B007147	02.45	27	B010079	01.16	11	B011560	01.27	33
B007157	03.04	18	B010101	01.14	13	B011561	01.27	14
B007158	02.45	24	B010101	01.16	12	B023088	02.39	9
B007162	02.30	25	B010101	01.16	31	B023106	02.45	6
B007163	02.30	26	B010101	01.19	7	B023121	02.39	1
B007207	02.06	17	B010110	01.14	12	B023206	06.13	2
B007229	02.16	1	B010221	01.14	11	B023214	02.43	35
B007230	02.16	3	B010221	01.16	4	B023215	02.43	7
B007231	02.16	2	B010221	01.19	8	B023289	05.08	23
B007234	02.32	4	B010231	01.14	9	B023311	02.43	26
B007247	05.03	17	B010231	01.19	4	B023318	06.12	13
B007293	01.29	1	B010255	01.26	3	B0233195	02.02	23
B007324	02.25	12	B010256	01.26	6	B023321	02.43	31
B007327	02.25	23	B010262	01.26	22	B023323	02.02	37
B007338	02.07	25	B010262	01.26	8	B023330	02.43	29
B007339	02.07	26	B010269	01.26	11	B023333	02.39	13
B007348	05.01	17	B010274	01.26	16	B023349	02.43	24
B007353	06.04	5	B010275	01.26	15	B023352	02.18	36
B007471	02.18	10	B010277	01.26	21	B023357	02.43	32
B007473	02.18	11	B010279	01.26	23	B023371	02.47	44
B007474	02.18	2	B010284	01.26	24	B0234385	02.02	34
B007475	02.18	3	B010287	01.30	8	B023563	02.23	6
B007479	02.18	1	B010288	01.30	7	B025105	06.13	10
B007479	02.18	19	B010292	01.30	2	B025178	02.28	5
B007480	02.18	23	B010294	01.30	4	B025179	02.28	5
B007493	02.20	20	B010296	01.27	2	B025739	02.20	19
B007496	02.20	18	B010297	01.27	1	B0259505	06.04	15
B007502	02.20	44	B010298	01.27	10	B0259535	06.04	19
B007554	04.01	2	B010299	01.27	11	B025954	02.37	9
B007555	04.01	13	B010305	01.27	13	B026114	02.43	2
B007665	04.01	5	B010306	01.27	22	B026153	02.14	3
B007665	04.05	6	B010308	01.27	20	B026177	02.43	1
B007687	02.28	1	B010311	01.27	12	CM001907	02.45	22
B007689	02.28	4	B010314	01.27	27	CM001909	02.43	21
B007695	02.28	1	B010319	01.27	28	CM001915	02.43	15

Code	Nr. der Tafel	Pos.	Code	Nr. der Tafel	Pos.	Code	Nr. der Tafel	Pos.
CM013203	08.03	31	CM282470	01.08	16	D9004461193	02.39	37
CM017403	03.02	16	CM282472	01.08	16	D9004461193	05.08	14
CM017405	06.13	6	CM282474	01.08	16	D9004461389	06.09	16
CM017408	06.01	17	CM282476	01.08	16	D9004461419	06.09	20
CM017414	02.30	32	CM282478	01.08	16	D9004461423	01.29	24
CM017817	02.39	41	CM282480	01.08	16	D9004461423	05.09	13
CM022202	01.29	27	CM282482	01.08	16	D9004461432	05.03	14
CM037402	04.06	7	CM282484	01.08	16	D9004461432	05.08	16
CM037403	04.06	7	CM282486	01.08	16	D9004461468	05.03	8
CM037404	04.06	7	CM282488	01.08	16	D9004463232	02.29	11
CM037405	04.06	7	CM301903	06.06	3	D9004464092	06.09	18
CM037406	04.06	7	CM301904	06.06	3	D9004464157	02.39	20
CM037407	04.06	7	CM301905	06.06	3	D9004464482	06.04	8
CM037408	04.06	7	D4445787Z01	02.29	6	D9004464629	02.39	21
CM037409	04.06	7	D4804187Z02	04.05	12	D9004467076	02.25	9
CM037410	04.06	7	D5171887Z01	02.02	18	D9004467161	05.01	9
CM037411	04.06	7	D5371187Z06	02.02	16	D9004467190	02.39	23
CM037412	04.06	7	D5375287Z01	02.29	10	D9004467190	09.03	7
CM037601	02.18	35	D5375387Z01	02.29	7	D9004467361	02.45	21
CM037602	02.18	37	D5382187Z01	02.25	8	D9004467449	02.43	8
CM038101	01.25	46	D5512787Z01	02.29	9	D9004468200	02.30	7
CM038401	02.33	2	D5515287Z01	05.03	30	D9004480352	02.08	20
CM038402	02.33	5	D5574187Z01	02.25	3	D9004480595	02.44	1
CM039704	02.47	35	D5711687Z03	02.02	33	D9004480596	02.43	33
CM039705	02.47	47	D5713487Z01	02.02	13	D9004540022	05.03	15
CM039904	02.47	42	D5822387Z025	02.02	27	D9004560252	02.06	9
CM256203	05.08	10	D5822487Z02	02.02	31	D9004871098	02.29	22
CM2648015	04.03	15	D5823287Z015	02.29	4	D9004874004	02.03	2
CM2648025	04.03	15	D5837987Z01	02.29	8	D9004874004	02.13	17
CM272703	06.06	12	D5862287Z01	02.35	8	D9004874004	02.18	32
CM272704	06.06	3	D6142287Z014	02.03	17	D9004874004	02.25	11
CM272705	06.06	12	D6740187Z01	02.07	5	D9161140814	06.04	14
CM272706	06.06	3	D6861787Z01	02.07	10	D9161160614	02.47	36
CM279501	06.05	1	D7555287Z03	02.16	5	D9161160816	05.03	28
CM279502	06.05	2	D8271587Z29	06.09	12	D9161160818	01.29	14
CM281401	02.07	30	D8723987Z02	02.25	2	D9163140616	03.02	4
CM281402	02.07	34	D9004101431	02.06	6	D9165140612	02.26	8
CM282410	01.08	16	D9004101583	04.01	11	D9165140612	02.43	14
CM282412	01.08	16	D9004101583	04.01	9	D9165140612	02.43	27
CM282414	01.08	16	D9004119494	04.04	5	D9165140612	06.09	13
CM282416	01.08	16	D9004119554	02.06	18	D9165140614	02.04	18
CM282418	01.08	16	D9004119655	02.39	25	D9165140614	02.30	8
CM282420	01.08	16	D9004159110	02.13	16	D9165140614	02.44	7
CM282422	01.08	16	D9004159188	02.08	11	D9165140614	05.09	2
CM282424	01.08	16	D9004159364	02.30	9	D9165140614	06.04	17
CM282426	01.08	16	D9004159410	02.02	3	D9165140616	01.38	19
CM282428	01.08	16	D9004168057	02.13	8	D9165140616	01.38	31
CM282430	01.08	16	D9004170152	04.05	19	D9165140616	02.39	26
CM282432	01.08	16	D9004170307	02.06	11	D9165140616	02.39	36
CM282434	01.08	16	D9004174001	02.43	28	D9165140616	02.43	12
CM282436	01.08	16	D9004179052	05.08	13	D9165140616	02.43	28
CM282438	01.08	16	D9004179081	02.02	8	D9165140616	05.03	11
CM282440	01.08	16	D9004179138	02.45	8	D9165140616	05.04	4
CM282442	01.08	16	D9004181008	02.02	11	D9165140616	05.08	15
CM282444	01.08	16	D9004183025	03.02	11	D9165140616	06.04	30
CM282446	01.08	16	D9004183025	03.02	20	D9165140616	06.06	5
CM282448	01.08	16	D9004183025	03.02	24	D9165140616	06.09	17
CM282450	01.08	16	D9004183025	03.02	32	D9165140616	08.01	31
CM282452	01.08	16	D9004183025	03.04	3	D9165140616	09.01	10
CM282454	01.08	16	D9004189019	02.08	5	D9165140620	06.04	11
CM282456	01.08	16	D9004189019	02.33	13	D9165140820	02.02	10
CM282458	01.08	16	D9004201542	04.01	18	D9165140820	02.30	23
CM282460	01.08	16	D9004209143	04.05	17	D9165160610	05.03	13
CM282462	01.08	16	D9004209144	04.05	14	D9165160618	01.29	26
CM282464	01.08	16	D9004209144	04.05	15	D9165160618	01.38	39
CM282466	01.08	16	D9004243017	01.29	23	D9165160618	05.06	23
CM282468	01.08	16	D9004430120	02.39	3	D9165160618	06.06	10

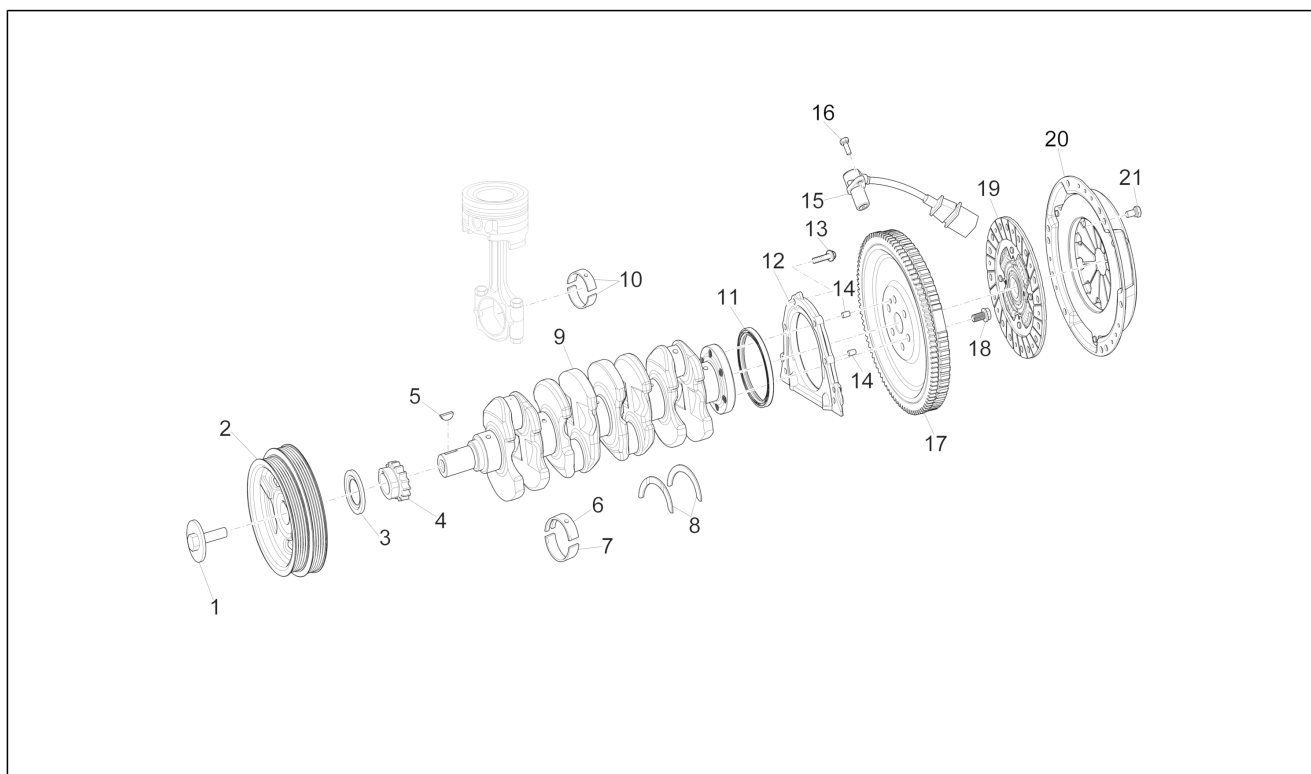
Code	Nr. der Tafel	Pos.
D9165160820	05.08	2
D9165160820	09.03	3
D9165160822	05.06	3
D9165160825	02.06	13
D9165160830	05.03	31
D9166140612	01.29	11
D9166140612	02.29	15
D9166140616	02.43	30
D9166140616	02.45	15
D9327056012	02.33	11
D9327056012	03.06	9
D9331515010	06.02	11
D9338116008	05.06	16
D9338315020	06.09	3
D9353055012	02.08	4
D9356016014	02.33	12
D9356715014	01.38	14
D9356755014	02.30	31
D9356755014	02.45	11
D9356755014	03.02	10
D9356755014	03.04	2
D9356755014	06.02	9
D9411040600	05.06	6
D9411040800	05.08	22
D9411051000	04.05	10
D9411541200	04.05	20
D9411551200	04.01	7
D9411551200	04.03	14
D9411571200	04.01	10
D9451100800	01.29	8
D9451201200	04.01	4
D9451201200	04.01	8
D9451201200	04.03	13
D9453100800	05.08	21
D9461110800	01.29	17
D9461211001	04.01	20
D9461410800	01.29	16
D9461410800	05.08	25
D9622130705	05.01	19
D9622130705	05.03	7
D9622130705	05.04	3

Einheit	Motor
Code	01.01
Beschreibung	Motor, komplett
Inspektion	1



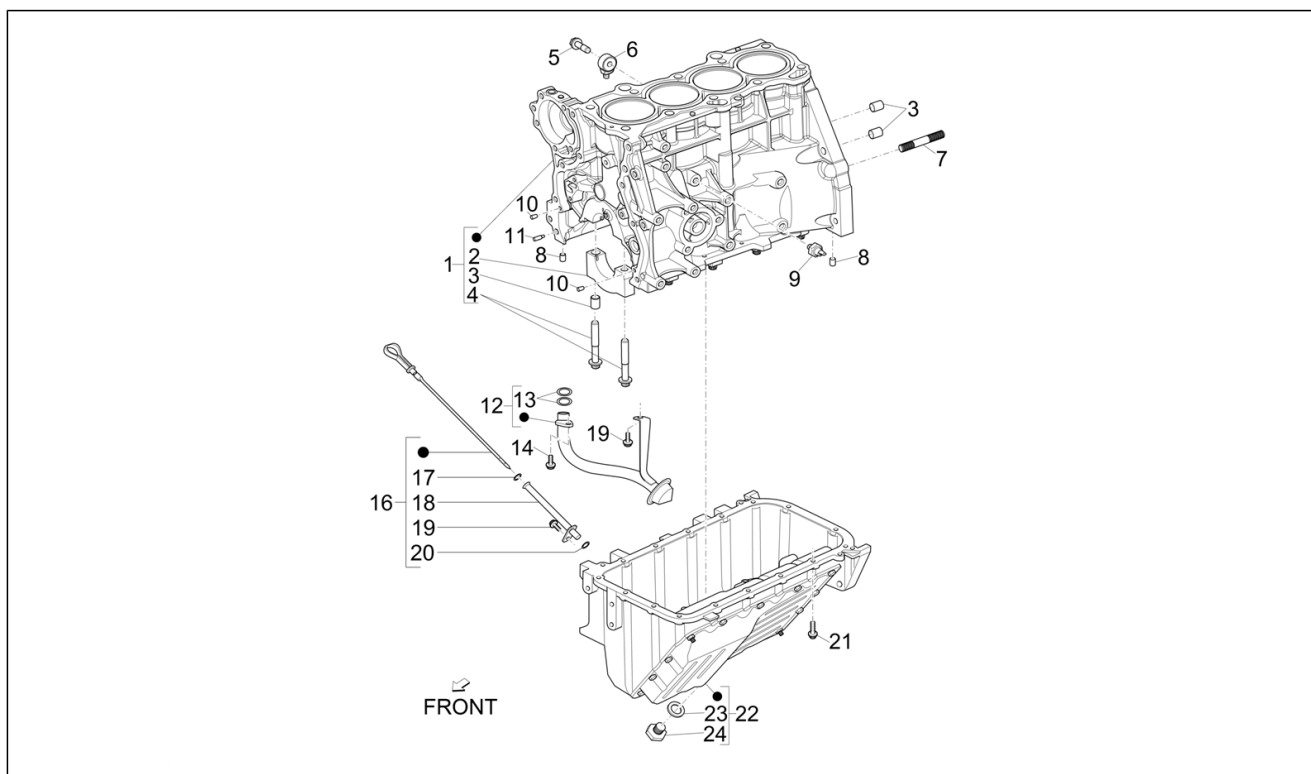
Pos.	Code	Beschreibung	Menge	Varianten
1	1A004891	Motor komplett 1300 Euro 6	1	
1	1A003791	Motor komplett 1300 Euro 6	1	

Einheit	Motor
Code	01.04
Beschreibung	Kurbelwelle
Inspektion	1



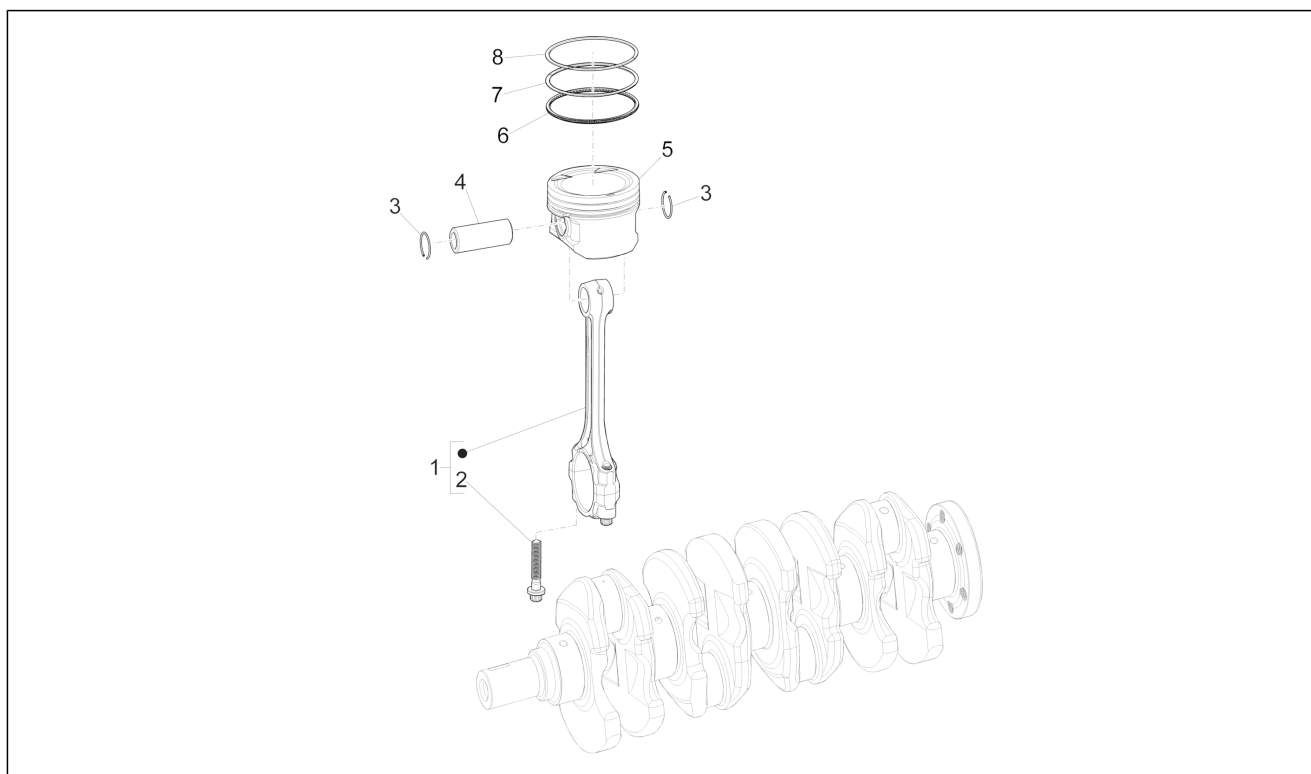
Pos.	Code	Beschreibung	Menge	Varianten
1	1A005655	Schraube Riemenscheibe Kurbelwelle	1	
2	1A005654	Riemenscheibe	1	
3	1A005656	Gasket ring	1	
4	1A005657	Ritzel	1	
5	1A005555	Scheibenfeder	1	
6	1A005553	Halbschale Kurbelwellenlager oben	5	
7	1A005552	Halbschale Kurbelwellenlager unten	5	
8	1A005554	Ausgleichsbuchse	2	
9	1A005556	Kurbelwelle komplett	1	
10	1A005160	Hauptlager Pleuelkopf	8	
11	1A005484	Gasket ring	1	
12	1A005485	Halterung Dichtring	1	
13	B010073	Sechskantschraube M6x25	6	
14	1A005479	Feststellschraube	3	
15	1A005633	Geschwindig.sensor	1	
16	1A005569	Sechskantschraube geflanscht	1	
17	1A005159	Schwungrad komplett	1	
18	1A005559	Schraube Schwungrad	6	
19	1A005148	Baugruppe Kupplungsscheibe	1	
20	1A005149	Baugruppe Kupplungsteller	1	
21	1A005560	Sechskantschraube mit Federring	6	

Einheit	Motor
Code	01.06
Beschreibung	Zylinderblock
Inspektion	1



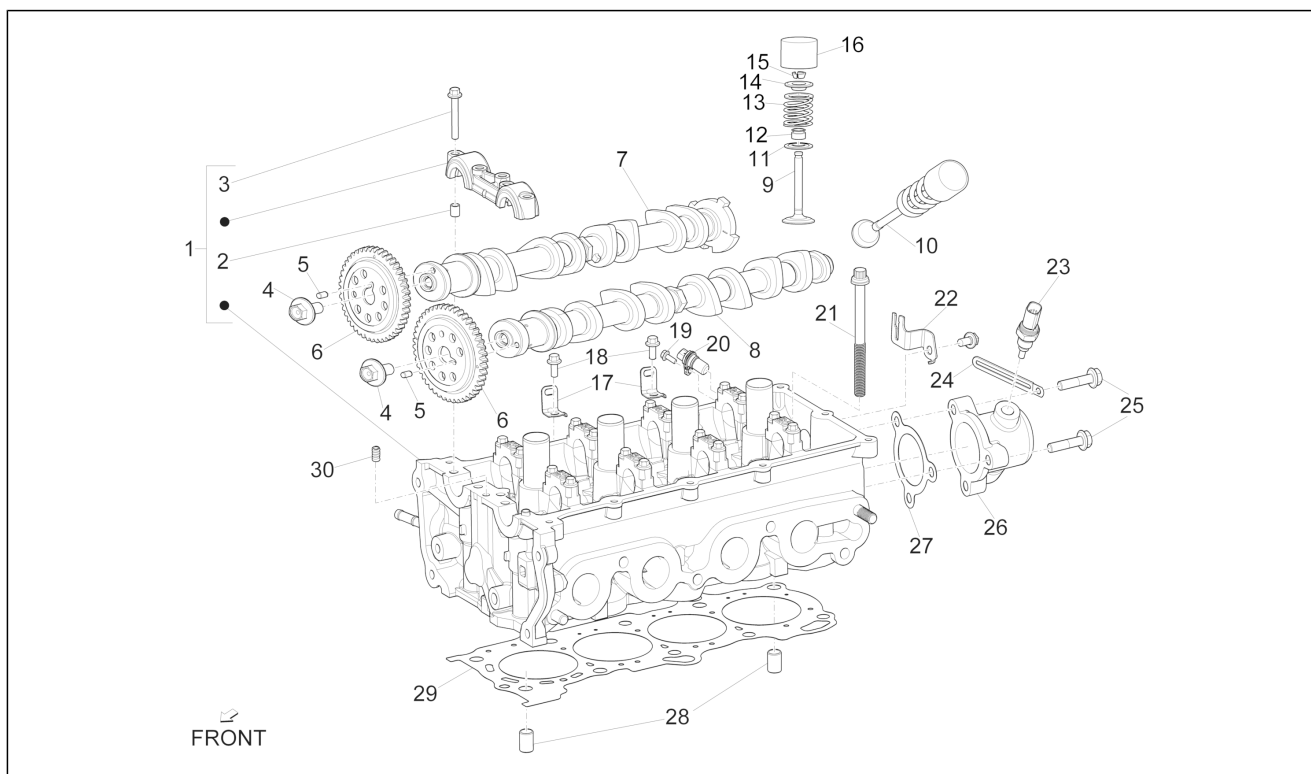
Pos.	Code	Beschreibung	Menge	Varianten
1	1A005475	Komplettes Kurbelgehäuse (4R)	1	
2	1A005476	Hauptlagerdeckel	5	
3	1A005477	Feststellschraube	5	
4	1A005486	Sechskantschraube geflanscht	10	
5	1A005482	Sechskantschraube mit Flansch M8x35	1	
6	1A005481	Klopfsensor	1	
7	1A005480	Stiftschraube	1	
8	1A005479	Feststellschraube	2	
9	1D001352	Öldrucksensor	1	
10	1A005479	Feststellschraube	2	
11	1A005483	Schmierdüse	1	
12	1A005611	Ölschwimmer komplett	1	
13	1A005612	Gasket ring	2	
14	1A005527	Sechskantschraube mit Flansch	1	
16	1A005177	Ölmesstab komplett	1	
17	1A005614	Dichtring (O-Ring)	1	
18	1F000082	Ölpeilstabrohr	1	
19	B010018	Sechskantschraube geflanscht M6x12	2	
20	1A005615	Dichtring (O-Ring)	1	
21	B010073	Sechskantschraube M6x25	16	
22	1A005613	Ölwanne kompl.	1	
23	1A005608	Dichtung	1	
24	1A005609	Deckel	1	

Einheit	Motor
Code	01.07
Beschreibung	Einheit Kolben
Inspektion	1



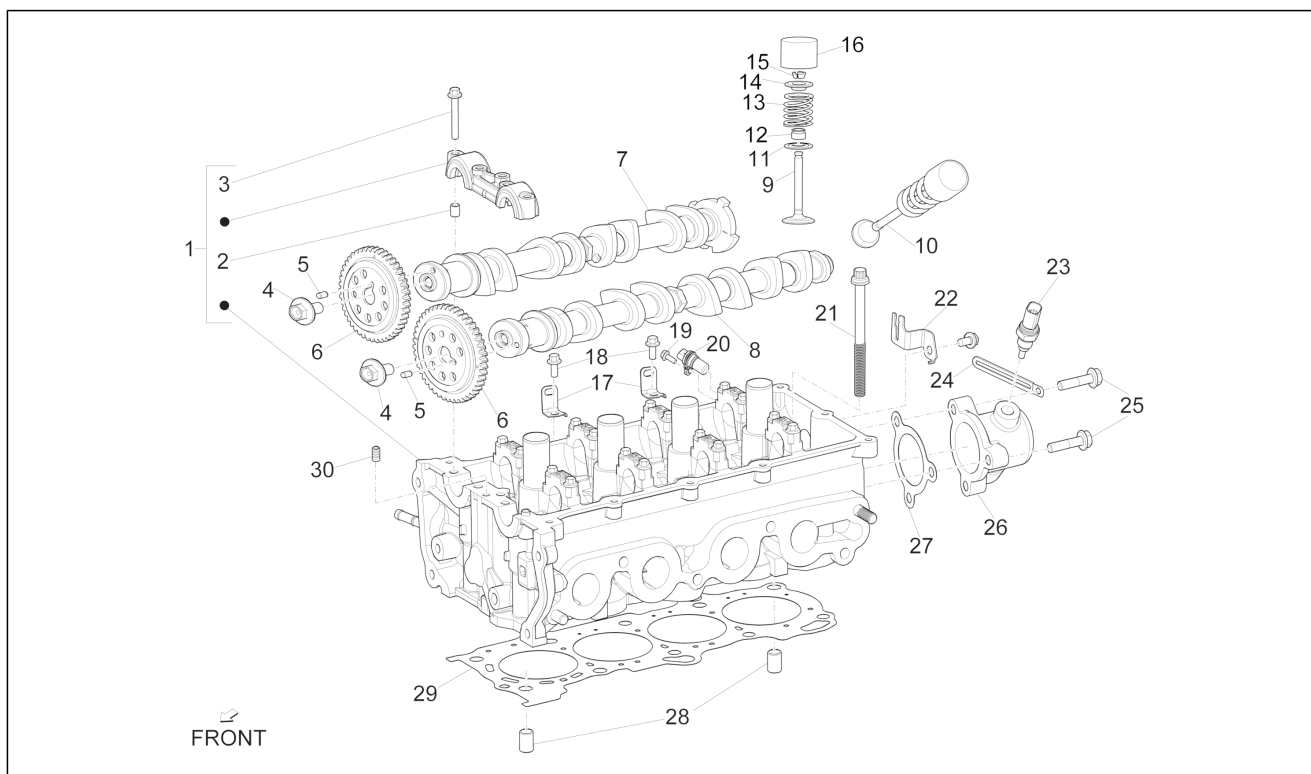
Pos.	Code	Beschreibung	Menge	Varianten
1	1A005558	Gekoppelte Pleuelstange	4	
2	1A005557	Schraube Pleuelfuß	8	
3	1A005492	Rückhaltering Kolbenbolzen	8	
4	1A005491	Bolzen	4	
5	1A005490	Kolben	4	
6	1A005493	Kompressionsring	4	
7	1A005494	Kompressionsring	4	
8	1A005495	Ölabstreifring	4	

Einheit	Motor
Code	01.08
Beschreibung	Einheit Kopf - Ventil
Inspektion	1



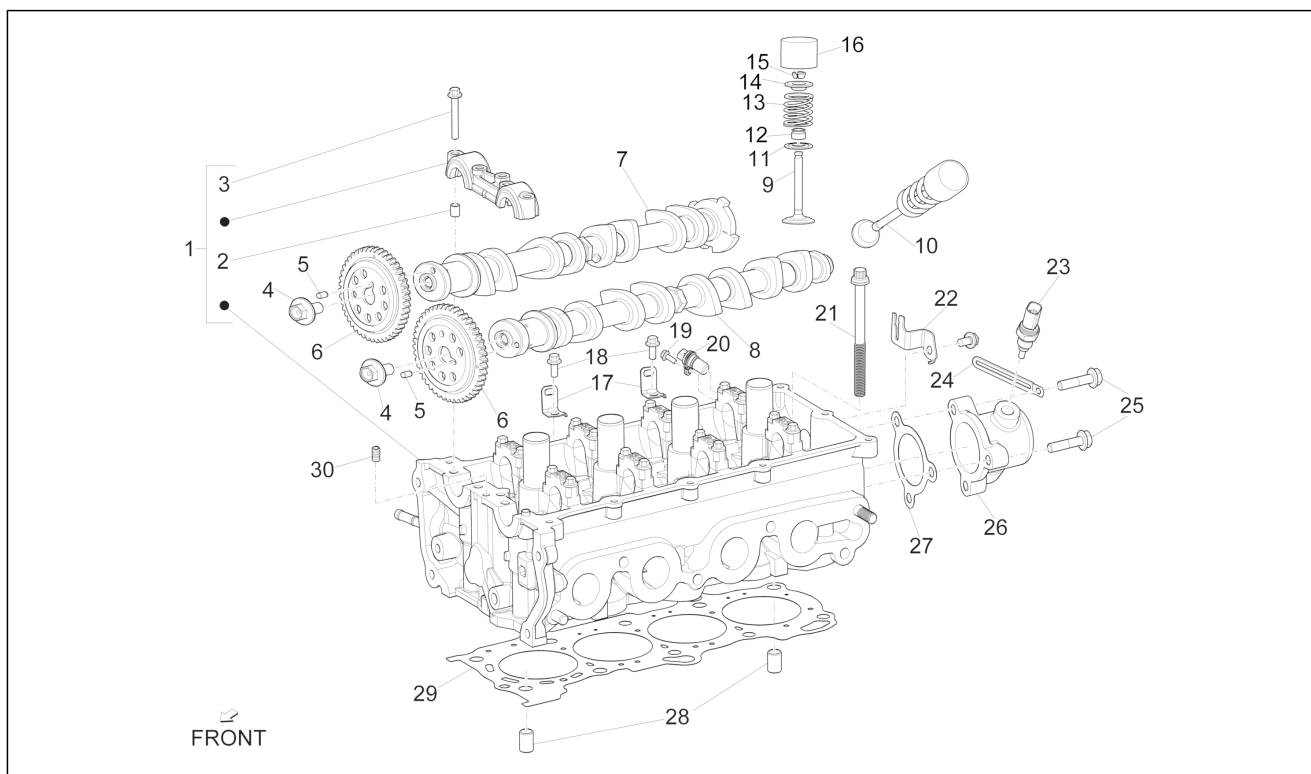
Pos.	Code	Beschreibung	Menge	Varianten
1	1A005496	Zylinderkopf	1	
2	1A005511	Feststellschraube	18	
3	1A005510	Sechskantschraube geflanscht M6x40	21	
4	1A005515	Sechskantschraube mit Flansch	2	
5	1A005516	Rolle	2	
6	1A005514	Ritzel Ventilsteuerung	2	
7	1A005512	Nockenwelle	1	
8	1A005513	Nockenwelle	1	
9	1A005499	Einlassventil	8	
10	1A005500	Auslassventil	8	
11	1A005502	Federteller unten	16	
12	1A005503	Ventil Dichtring	16	
13	1A005501	Ventilfeder	16	
14	1A005504	Federteller oben	16	
15	1A005505	Halbkegel	32	
16	CM282410	Ventilbecher kalibriert 3,10 mm	16	
16	CM282412	Ventilbecher kalibriert 3,12 mm	16	
16	CM282414	Ventilbecher kalibriert 3,14 mm	16	
16	CM282416	Ventilbecher kalibriert 3,16 mm	16	
16	CM282418	Ventilbecher kalibriert 3,18 mm	16	
16	CM282420	Ventilbecher kalibriert 3,20 mm	16	
16	CM282422	Ventilbecher kalibriert 3,22 mm	16	
16	CM282424	Ventilbecher kalibriert 3,24 mm	16	
16	CM282426	Ventilbecher kalibriert 3,26 mm	16	
16	CM282428	Ventilbecher kalibriert 3,28 mm	16	
16	CM282430	Ventilbecher kalibriert 3,30 mm	16	
16	CM282432	Ventilbecher kalibriert 3,32 mm	16	
16	CM282434	Ventilbecher kalibriert 3,34 mm	16	

Einheit	Motor
Code	01.08
Beschreibung	Einhait Kopf - Ventil
Inspektion	1



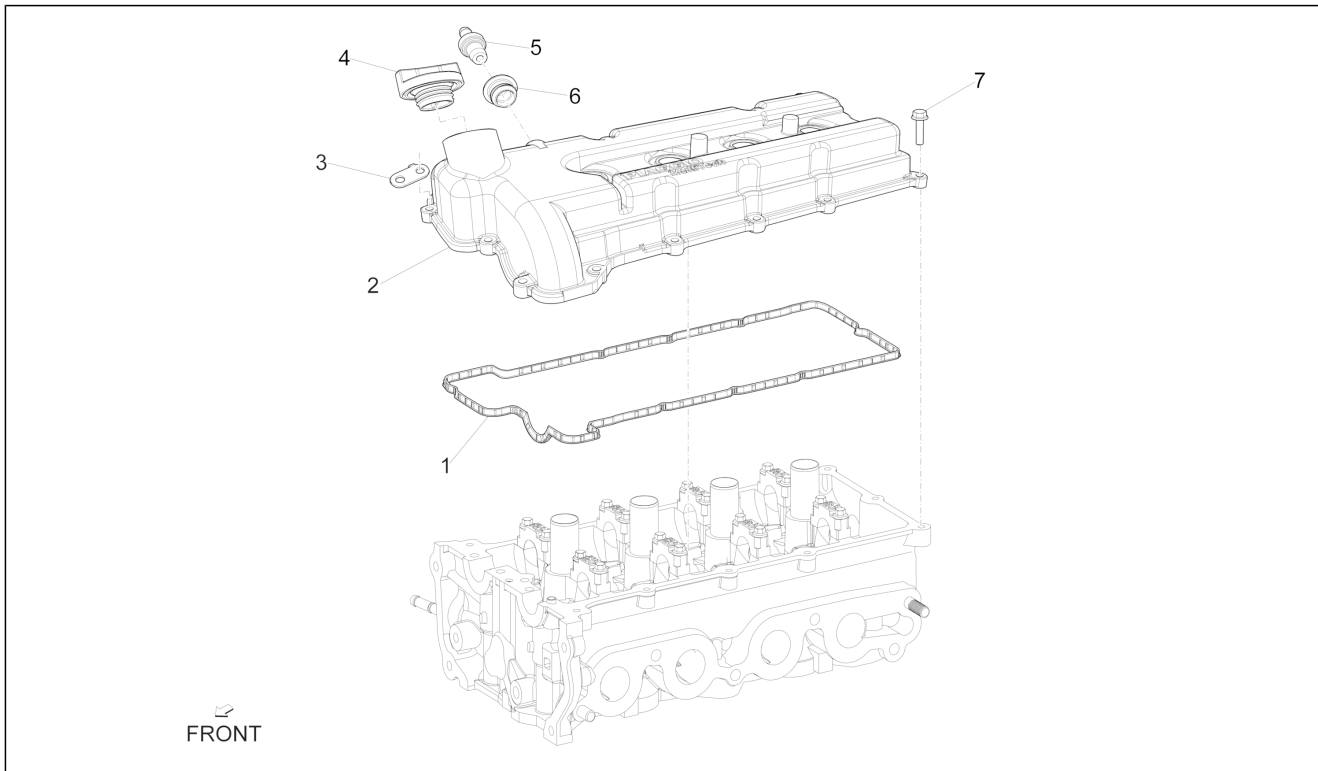
Pos.	Code	Beschreibung	Menge	Varianten
16	CM282436	Ventilbecher kalibriert 3,36 mm	16	
16	CM282438	Ventilbecher kalibriert 3,38 mm	16	
16	CM282440	Ventilbecher kalibriert 3,40 mm	16	
16	CM282442	Ventilbecher kalibriert 3,42 mm	16	
16	CM282444	Ventilbecher kalibriert 3,44 mm	16	
16	CM282446	Ventilbecher kalibriert 3,46 mm	16	
16	CM282448	Ventilbecher kalibriert 3,48 mm	16	
16	CM282450	Ventilbecher kalibriert 3,50 mm	16	
16	CM282452	Ventilbecher kalibriert 3,52 mm	16	
16	CM282454	Ventilbecher kalibriert 3,54 mm	16	
16	CM282456	Ventilbecher kalibriert 3,56 mm	16	
16	CM282458	Ventilbecher kalibriert 3,58 mm	16	
16	CM282460	Ventilbecher kalibriert 3,60 mm	16	
16	CM282462	Ventilbecher kalibriert 3,62 mm	16	
16	CM282464	Ventilbecher kalibriert 3,64 mm	16	
16	CM282466	Ventilbecher kalibriert 3,66 mm	16	
16	CM282468	Ventilbecher kalibriert 3,68 mm	16	
16	CM282470	Ventilbecher kalibriert 3,70 mm	16	
16	CM282472	Ventilbecher kalibriert 3,72 mm	16	
16	CM282474	Ventilbecher kalibriert 3,74 mm	16	
16	CM282476	Ventilbecher kalibriert 3,76 mm	16	
16	CM282478	Ventilbecher kalibriert 3,78 mm	16	
16	CM282480	Ventilbecher kalibriert 3,80 mm	16	
16	CM282482	Ventilbecher kalibriert 3,82 mm	16	
16	CM282484	Ventilbecher kalibriert 3,84 mm	16	
16	CM282486	Ventilbecher kalibriert 3,86 mm	16	
16	CM282488	Ventilbecher kalibriert 3,88 mm	16	
17	1A005528	Platte	2	

Einheit	Motor
Code	01.08
Beschreibung	Einheit Kopf - Ventil
Inspektion	1



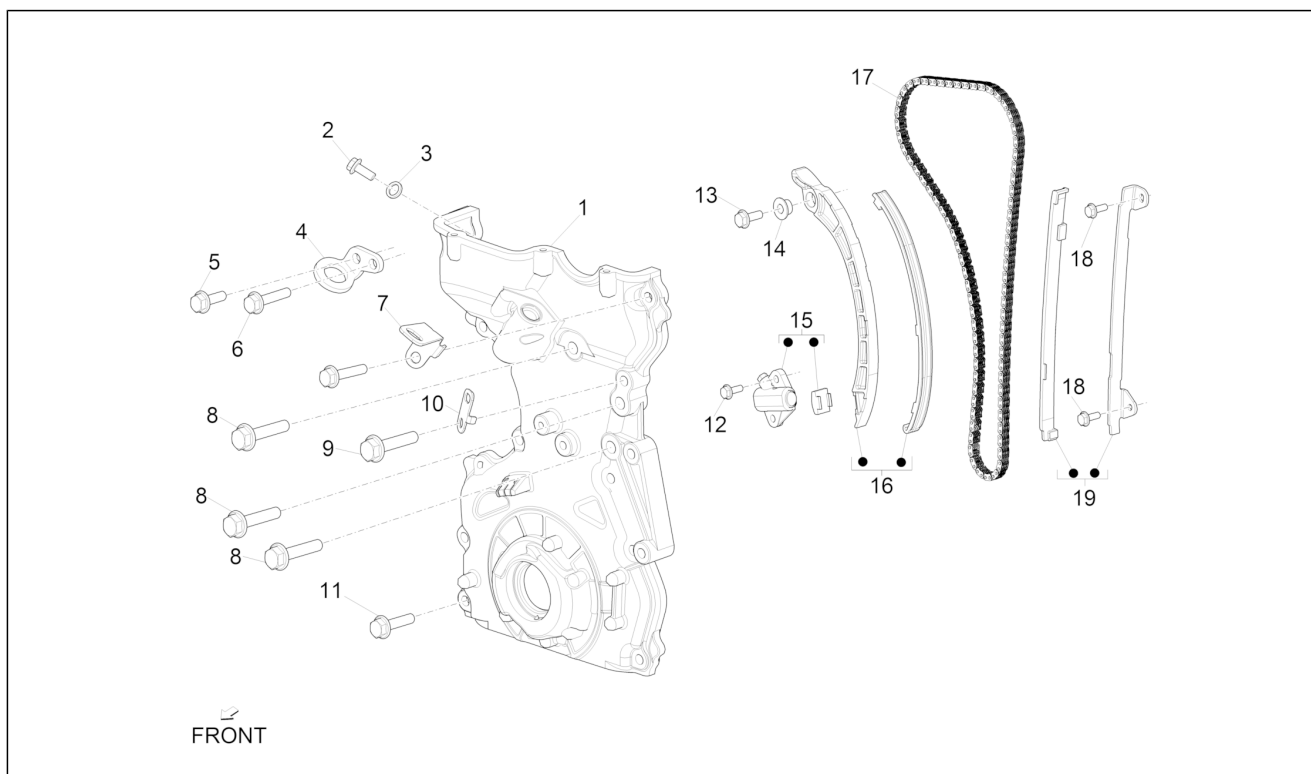
Pos.	Code	Beschreibung	Menge	Varianten
18	1A005532	Sechskantschraube geflanscht M8x16	2	
19	1A005527	Sechskantschraube mit Flansch	1	
20	1A005518		1	
21	1A005489	Sechskantschraube geflanscht	10	
22	1A005534	Platte	1	
23	1A005522	Temperaturfühler	1	
24	1A005523	Platte	1	
25	1A005482	Sechskantschraube mit Flansch M8x35	3	
26	1A005521	Anschl. Wasseraus.	1	
27	1A005520	Dichtung	1	
28	1A005477	Feststellschraube	2	
29	1A005488	Zylinder/Kopf Dichtung	1	
30	1A005498	Kalibrierte Düse	1	

Einheit	Motor
Code	01.10
Beschreibung	Zylinderkopfabdeckung
Inspektion	1



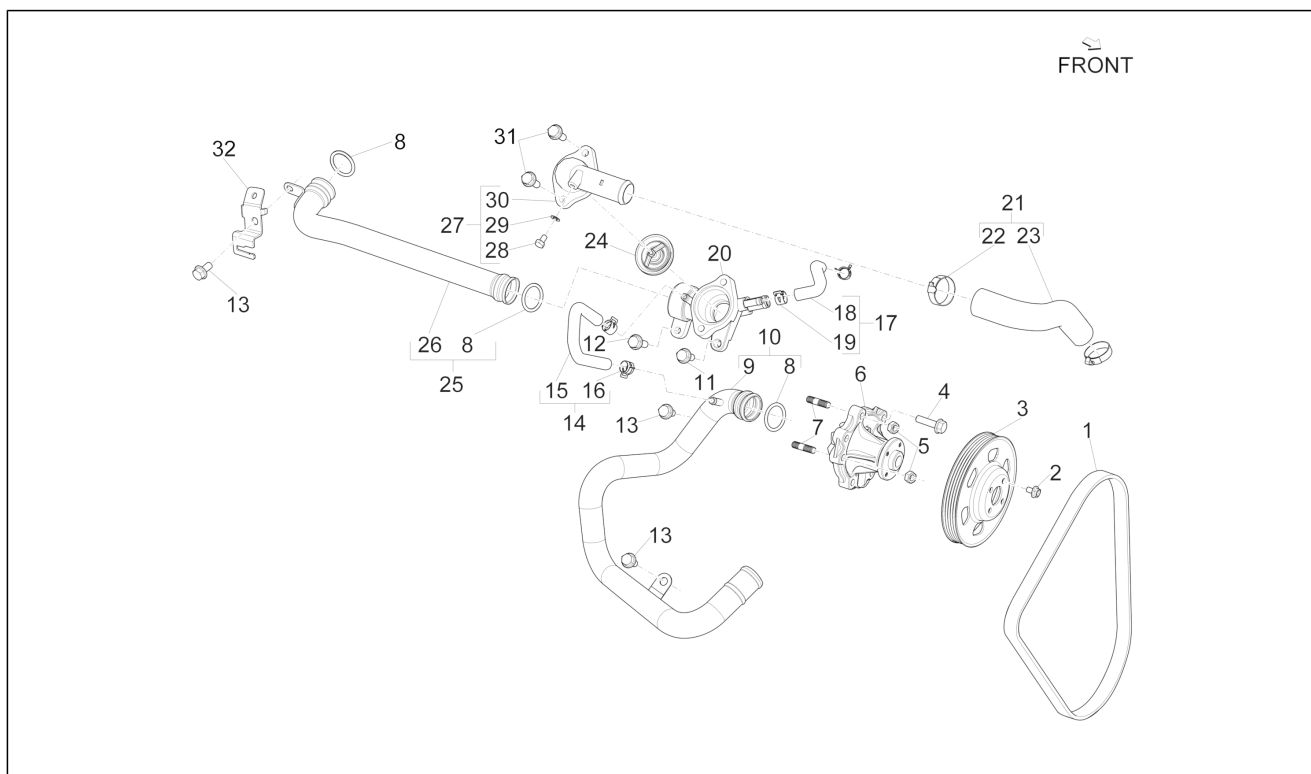
Pos.	Code	Beschreibung	Menge	Varianten
1	1A005507	Dichtung	1	
2	1A003094	Kopfdeckel	1	
3	1A005533	Platte	1	
4	1A005524	Ölschraube	1	
5	1A005526	PCV-Ventil	1	
6	1A005525	Distanzscheibe	1	
7	B010073	Sechskantschraube M6x25	16	

Einheit	Motor
Code	01.14
Beschreibung	Ventilsteuerungsriemen und Deckel
Inspektion	1



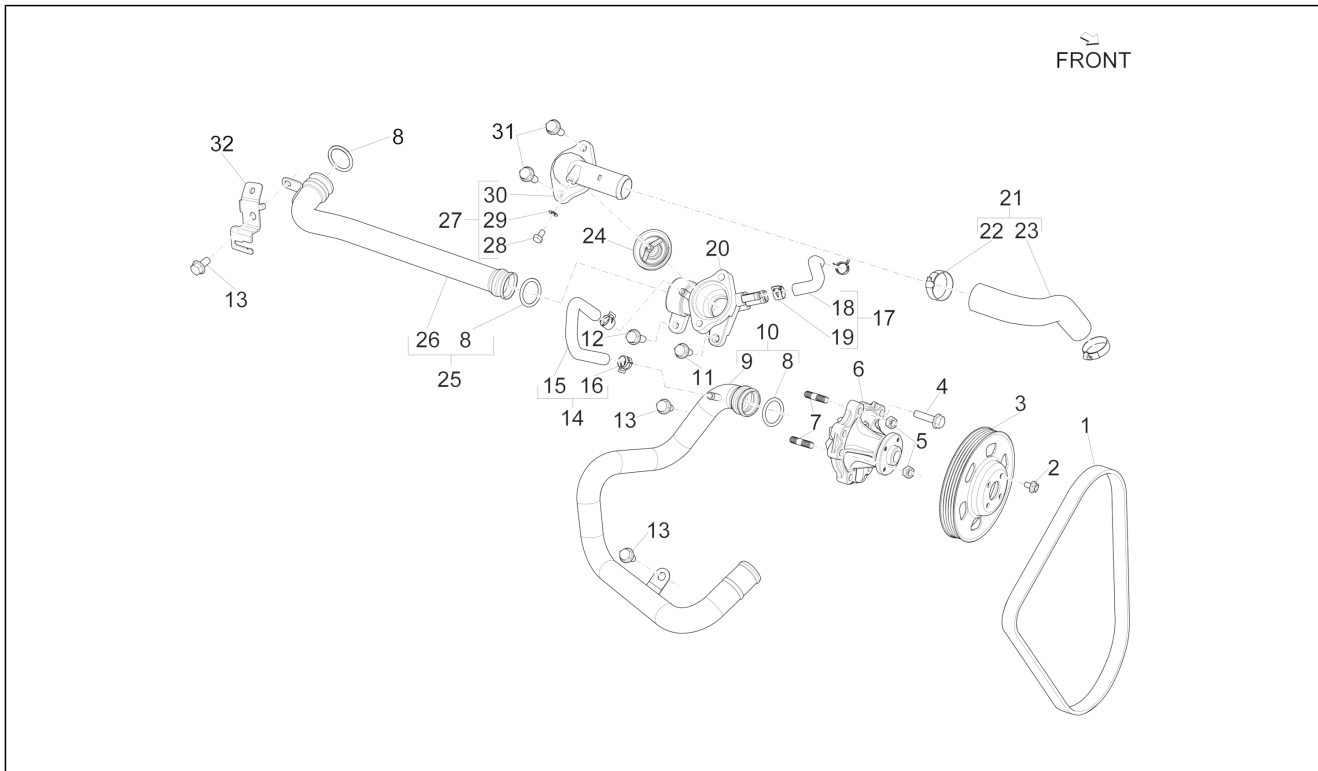
Pos.	Code	Beschreibung	Menge	Varianten
1	1A005536	Steuer Deckel kpl.	1	
2	1A005539	Sechskantschraube mit Flansch M8x16	1	
3	1A005540	Dichtung	1	
4	1A005537	Verstellbügel	1	
5	B010079	Sechskantschraube geflanscht M8x20	1	
6	1A005482	Sechskantschraube mit Flansch M8x35	1	
7	1A005542	Platte	1	
8	1A005538	Sechskantschraube geflanscht M10x1.25x40	3	
9	B010231	Sechskantschraube geflanscht M8x40	1	
10	1A005541	Platte	1	
11	B010221	Sechskantschraube geflanscht M8x30	10	
12	B010110	Sechskantschraube geflanscht M6x20	2	
13	B010101	Sechskantschraube geflanscht M8x25	1	
14	1A005544	Buchse	1	
15	1A005545	Kettenspanner	1	
16	1A005549	Kettenspanner Gleitbacke komplett	1	
17	1A005548	Steuerkette	1	
18	1A005543	Sechskantschraube mit Flansch M6x16	2	
19	1A005546	Feste Kettenspanner Gleitbacke	1	

Einheit	Motor
Code	01.16
Beschreibung	Wasserpumpe
Inspektion	1



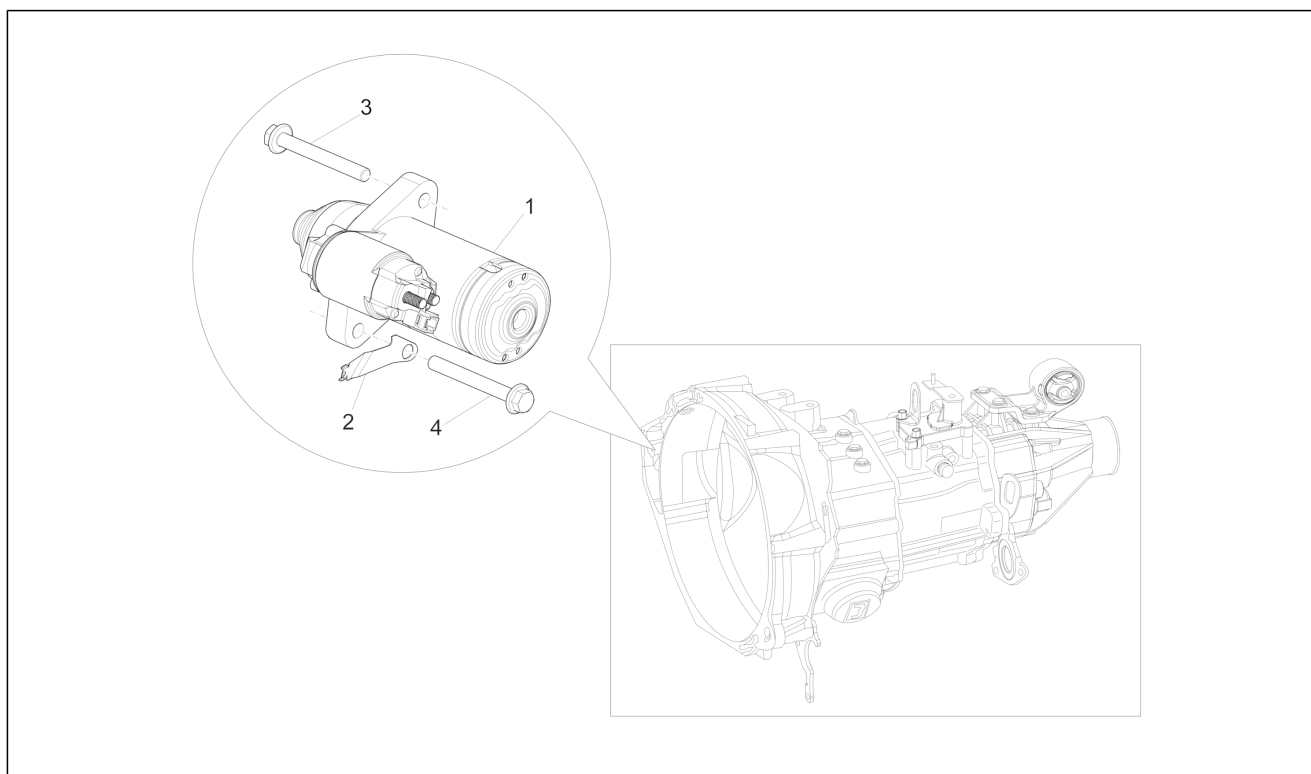
Pos.	Code	Beschreibung	Menge	Varianten
1	1A005573	Riemen Wasserpumpe	1	
2	1A005575	Sechskantschraube geflanscht	4	
3	1A005574	Riemenscheibe	1	
4	B010221	Sechskantschraube geflanscht M8x30	4	
5	1A005572	Sechskantmutter geflanscht M8	2	
6	1A005570	Wasserpumpeneinheit	1	
7	1A005571	Stiftschraube	2	
8	1A005578	Dichtring (O-Ring)	3	
9	1A005582	Wasserzulaufleitung	1	
10	1F000081	Wasserzulaufleitung kompl.	1	
11	B010079	Sechskantschraube geflanscht M8x20	1	
12	B010101	Sechskantschraube geflanscht M8x25	3	
13	1A005466	Sechskantschraube geflanscht M8x16	3	
14	1A005579	Bypass-Leitung komplett	1	
15	1A005580	By pass leitung	1	
16	1A005581	Schelle	2	
17	1A005586	Wasserleitung komplett	1	
18	1A005587	Wasserschlauch	1	
19	1A005581	Schelle	2	
20	1A005588	Gehäuse des Thermostats	1	
21	1A005583	Wasserleitung kompl. - Ausgang Thermostat	1	
22	1A005585	Schelle	2	
23	1A005584	Wasserleitung Ausgang Thermostat	1	
24	1A005593	Thermostat	1	
25	1A005576	Wasseraustrittsleitung komplett	1	
26	1A005577	Was.schl.aus.	1	
27	1A005589	Deckel Thermostat kompl.	1	
28	1A005592	Unterlegscheibe Entlüftung	1	

Einheit	Motor
Code	01.16
Beschreibung	Wasserpumpe
Inspektion	1



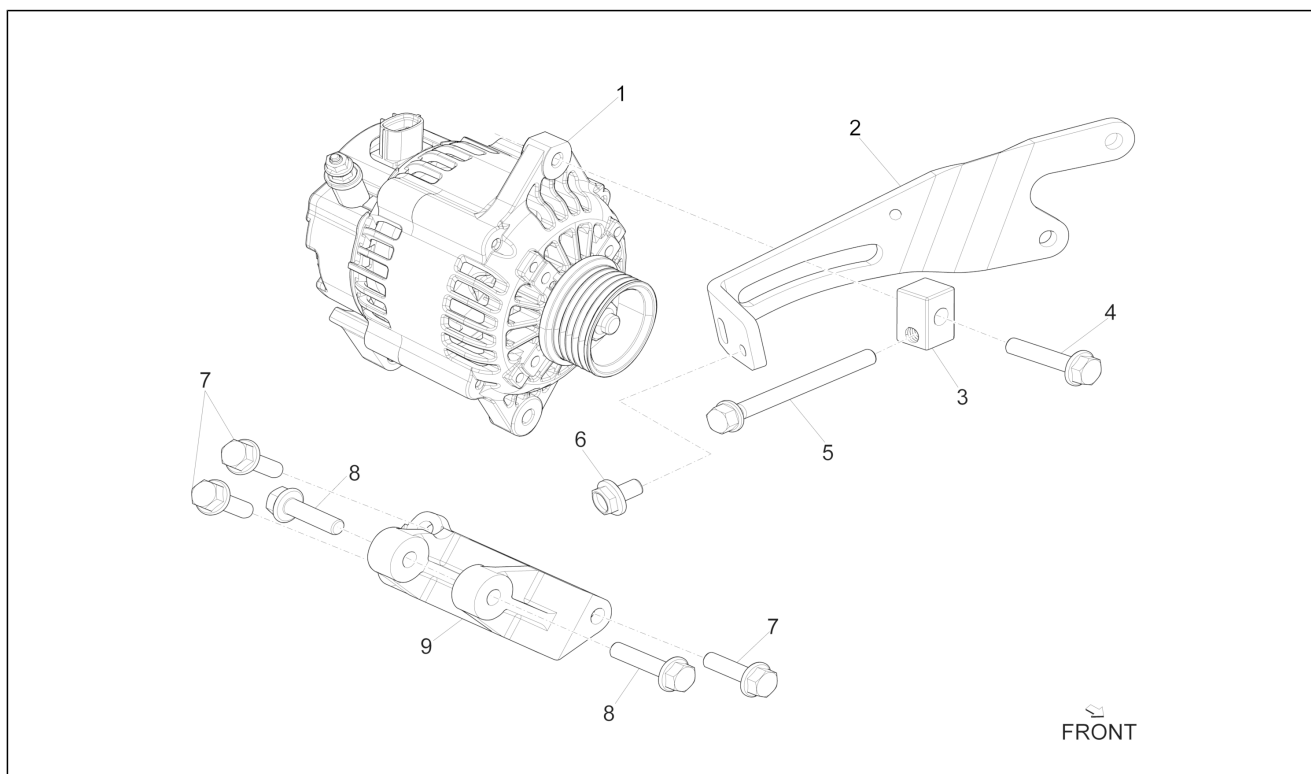
Pos.	Code	Beschreibung	Menge	Varianten
29	1A005591	Entlüftungsventil	1	
30	1A005590	Thermofühlerdeckel	1	
31	B010101	Sechskantschraube geflanscht M8x25	3	

Einheit	Motor
Code	01.17
Beschreibung	Starter - Elektrischer starter
Inspektion	1



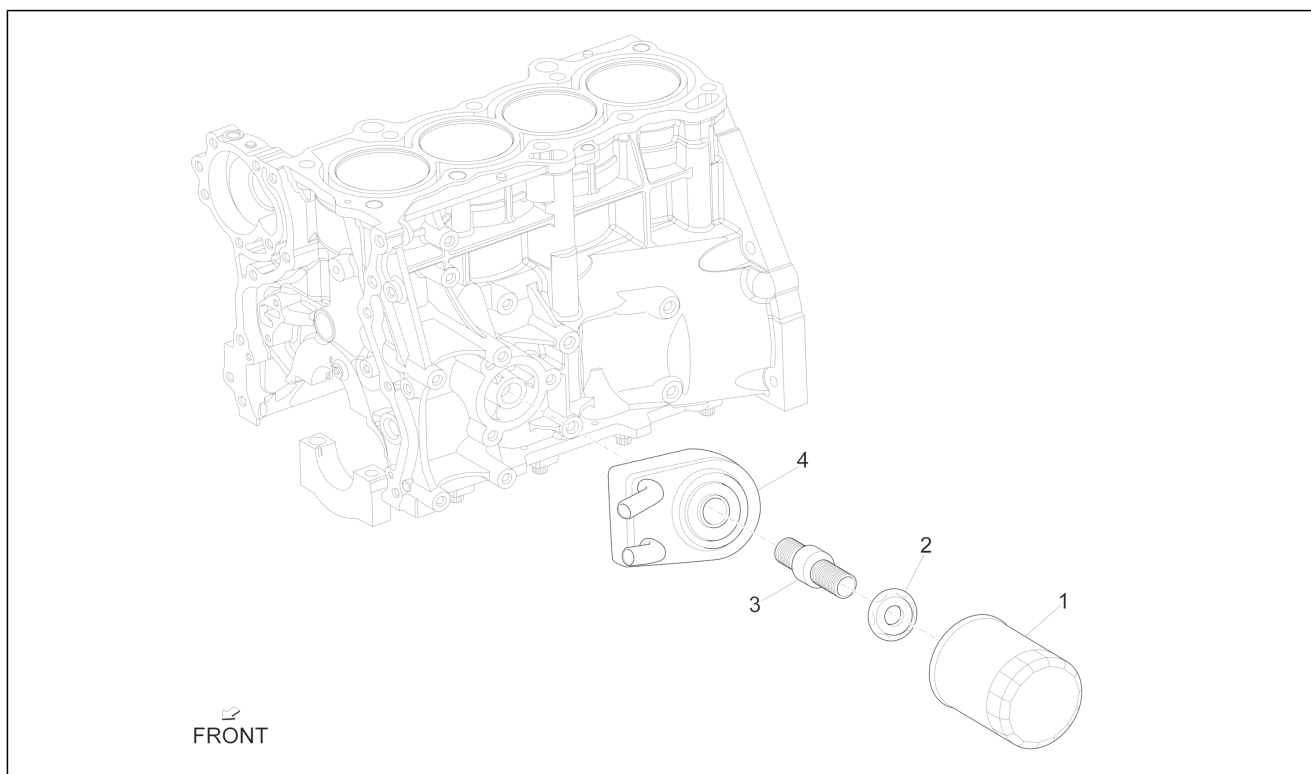
Pos.	Code	Beschreibung	Menge	Varianten
1	1A005666	Anlassermotor	1	
2	1A005663	Bügel	1	
3	1A005665	Sechskantschraube mit Flansch	2	
4	1A005667	Sechskantschraube geflanscht M10x1.25x75	1	

Einheit	Motor
Code	01.19
Beschreibung	Lichtmaschine
Inspektion	1



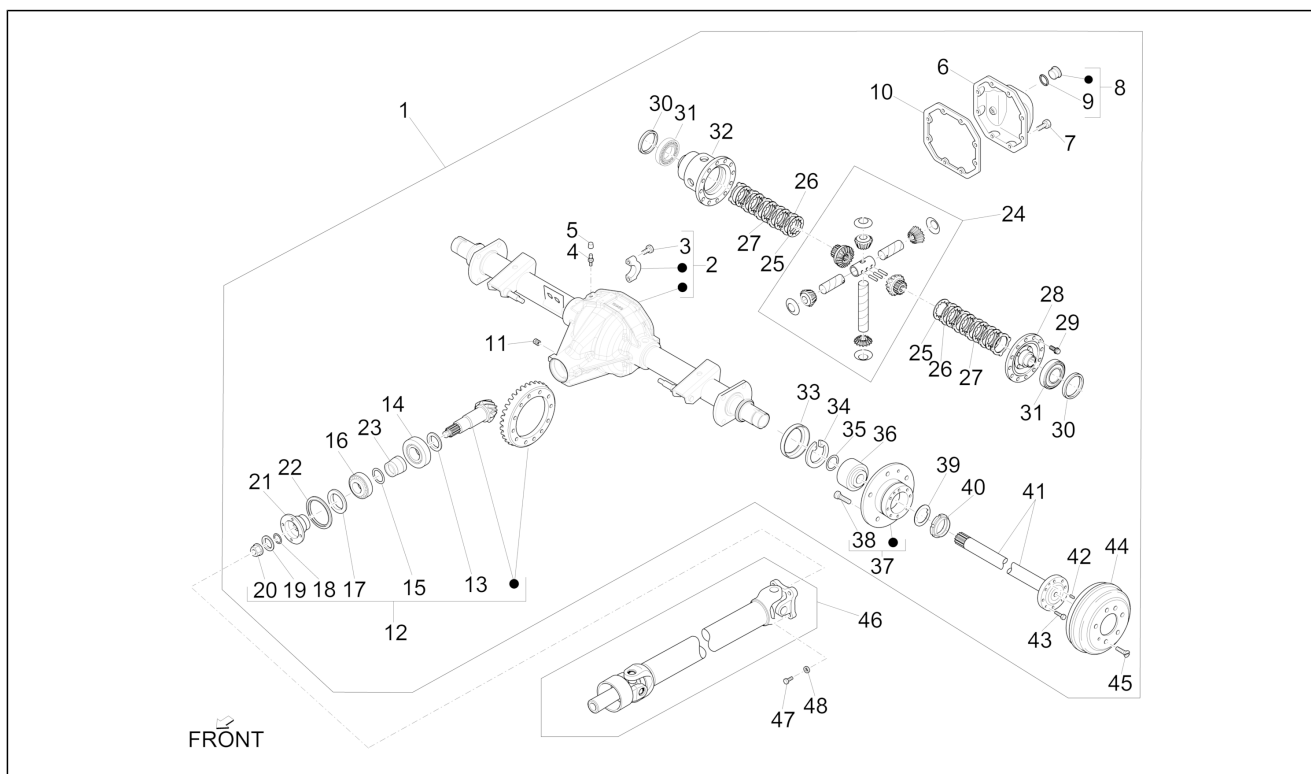
Pos.	Code	Beschreibung	Menge	Varianten
1	1A005658	Drehstromgenerator	1	
2	1F000084	Haltebügel Lichtmaschine	1	
3	1A005659	Schlupfbuchse	1	
4	B010231	Sechskantschraube geflanscht M8x40	1	
5	1A005660	Sechskantschraube mit Flansch	1	
6	B010018	Sechskantschraube geflanscht M6x12	1	
7	B010101	Sechskantschraube geflanscht M8x25	3	
8	B010221	Sechskantschraube geflanscht M8x30	2	
9	1A005664	Bügel Lichtmaschine	1	

Einheit	Motor
Code	01.21
Beschreibung	Ölfiter
Inspektion	1



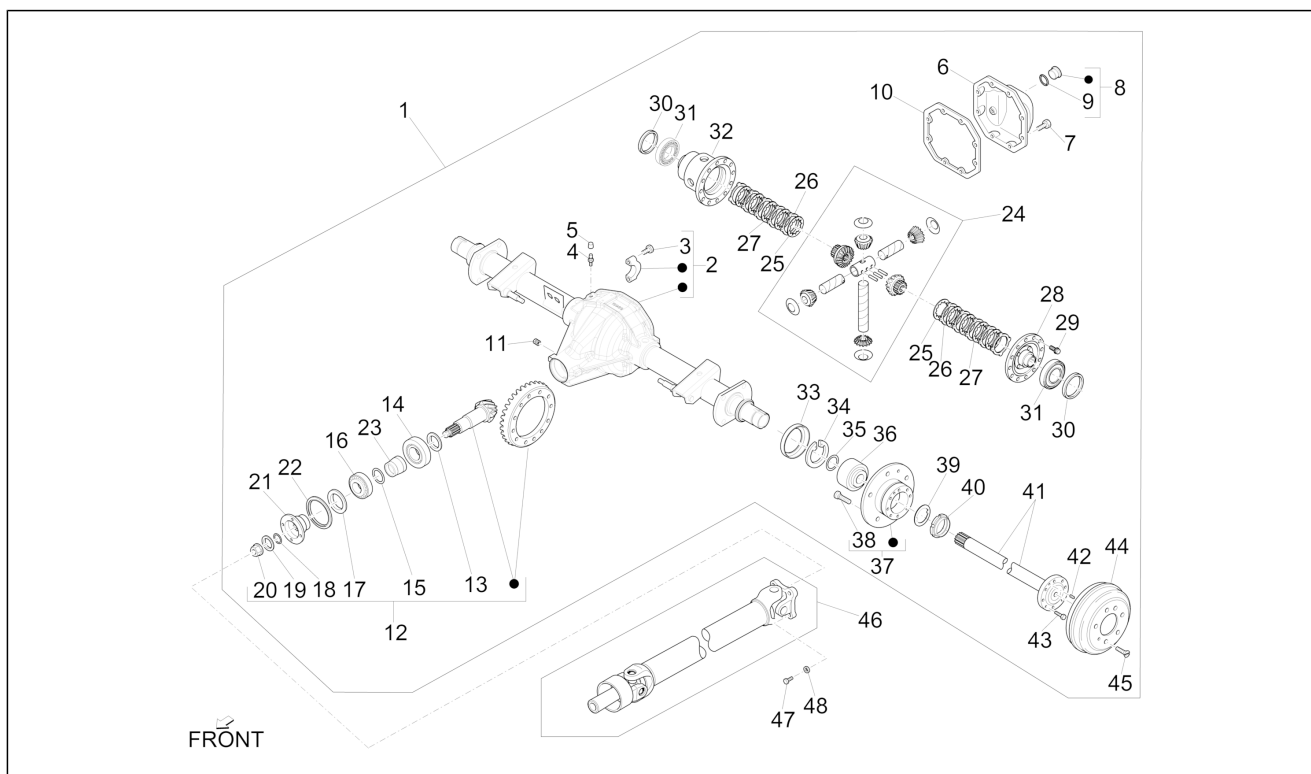
Pos.	Code	Beschreibung	Menge	Varianten
1	1A005610	Ölfitereinsatz	1	
2	1A005169	Spezia mutter	1	
3	1A005142	Spezialschraube	1	
4	1A004345	Ölkühler komplett	1	

Einheit	Motor
Code	01.25
Beschreibung	Hinterachs Antrieb
Inspektion	1



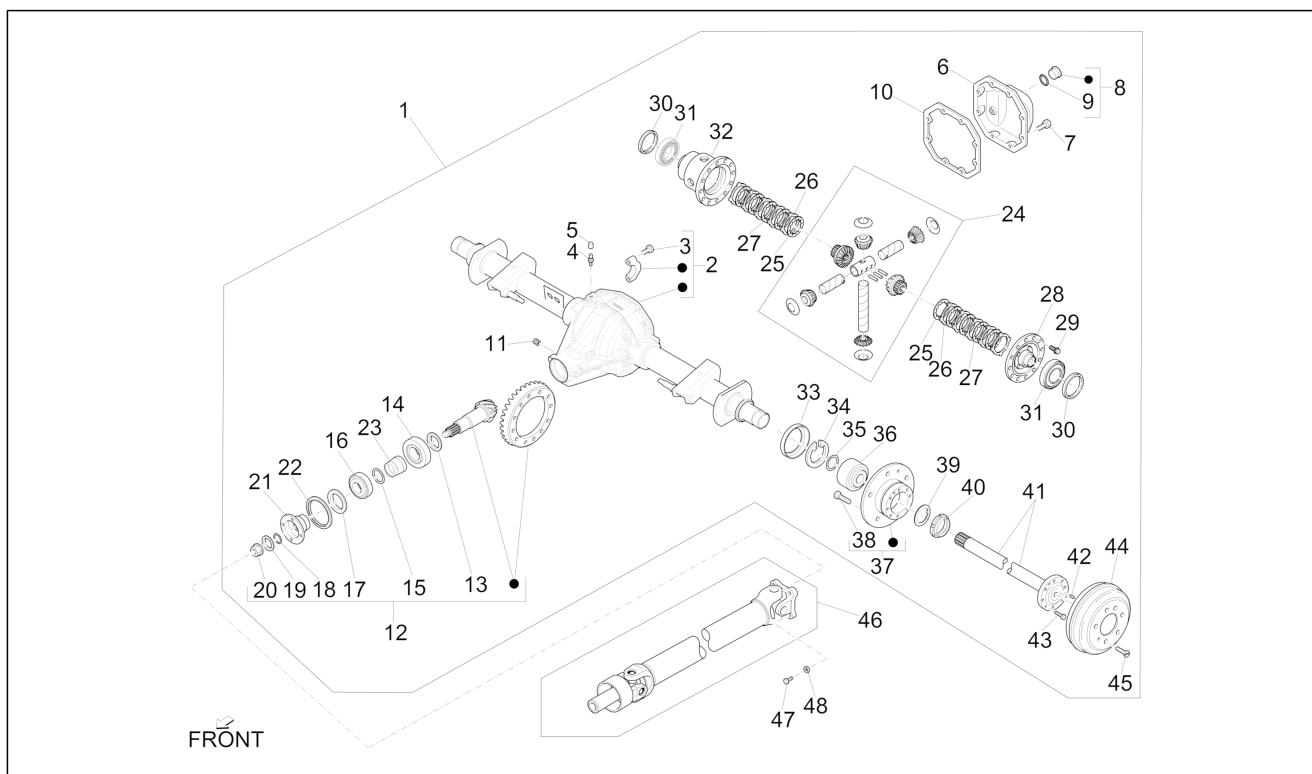
Pos.	Code	Beschreibung	Menge	Varianten
1	1E000884	Hinterachse kompl.	1	
1	1E001742	Hinterachse kompl.	1	Modellversion: Für Modelle HS (High Slope)[HS]
2	837067	Achskörper	1	
3	588352	Schraube	4	
4	9004915043000	Entlüfter	1	
5	588350	Entlüftungsventilschutz	1	
6	588353	Deckel	1	
7	9004101609000	Schraubbolzen	9	
8	493434	Stutzenset	1	
9	493435	O-Ring	1	
10	588302	Dichtung	1	
11	9004341070000	Deckel	1	
12	837193	Teilerradsatz kit Z=8/39	1	
13	588306	Scheibe mm 2.50	2	
13	588307	Scheibe mm 2.60	2	
13	588308	Scheibe mm 2.70	2	
13	588309	Scheibe mm 2.80	2	
13	588310	Scheibe mm 2,90	2	
13	588311	Scheibe mm 3	2	
13	588312	Scheibe mm 3.10	2	
13	588313	Scheibe mm 3.20	2	
13	588314	Scheibe mm 3.30	2	
13	588315	Scheibe mm 3.40	2	
14	588316	Lager	1	
15	837194	Scheibe mm 2.50	2	
15	837195	Scheibe mm 2.52	2	
15	837196	Scheibe mm 2.54	2	
15	837197	Scheibe mm 2.56	2	

Einheit	Motor
Code	01.25
Beschreibung	Hinterachsantrieb
Inspektion	1



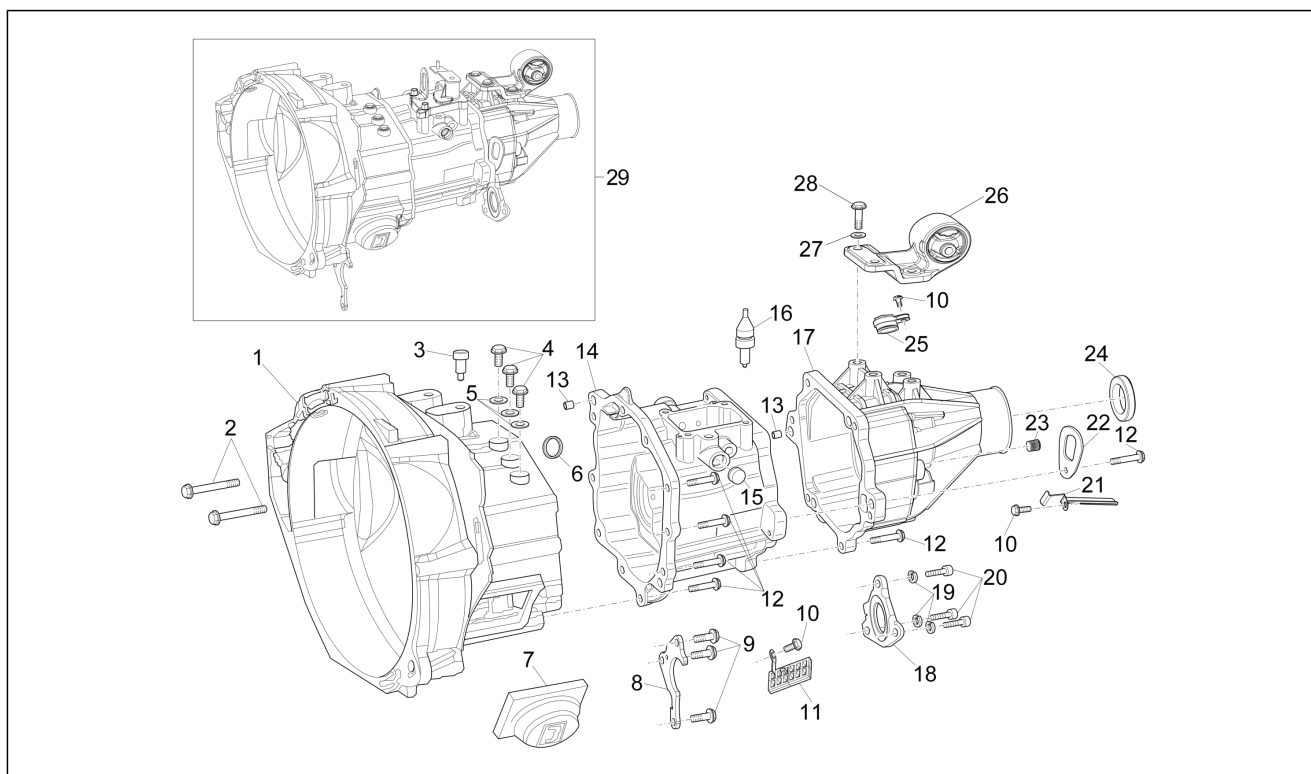
Pos.	Code	Beschreibung	Menge	Varianten
15	837198	Scheibe mm 2.58	2	
15	837199	Scheibe mm 2.60	2	
15	837200	Scheibe mm 2.70	2	
15	837201	Scheibe mm 2.80	2	
15	837202	Scheibe mm 2.90	2	
15	837203	Scheibe mm 3	2	
15	837204	Scheibe mm 3.10	2	
15	837205	Scheibe mm 3.20	2	
15	837206	Scheibe mm 3.30	2	
16	588317	Lager	1	
17	588318	Gasket ring	1	
18	588354	O-Ring	1	
19	588355	Unterlegscheibe	1	
20	588356	Nutmutter	1	
21	588305	Flansch	1	
22	588304	Deckel	1	
23	837207	Distanzscheibe	1	
24	588319	Ausgleichsgetriebeset	1	
25	588320	Scheibe zur blockierung des ausgleichsgetriebes	2	
26	588321	Gegenscheibe	10	
27	588322	Scheibe zur blockierung des ausgleichsgetriebes	8	
28	588323	Deckel	1	
29	588324	Schraube	12	
30	588325	Scheibe mm 4.50	2	
30	588326	Scheibe mm 4.60	2	
30	588327	Scheibe mm 4.70	2	
30	588328	Scheibe mm 4.80	2	
30	588329	Scheibe mm 4.90	2	

Einheit	Motor
Code	01.25
Beschreibung	Hinterachsantrieb
Inspektion	1



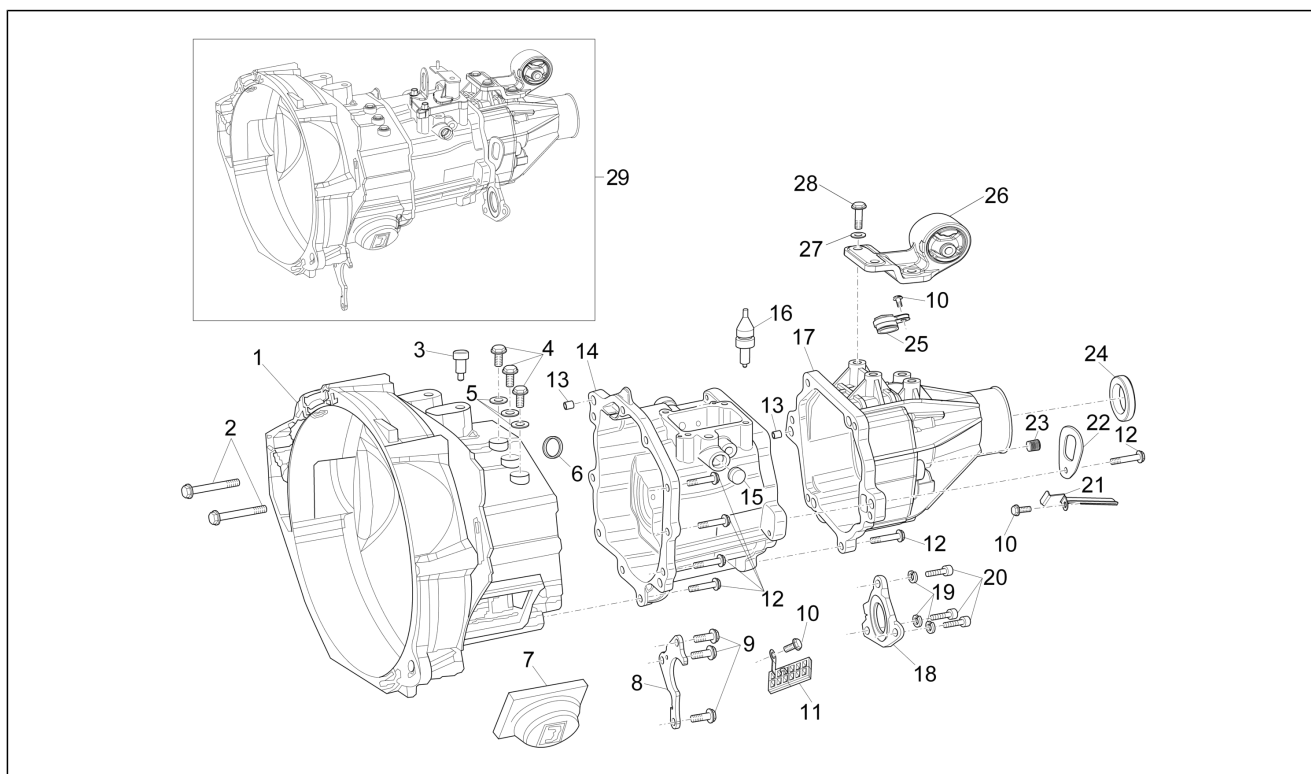
Pos.	Code	Beschreibung	Menge	Varianten
30	588330	Scheibe mm 5.00	2	
30	588331	Scheibe mm 5.10	2	
30	588332	Scheibe mm 5.20	2	
30	588333	Scheibe mm 5.30	2	
30	588334	Scheibe mm 5.40	2	
31	588335	Lager	2	
32	588336	Differentialgehäuse	1	
33	837069	Getriebedeckel	1	
34	588337	Seegerring	2	
35	588338	O-Ring	2	
36	588339	Lager	2	
37	837068	Rad n ab e n set	2	
38	588363	Stiftschraube	10	
39	588364	Unterlegscheibe	2	
40	588341	Nutmutter	2	
41	588342	Achswelle	2	
42	588365	Stift	4	
43	588371	Schraube	16	
44	588343	Bremstrommel	2	
45	588372	Schraube	4	
46	CM038101	Komplette Getriebewelle	1	
47	264451	Sechskantschraube	4	
48	9451201000000	Onduflex u.scheibe	4	

Einheit	Motor
Code	01.26
Beschreibung	Getriebegehäuse
Inspektion	1



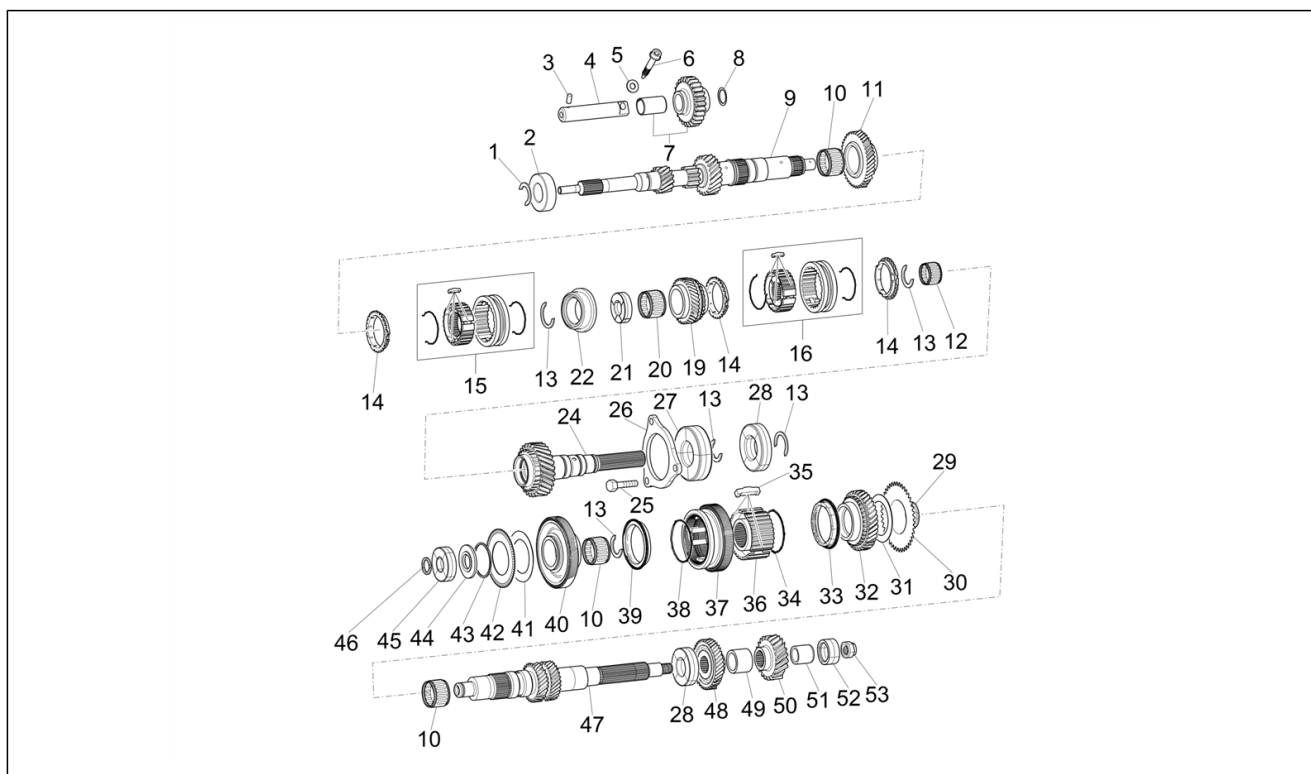
Pos.	Code	Beschreibung	Menge	Varianten
1	1A005723	Gehäuse Kupplungsglocke	1	
2	1A005734	Sk-Schraube	2	
3	B010255	Entlüftung	1	
4	B010487	TE Schr. m. Flansch	3	
5	1A005724	Flachscheibe	3	
6	B010256	Gasket ring	1	
7	1A005742	Staubschutzblech	1	
8	B010262	Lagerhalteplatte	1	
9	1A005725	Sechskantschraube mit Flansch	3	
10	1A005735	Sechskantschraube geflanscht M6x16	3	
11	B010269	Magnet	1	
12	1A005740	Sk-Schraube	14	
13	1A005744	Haltestein	2	
14	1A005168	Zwischengehäuse Getriebe	1	
15	B010275	Verschlusschraube	1	
16	B010274	Rückwärtsgangsensor	1	
17	1A005736	Getriebegehäusedeckel	1	
18	1A005730	Deckel	1	
19	1A005733	Flachscheibe	3	
20	1A005732	Sechskantschraube mit Flansch	3	
21	B010277	Platte	1	
22	B010262	Lagerhalteplatte	1	
23	B010279	Konischer Stopfen Ablass und Laden	1	
24	B010284	Gasket ring	1	
25	1A005741	Kappe Staubschutzring	1	
26	1A005469	Halterbügel	1	
27	1A005474	Flachscheibe	4	
28	1A005473	Sechskantschraube Feingewinde M10x1.25x30	4	

Einheit	Motor
Code	01.26
Beschreibung	Getriebegehäuse
Inspektion	1



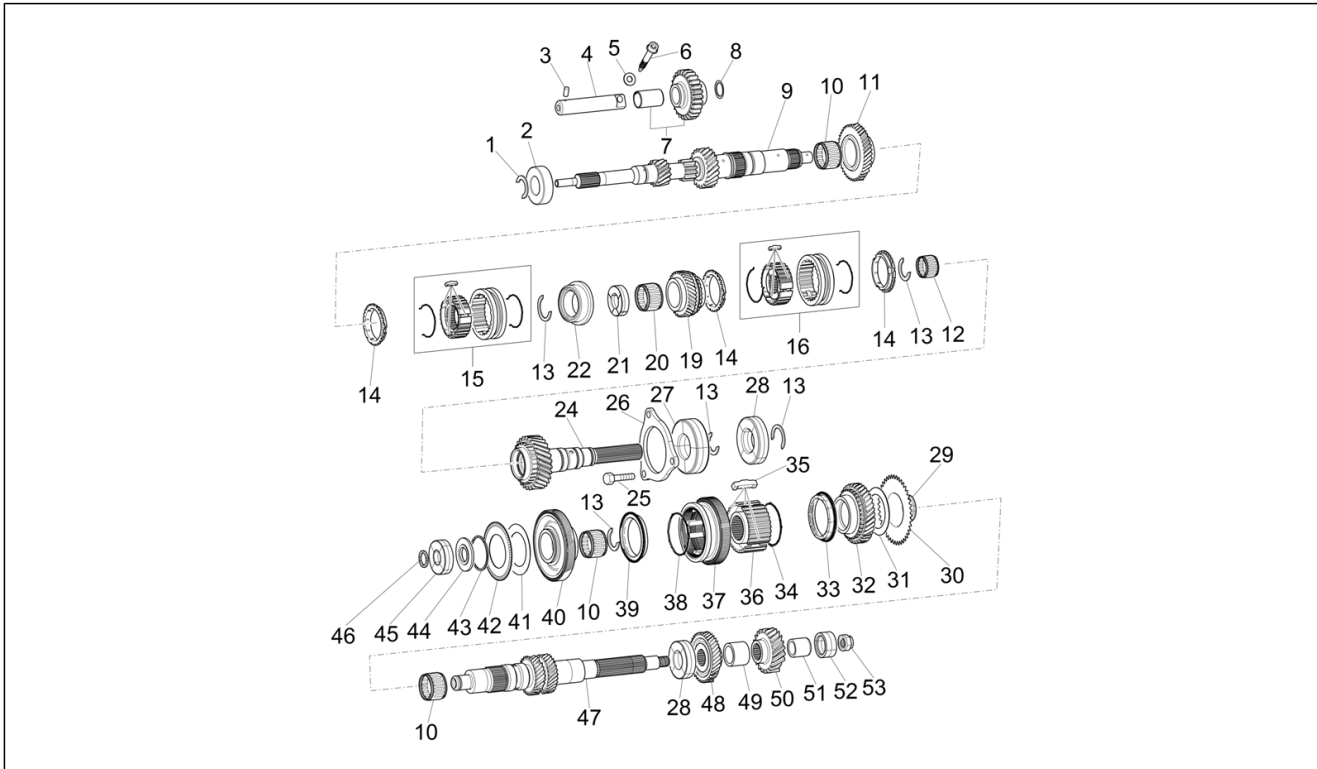
Pos.	Code	Beschreibung	Menge	Varianten
29	1A003837	Getriebe komplett	1	

Einheit	Motor
Code	01.27
Beschreibung	Schaltgetriebe
Inspektion	1



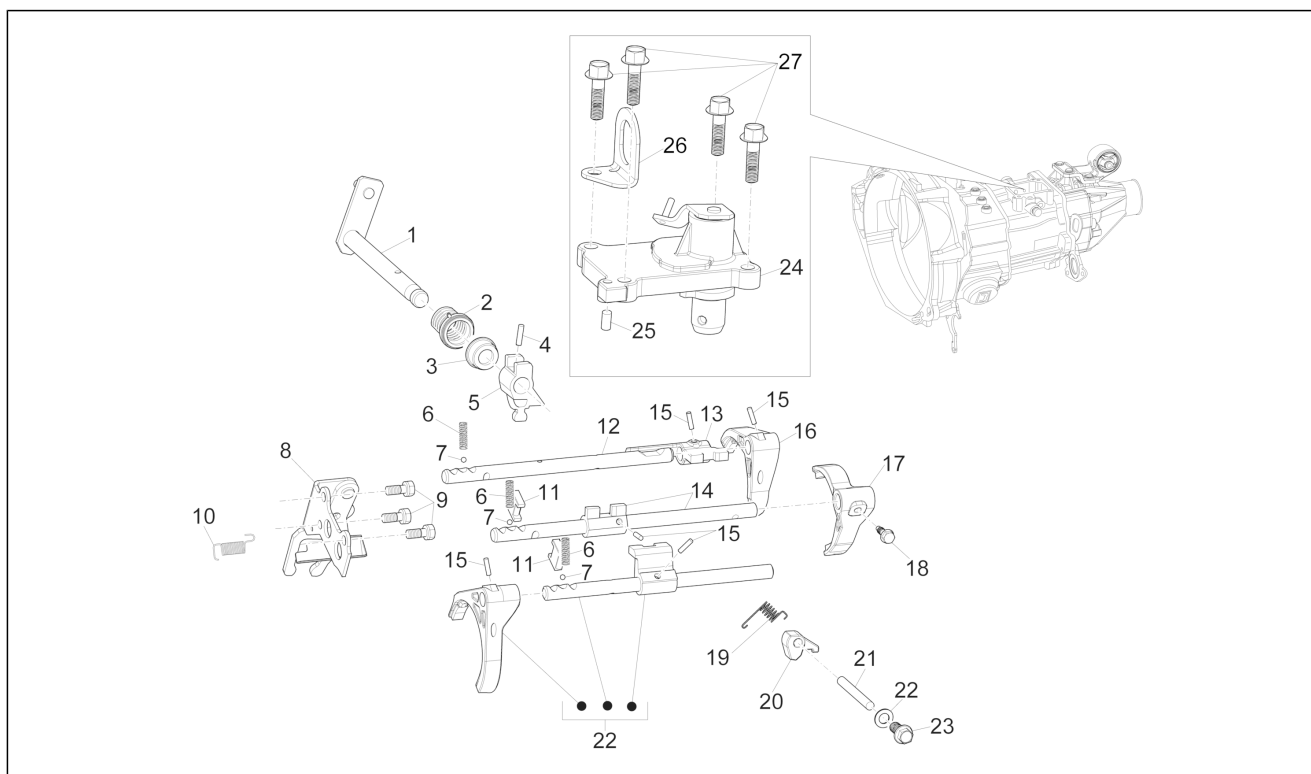
Pos.	Code	Beschreibung	Menge	Varianten
1	B010297	Sprengring	1	
2	B010296	Kugellager	1	
3	1A005765	Stift	1	
4	1A005771	Welle f ³ r r ³ ckwärtsgang	1	
5	B010464	Flachscheibe	1	
6	B010463	TCEI Schraube	1	
7	B010459	Vorgelegewelle Rückwärtsgang	1	
8	B010462	Flachscheibe	1	
9	1A005161	Vorgelegewelle	1	
10	B010298	Nadelkaefig	3	
11	B010299	Antriebszahnrad 5 Übersetzungen	1	
12	B010311	Nadelkaefig	1	
13	B010305	Sprengring	5	
14	B011561	Synchronring nr.1	3	
15	B010929	Schaltgruppe hohe Gänge	4	
16	1R000330	Schaltgruppe hohe Gänge	2	
19	B010885	Antriebszahnrad 3 Übersetzungen	1	
20	B010308	Nadelkaefig	1	
21	1A005750	Rollenlager	1	
22	B010306	Distanzscheibe	1	
24	1A005754	Hauptwelle	1	
25	1A005757	Sechskantschraube mit Flansch	3	
26	1A005755	Platte	1	
27	B010314	Kugellager	1	
28	B010319	Kugellager	2	
29	1A005772	Ring	1	
30	1A005777	Zahnrad	1	
31	1A005776	Deckel	1	

Einheit	Motor
Code	01.27
Beschreibung	Schaltgetriebe
Inspektion	1



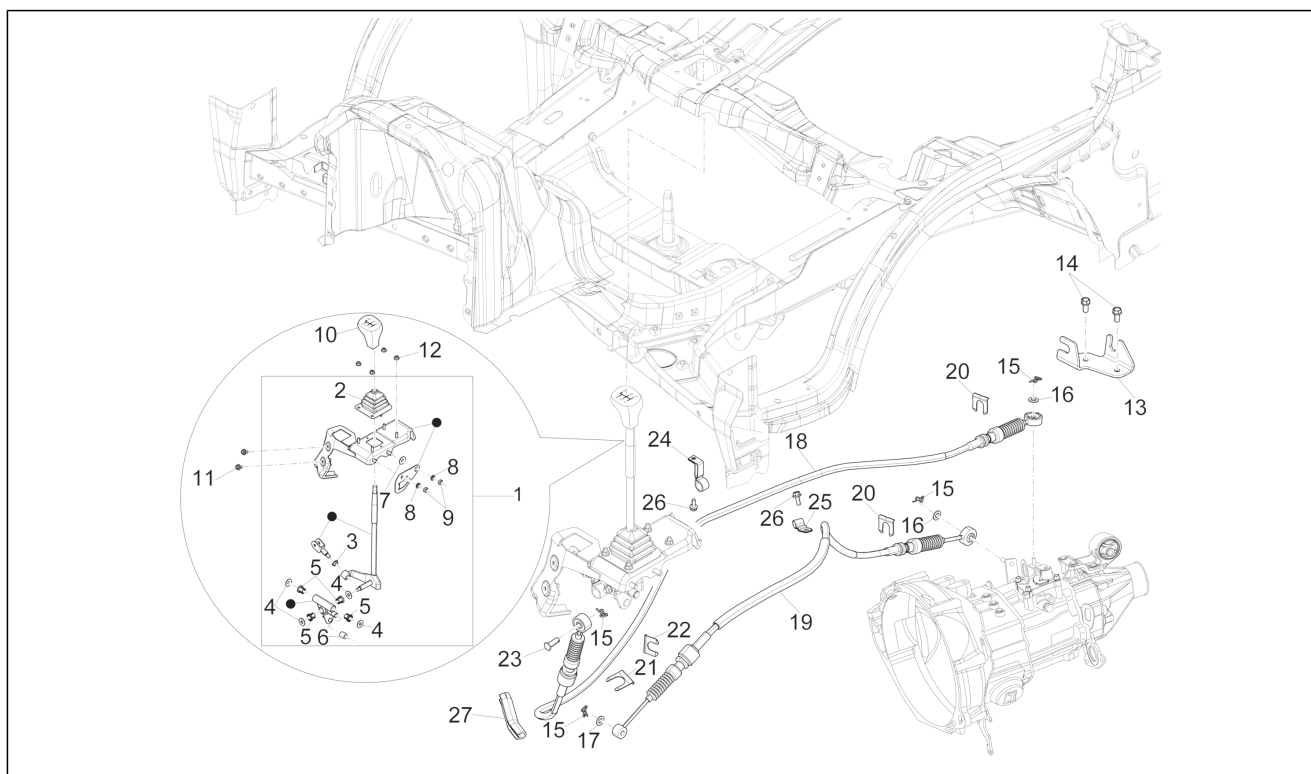
Pos.	Code	Beschreibung	Menge	Varianten
32	1A005775	Geführtes Zahnrad 1. Gang	1	
33	B011560	Synchronring 2. Gang	1	
34	B010330	Feder Synchronring	1	
35	B010332	Stift	3	
36	B010333	Nabe niedriger Gang	1	
37	B010331	Muffe niedriger Gang	1	
38	B010330	Feder Synchronring	1	
39	B010895	Synchronring nr.1	1	
40	1A005762	Geführtes Zahnrad 1. Gang	1	
41	1A005774	Deckel	1	
42	1A005773	Zahnrad Rückwärtsgang	1	
43	1A005772	Ring	1	
44	1A005761	Umleiter	1	
45	B010323	Kugellager	1	
46	B010322	Sprengtring	1	
47	B010338	Festrads	1	
48	B010896	Angetriebenes Zahnrad 3. Gang	1	
49	B010452	Distanzscheibe	1	
50	1A005763	Geführtes Zahnrad 4. Gang	1	
51	B010454	Buchse	1	
52	1A005764	Kugellager	1	
53	B010456	Mutter	1	

Einheit	Motor
Code	01.28
Beschreibung	Schalthebel
Inspektion	1



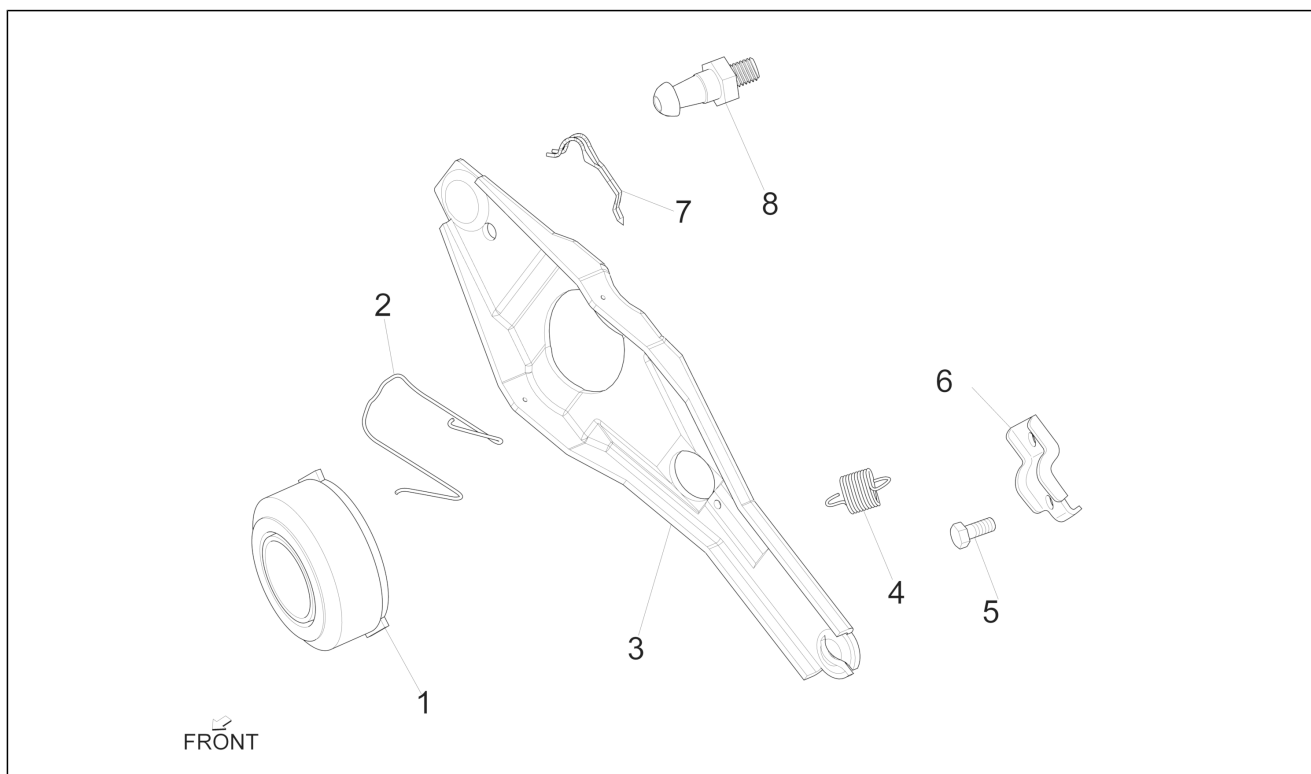
Pos.	Code	Beschreibung	Menge	Varianten
1	1A005800	Stange	1	
2	1A005803	Mutter	1	
3	1A005793	Ring	1	
4	1A005789	Bolzen	1	
5	1A005794	Schalthebel	0	
6	B010492	Gangwahlfeder	3	
7	1A005799	Kugel	3	
8	B010506	Betätigungshebel Rückwärtsgang	1	
9	1A005797	Sechskantschraube geflanscht M8x20	3	
10	1A005796	Feder	1	
11	B010499	Einsatz	2	
12	B010501	Regelstange	1	
13	B010502	Gabel V	1	
14	1A005804	Stange	1	
15	1A005798	Bolzen	2	
16	B010500	Gabel V-R Gang	1	
17	B010493	Gabel 3.-4. Gang	1	
18	B010496	TE Schr. m. Flansch	1	
19	1A005801	Feder	1	
20	B010484	Schutzvorrichtung Rückwärtsgang	1	
21	1A005795	Sicherheitsbolzen	1	
22	B010931	ZSB Betätigung 1.-2. Gang	1	
23	B010487	TE Schr. m. Flansch	1	
24	1A005788	Deckel Schaltung	1	
25	1A005792	Bolzen	1	
26	1A005791	Bügel	1	
27	1A005790	Sechskantschraube mit Flansch	4	

Einheit	Motor
Code	01.29
Beschreibung	Interne Schaltsegmente
Inspektion	1



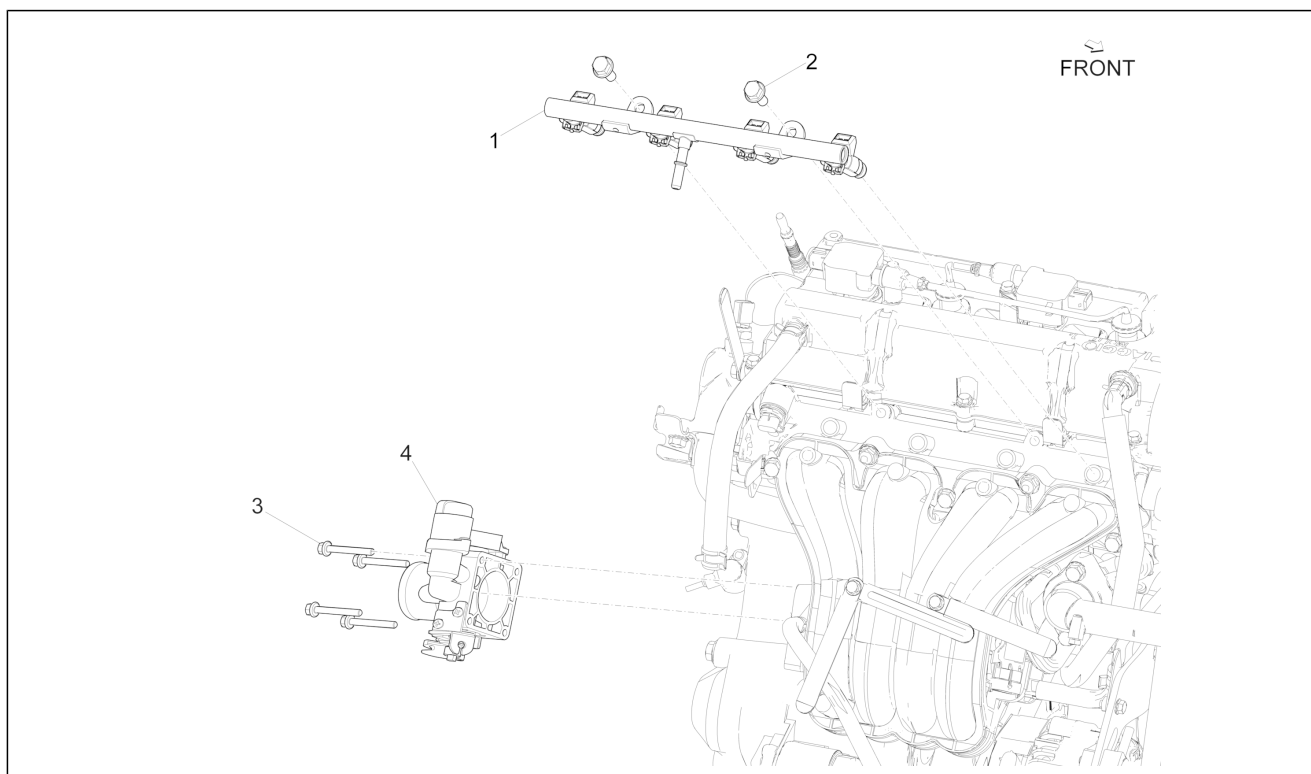
Pos.	Code	Beschreibung	Menge	Varianten
1	B007293	Schalthebel	1	
2	3355587Z02000	Staubschutz schaltknüppel	1	
3	3354887Z01000	Buchse	1	
4	9004386116000	Buchse	4	
5	9671119014000	O-Ring 17,6x13,8	4	
6	9004386117000	Buchse	1	
7	9461310800000	Unterlegscheibe	2	
8	D9451100800	Unterlegscheibe	4	
9	9412040800000	Mutter	4	
10	B004453	Knauf schalthebel	1	
11	D9166140612	Schraubbolzen	2	
12	261322	Mutter	4	
13	1E001470	Anschlagbügel Schaltzüge	1	
14	D9161160818	TE Schr. m. Flansch	2	
15	B005054	Klammer	4	
16	D9461410800	Flachscheibe	2	
17	D9461110800	Flachscheibe	1	
18	1E000546	Schaltzug Gang einlegen	1	
19	1E001469	Schaltzug Gangwahl	1	
20	B005055	Schelle	2	
21	B005053	Schelle	1	
22	B005056	Schelle	1	
23	D9004243017	Bolzen	1	
24	D9004461423	Schelle	1	
25	B005352	Schelle	1	
26	D9165160618	Flanschschraube	2	
27	CM022202	Dichtung	1	

Einheit	Motor
Code	01.30
Beschreibung	Kupplung
Inspektion	1



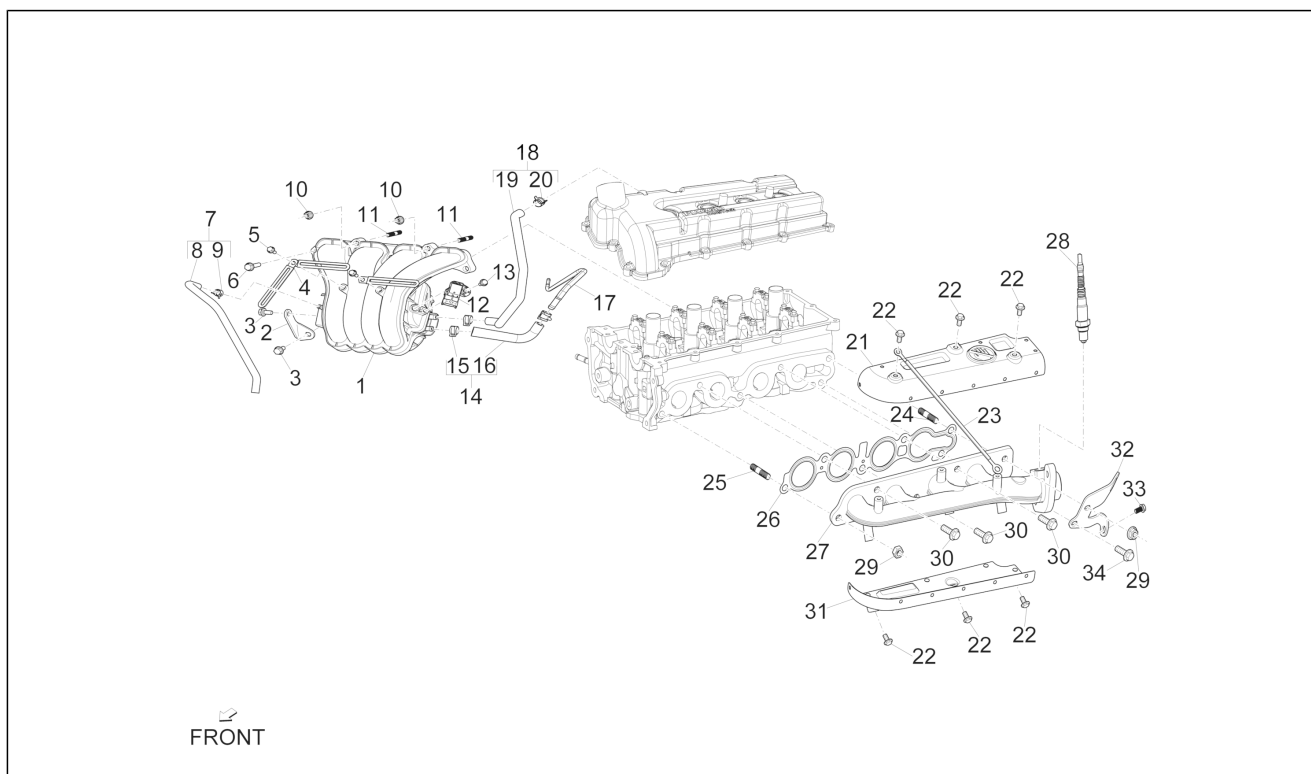
Pos.	Code	Beschreibung	Menge	Varianten
1	1A005162	Andrückfeder	1	
2	B010292	Klammer	1	
3	1A005780	Kupplungshebel	1	
4	B010294	Feder	1	
5	1A005782	Sechskantschraube mit Flansch	1	
6	1A005781	Feder	1	
7	B010288	Kleine Feder	1	
8	B010287	Spezialschraube	1	

Einheit	Motor
Code	01.32
Beschreibung	Drosselkörper und Einspritzdüsen
Inspektion	1



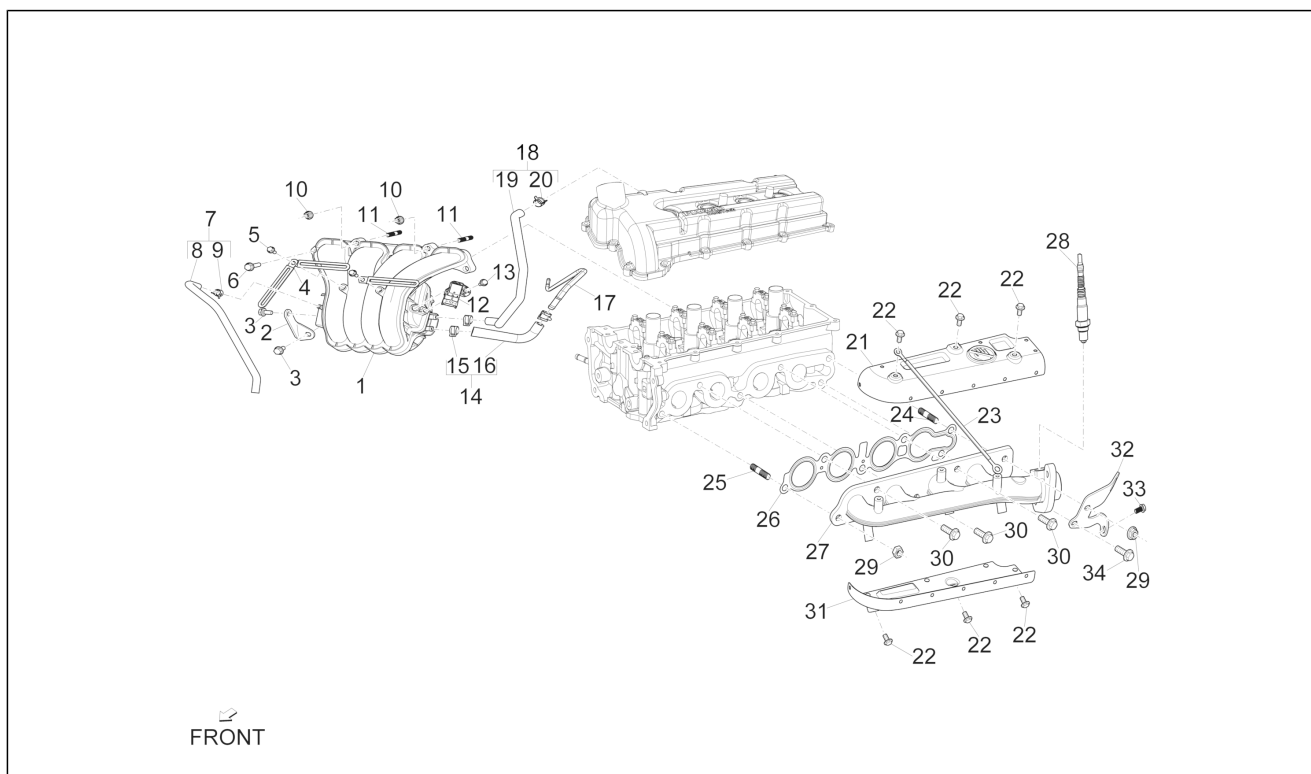
Pos.	Code	Beschreibung	Menge	Varianten
1	1A005616	Rail komplett	1	
2	1A005466	Sechskantschraube geflanscht M8x16	2	
3	1A005623	Sechskantschraube mit Flansch M6x40	4	
4	1A005622	Drosselkörper für Einspritzung	1	

Einheit	Motor
Code	01.33
Beschreibung	Einlass- und Auslassstutzen
Inspektion	1



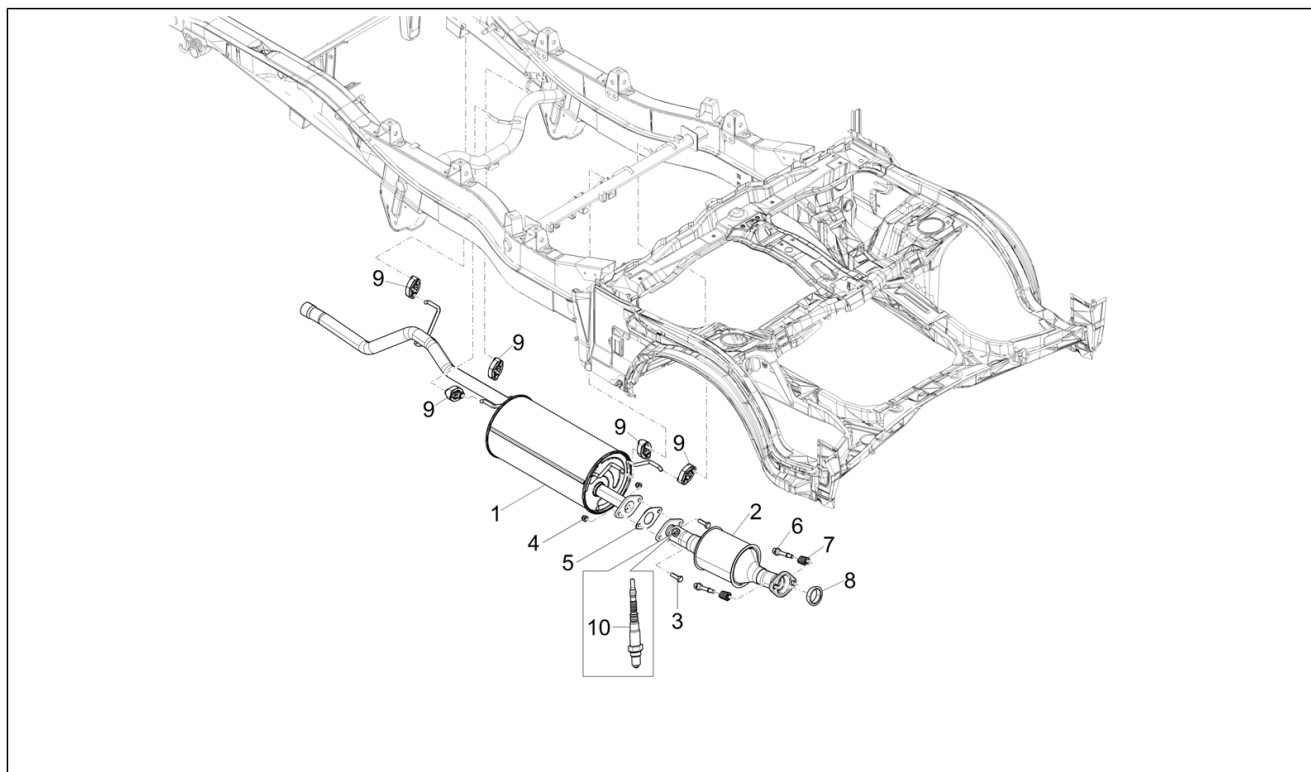
Pos.	Code	Beschreibung	Menge	Varianten
1	1A005619	Ansaugkrümmer kompl.	1	
2	1A005624	Bügel	1	
3	1A005539	Sechskantschraube mit Flansch M8x16	2	
4	1A005523	Platte	1	
5	B010018	Sechskantschraube geflanscht M6x12	1	
6	1A005482	Sechskantschraube mit Flansch M8x35	1	
7	1A005620	Leitung	1	
8	1A005621	Leitung	1	
9	1A005581	Schelle	1	
10	1A005572	Sechskantmutter geflanscht M8	2	
11	1A005571	Stiftschraube	2	
12	1A005627	Temperatur- und Luftdrucksensor	1	
13	1A005629	Sechskantschraube mit Flansch	1	
14	1A003095	Baugruppe Druckleitung	1	
15	1A005625	Schelle	1	
16	1A005626	Leitung	1	
17	1F000083	Druckleitung	1	
18	1A005630	Baugruppe Leitung	1	
19	1A005631	Leitung	1	
20	1A005625	Schelle	2	
21	1A005635	Oberer Hitzeschutz	1	
22	B010018	Sechskantschraube geflanscht M6x12	6	
23	1A005634	Massekabel Motor	1	
24	1A005641	Stiftschraube mittellanges Einschraubende	2	
25	1A005639	Stiftschraube mittellanges Einschraubende	1	
26	1A005640	Dichtung Auspuffrohr	1	
27	1A005632	Auspuffkrümmer kompl.	1	
28	1D001216	Lambdasonde (Vor-Katalysator)	1	

Einheit	Motor
Code	01.33
Beschreibung	Einlass- und Auslassstutzen
Inspektion	1



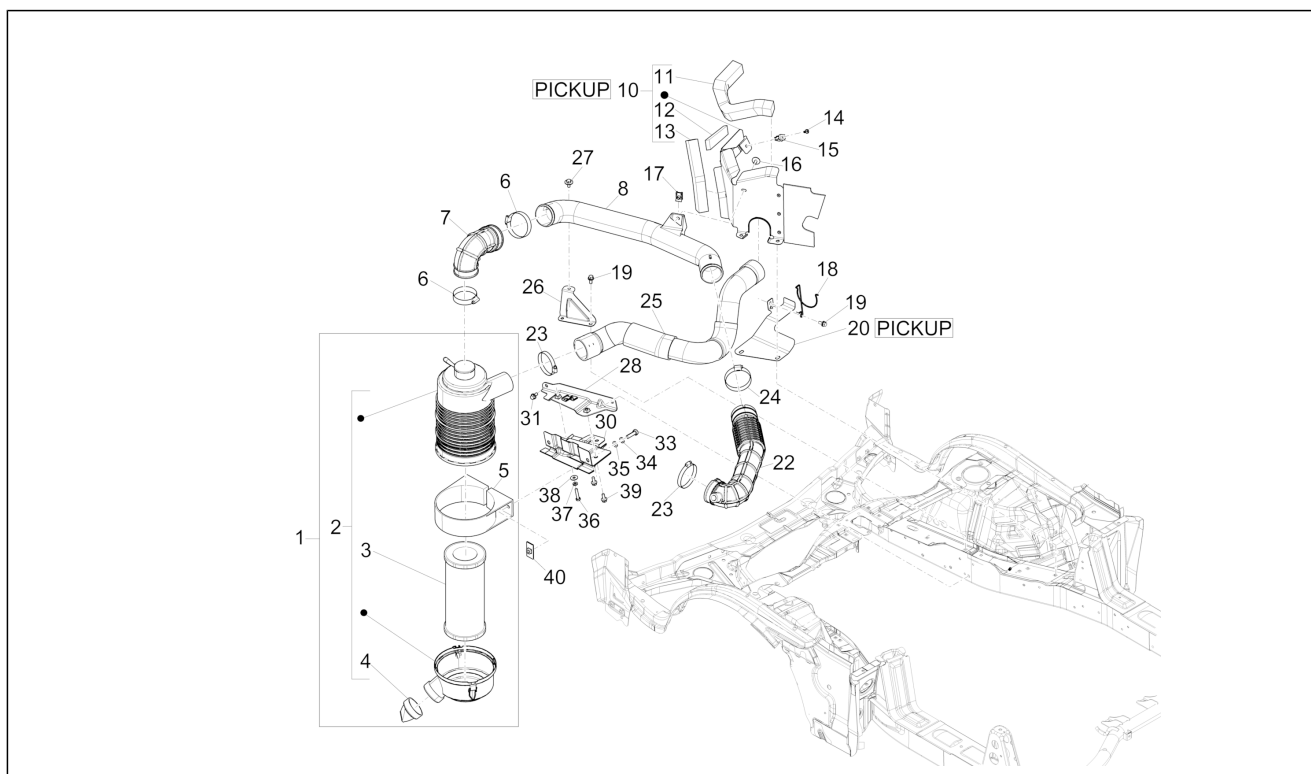
Pos.	Code	Beschreibung	Menge	Varianten
29	1A005638	Sechskantmutter geflanscht M10x1.25	2	
30	1A005487	Sechskantschraube mit Flansch	3	
31	1A005636	Unterer Hitzeschutz	1	
32	1A005642	Bügel	1	
33	1A005653	Sechskantschraube geflanscht	1	
34	1A005643	Sechskantschraube geflanscht	1	

Einheit	Motor
Code	01.37
Beschreibung	Auspufftopf
Inspektion	1



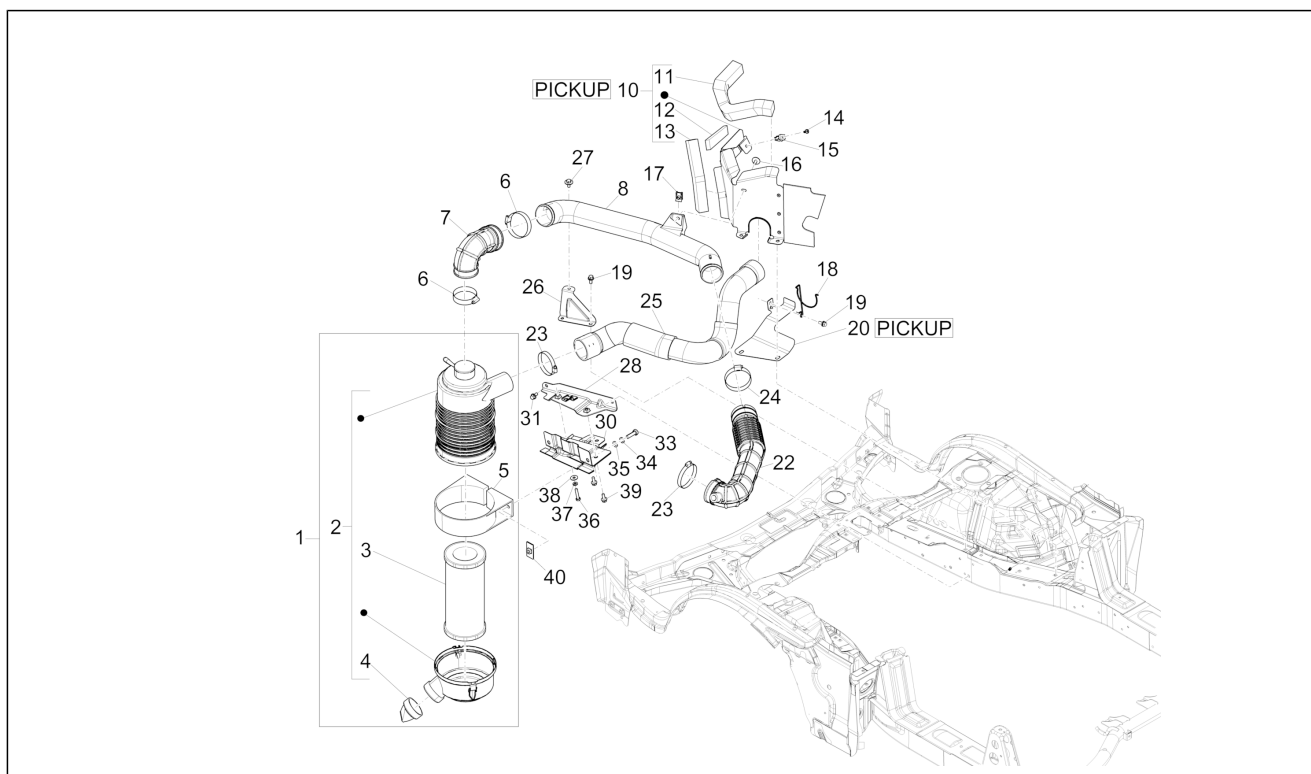
Pos.	Code	Beschreibung	Menge	Varianten
1	B005218	Auspuffrohr	1	
2	1E0008705	Umformer komplett	1	
2	1E0012925	Umformer komplett	1	Modellversion: Für Modelle HS (High Slope)[HS]
2	1E0031765	Umformer komplett	1	Modellversion: Für Modelle HS (High Slope)[HS] Modell: For Euro 6 C type-approved models[E6-C]
3	9111261035000	Schraubbolzen	2	
4	9004179187000	Geflanschte Mutter	2	
5	B005007	Dichtung Auspuffrohr	1	
6	B005203	Schraubbolzen	2	
7	B007004	Feder Auspuffrohre	2	
8	B005202	Dichtung Auspuffendrohre	1	
9	1756787Z03000	Auspuffrohrhalter	5	
10	1D001216	Lambdasonde (Vor-Katalysator)	1	

Einheit	Motor
Code	01.38
Beschreibung	Luftfilter
Inspektion	1



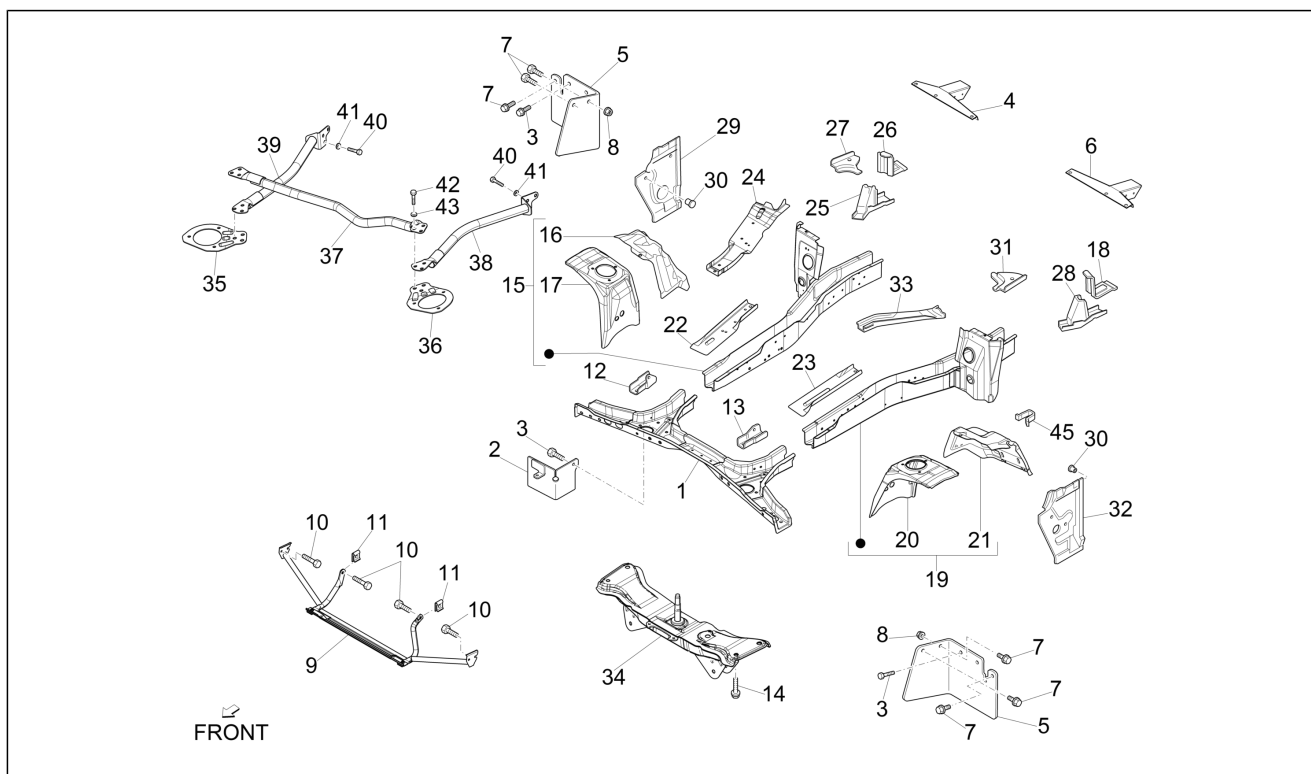
Pos.	Code	Beschreibung	Menge	Varianten
1	B005663	Luftfilter Kpl.	1	
2	B005205	Luftfilter	1	
3	B005660	Filter	1	
4	B005661	Entlüftungsventil	1	
5	B005209	Bügel	1	
6	180678	Schlauchschelle	3	
7	1E000405	Leitung Luftfilter Nr. 1	1	
8	1E000406	Leitung Luftfilter Nr. 2	1	
10	1E000543	Schutz Lufteinlass kompl.	1	
11	1787987Z05000	Dichtung	1	
12	1787987Z04000	Dichtung	1	
13	1787987Z03000	Dichtung	1	
14	D9356715014	Sechskantschraube	1	
15	B004982	Puffer	1	
16	9004119260000	Schraubbolzen	3	
17	254485	Federplättchen M6	2	
18	9004462322000	Schelle	1	
19	D9165140616	Sechskantschraube	5	
20	B005672	Schutz	1	
22	1E000407	Leitung Luftfilter Nr. 3	1	
23	289690	Schelle	2	
24	180678	Schlauchschelle	2	
25	B005553	Ansaugleitung	1	
26	1E000415	Verankerungsbügel Luftleitung mit Innenteilen	1	
27	9004119260000	Schraubbolzen	3	
28	1E001456	Haltebügel Luftfilter	1	
30	1E001456	Haltebügel Luftfilter	1	
31	D9165140616	Sechskantschraube	2	

Einheit	Motor
Code	01.38
Beschreibung	Luftfilter
Inspektion	1



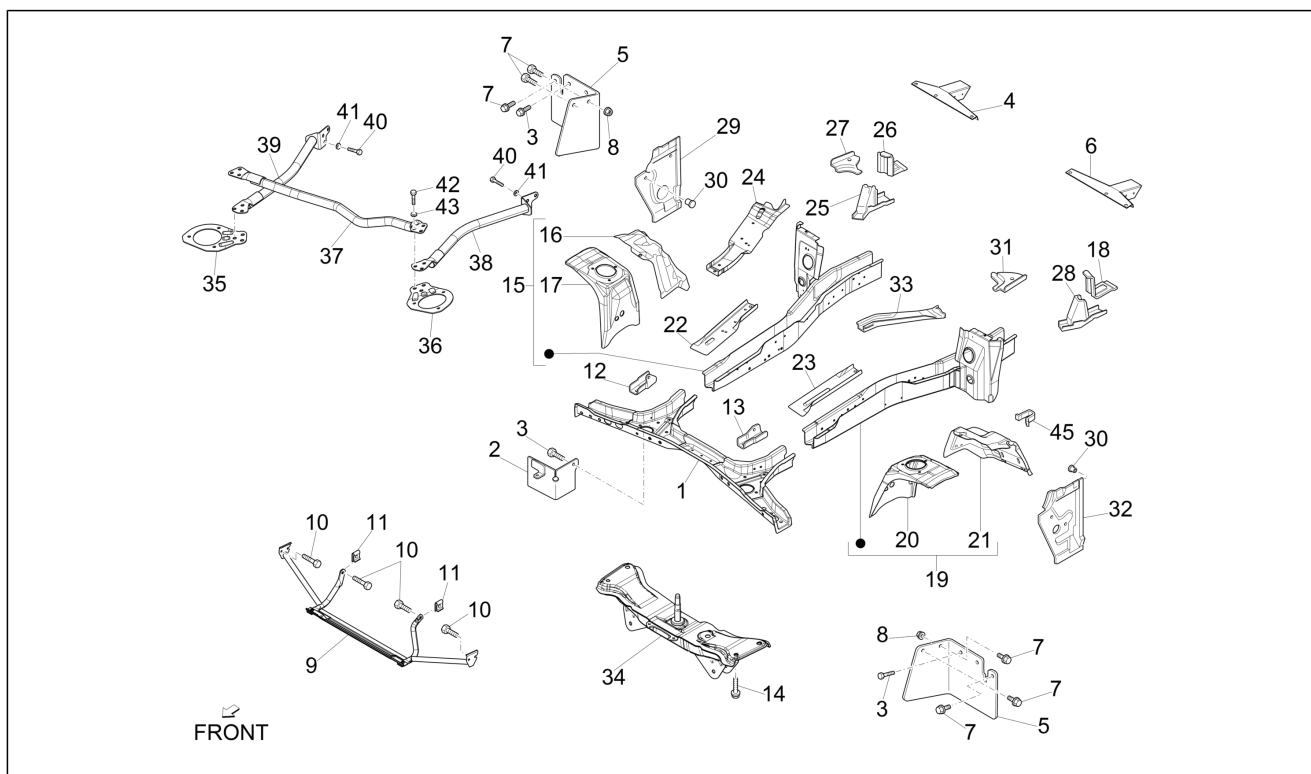
Pos.	Code	Beschreibung	Menge	Varianten
33	031121	Sechskantschraube M8x28	2	
34	016408	Sprengscheibe 13,75x8,15x4,5	2	
35	003058	Flachscheibe 15x8,4x1,5	2	
36	030052	Schraube	1	
37	016406	Federring 6,4x11,8x1	1	
38	016673	Unterlegscheibe	1	
39	D9165160618	Flanschschaube	2	
40	B005688	Anschlagplatte	2	

Einheit	Fahrgestell - Plastikformteil - Karosserien
Code	02.02
Beschreibung	Rahmen/ vordere Karosserieteile
Inspektion	1



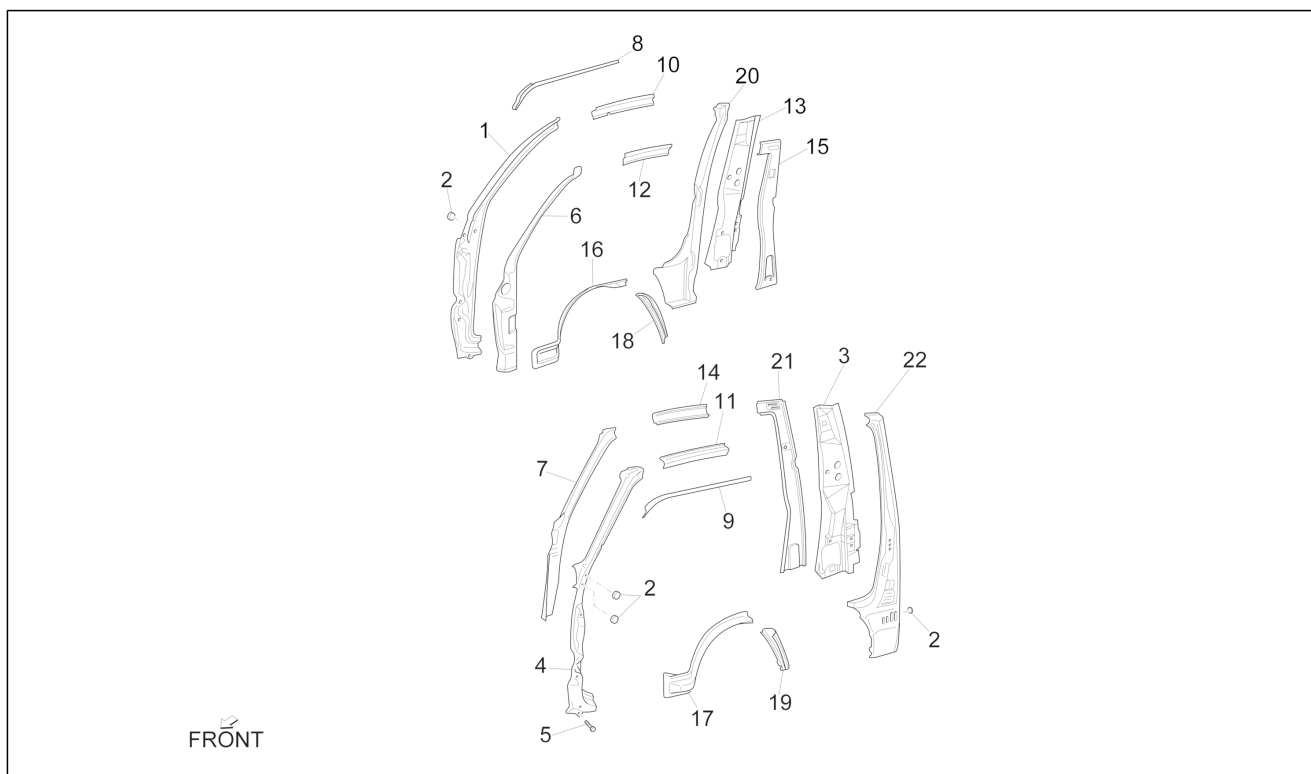
Pos.	Code	Beschreibung	Menge	Varianten
1	1E0000185	Querträger vorne mit Innenteilen	1	
2	7661987Z02000	Vorderes Schutzblech	1	
3	D9004159410	Sechskantschraube	5	
4	B0000805	Abweig rechts innen	1	
5	7662187Z01000	Vorderes Schutzblech	1	
6	B0000015	Abweiglinkes innen	1	
7	9004119341000	Schraubbolzen	6	
8	D9004179081	Mutter	2	
9	5290787Z03000	Kühlerschutz	1	
10	D9165140820	Sechskantschraube	4	
11	D9004181008	Mutter	2	
12	5713387Z01000	Verstärkung re.	1	
13	D5713487Z01	Verstärkung li.	1	
14	661064	Flanschschraube	4	
15	B004745	Längsträger vorne rechts CPI (Pick)	1	
16	D5371187Z06	Schutz vorderer rechter kotflügel	1	
17	B0053295	Halterung Radaufhängung vorne rechts	1	
18	D5171887Z01	Platte	1	
19	B0053475	Längsträger vorne links	1	
20	B0053285	Halterung Radaufhängung vorne links	1	
21	B005631	Schutz vorderer linker kotflügel	1	
22	B0060535	Verschluss Längsträger vorne rechts	1	
23	B0233195	Verschluss Längsträger vorne links	1	
24	B005630	Verschluss vorne rechts	1	
25	1E0015625	Halter rechts	1	
26	B000898	Verschluss CPI, Halterung Nr. 1 rechts	1	
27	D5822387Z025	Verstärkung re.	1	
28	5170487Z01000	Linke Befestigung	1	

Einheit	Fahrgestell - Plastikformteil - Karosserien
Code	02.02
Beschreibung	Rahmen/ vordere Karosserieteile
Inspektion	1



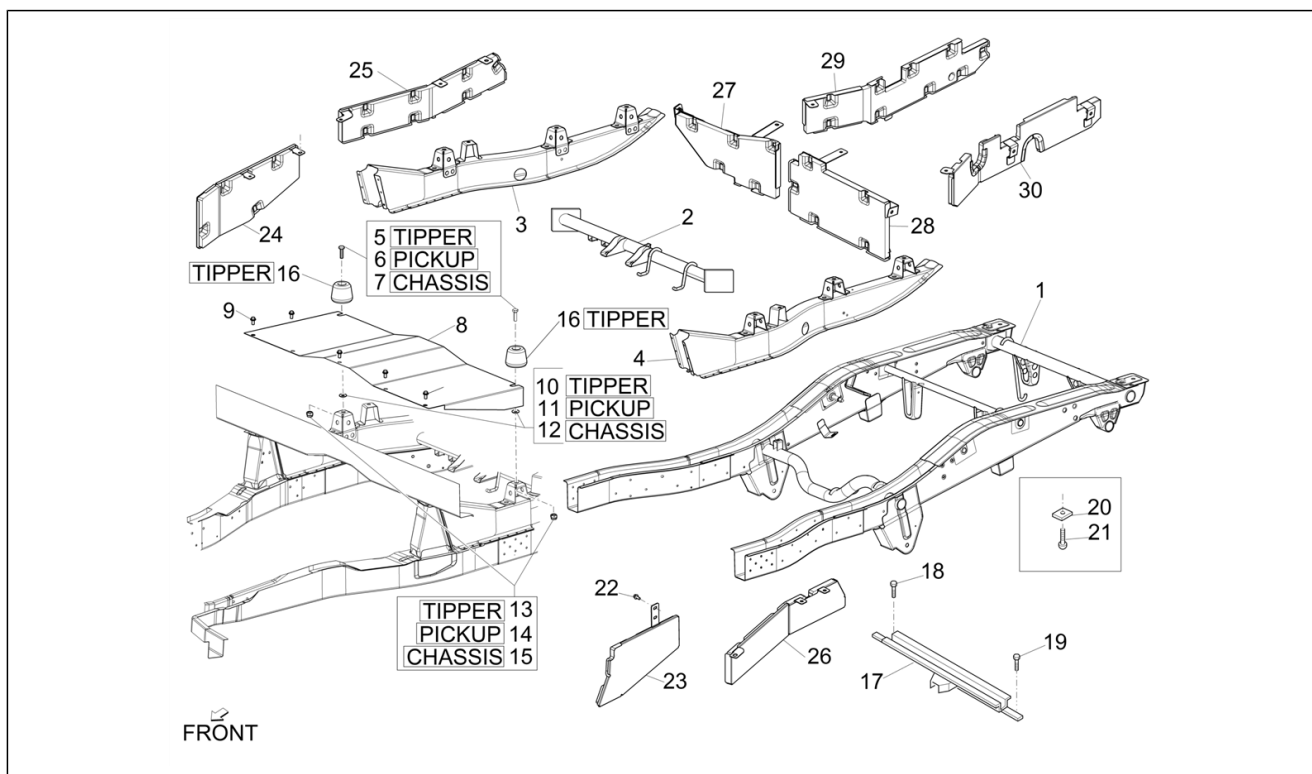
Pos.	Code	Beschreibung	Menge	Varianten
29	B0070125	Mittlere Halterung innen mit Verst. rechts	1	
30	9004874013000	Deckel D26	2	
31	D5822487Z02	Verstärkung li.	1	
32	5820487Z01000	Pfosten links	1	
33	D5711687Z03	Verschluss vorne links	1	
34	B0234385	Federung traverse	1	
35	B000046	Rechte Verankerungsplatte Stange	1	
36	B000045	Linke Verankerungsplatte Stange	1	
37	B023323	Stange mit Innenteilen	1	
38	B000051	Stange links	1	
39	B000050	Stange rechts	1	
40	031090	Sechskantschraube	6	
41	436695	Tellerfeder $\varnothing 6,4 \times \varnothing 20 \times 2$	6	
42	661064	Flanschschraube	6	
43	834187	Sprengscheibe 16x8,2x2,2	6	
45	5811787Z01000	Halter wagenheber	1	

Einheit	Fahrgestell - Plastikformteil - Karosserien
Code	02.03
Beschreibung	Rahmen/ seitliche Karosserieteile
Inspektion	1



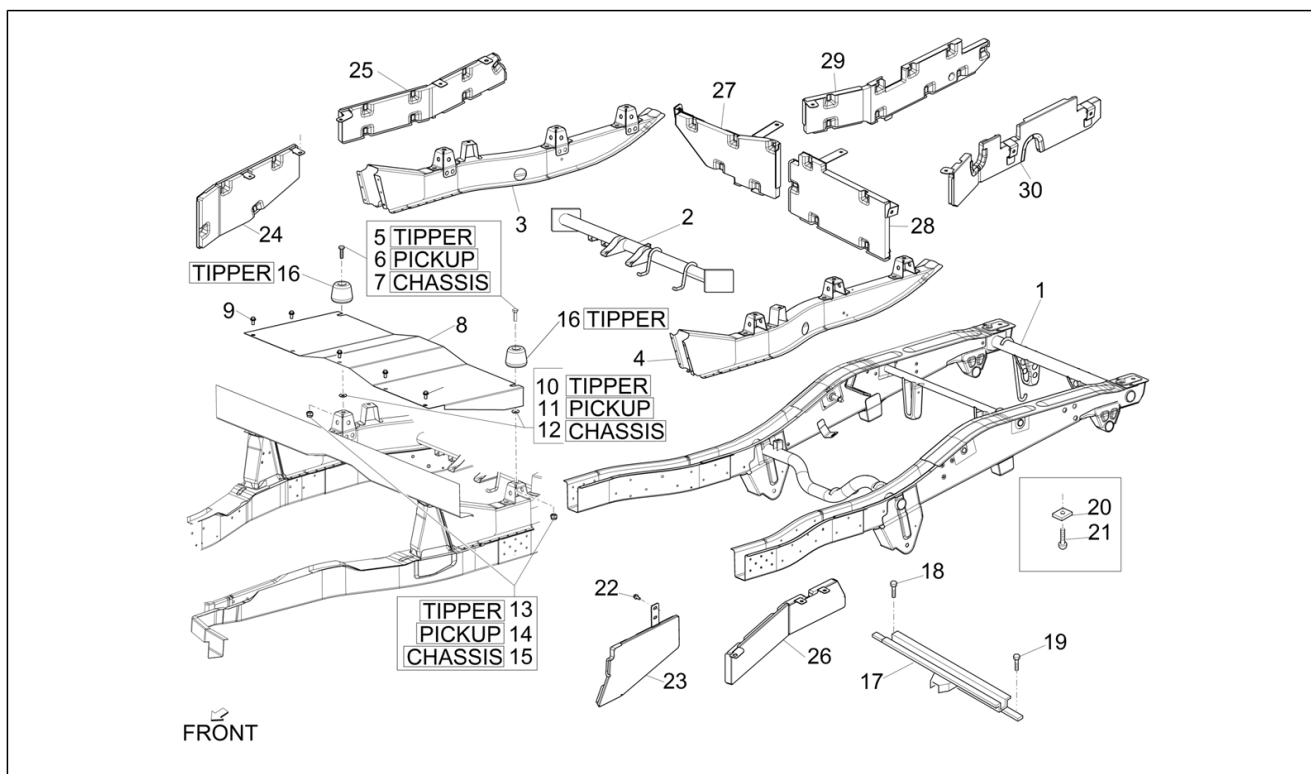
Pos.	Code	Beschreibung	Menge	Varianten
1	6102787Z01000	Äußerer pfosten vorne rechts	1	
2	D9004874004	Deckel	2	
3	6419187Z01000	Verstärkung links	5	
4	6102887Z02000	Äußerer pfosten vorne links	1	
5	9162140610000	Schraubbolzen	2	
6	6102387Z14000	Pfosten rechts	1	
7	6102487Z14000	Pfosten links	1	
8	6126187Z01000	Abtropfrinne rechts	1	
9	6126287Z01000	Abtropfrinne links	1	
10	6121187Z02000	Führer	1	
11	6121287Z02000	Führer	1	
12	6123187Z04000	Führer	1	
13	6419287Z01000	Verstärkung rechts	1	
14	6123287Z03000	Führer	1	
15	6413587Z01000	Not available	1	
16	493801	Kotfègel	1	
17	D6142287Z014	Kotflügel links	1	
18	6142587Z01000	Kotflügel hinten rechts	1	
19	6142687Z01000	Kotflügel hinten links	1	
20	6130187Z01000	Pfosten rechts	1	
21	2632315	Pfosten links	1	
22	6130287Z01000	Pfosten links	1	

Einheit	Fahrgestell - Plastikformteil - Karosserien
Code	02.04
Beschreibung	Rahmen/ hintere Karosserieteile
Inspektion	1



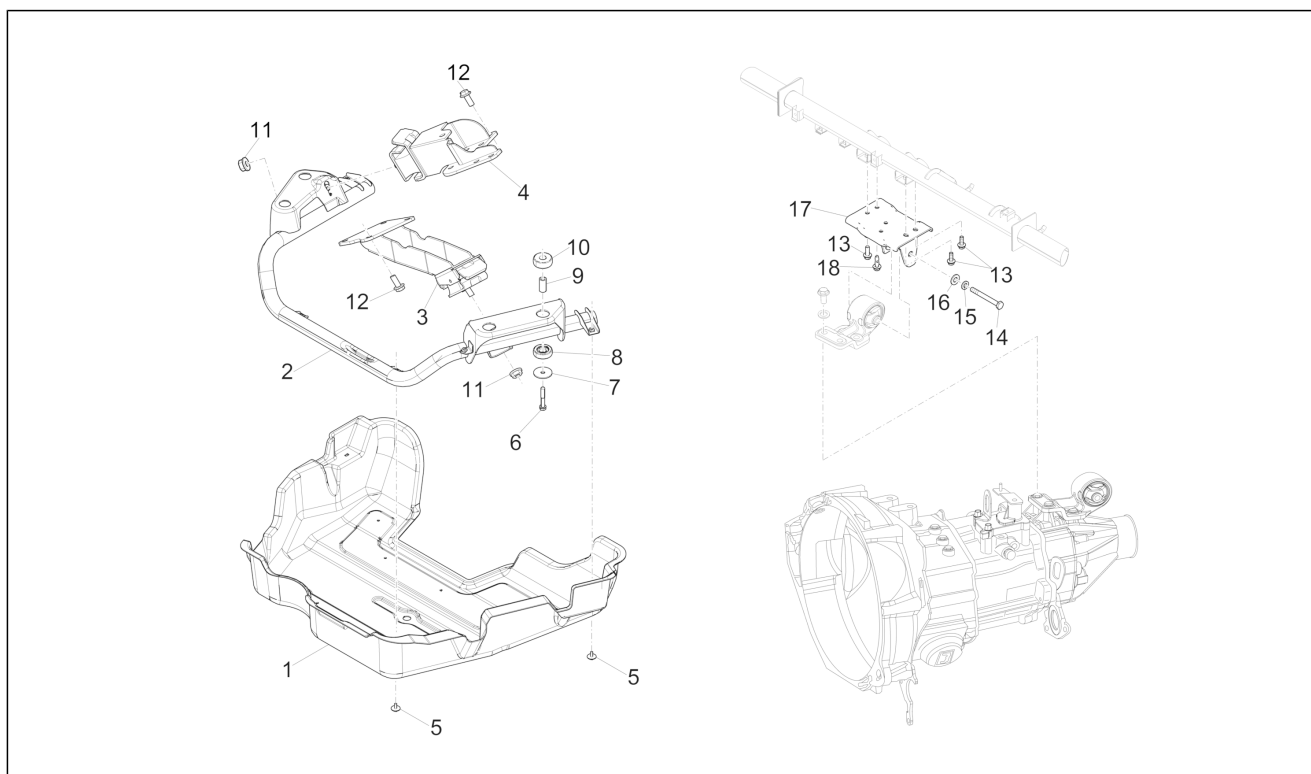
Pos.	Code	Beschreibung	Menge	Varianten
1	1E0010245	Heckrahmen mit Innenteilen	1	
2	1E0003545	Querträger Halterung Getriebe Innenteile	1	
3	1E0010715	Oberer Längsträger rechts	1	
4	1E0011715	Oberer Längsträger links	1	
5	583480	Schraube	2	
6	264886	Schraube	2	
7	031157	Sechskantschraube M10x30	2	
8	1E001500	Oberer Motorschutz mit Schalldämmung	1	
9	013962	Unterlegscheibe	2	
10	078783	Unterlegscheibe	2	
11	016626	U.scheibe 10,4x18x2	2	
12	078783	Unterlegscheibe	2	
13	002440	Mutter, selbstsichernd M10	2	
14	967356	Geflanschte Mutter M10x1,25	1	
15	002440	Mutter, selbstsichernd M10	2	
16	B000071	Zentrierung kippbare Ladefläche	2	
17	1E0017975		1	
18	D9165140614	Sechskantschraube	1	
19	9165141025000	Schraubbolzen	1	
20	9004541144000	Puffer	2	
21	9352014014000	Befestigungsschraube	1	
22	9165160616000	Schraubbolzen	4	
23	1E001504	Abdeckung linke Seite Motor mit Schalldämmung	1	
23	1E001504	Abdeckung linke Seite Motor mit Schalldämmung	1	Modellversion: Für Modelle HS (High Slope)[HS]
24	1E001503	Abdeckung rechte Seite Motor mit Schalldämmung	1	
24	1E001503	Abdeckung rechte Seite Motor mit Schalldämmung	1	Modellversion: Für Modelle HS (High Slope)[HS]
25	1E0032655		1	Modellversion: Für Modelle HS (High Slope)[HS]
26	1E003262		1	Modellversion: Für Modelle HS (High Slope)[HS]

Einheit	Fahrgestell - Plastikformteil - Karosserien
Code	02.04
Beschreibung	Rahmen/ hintere Karosserieteile
Inspektion	1



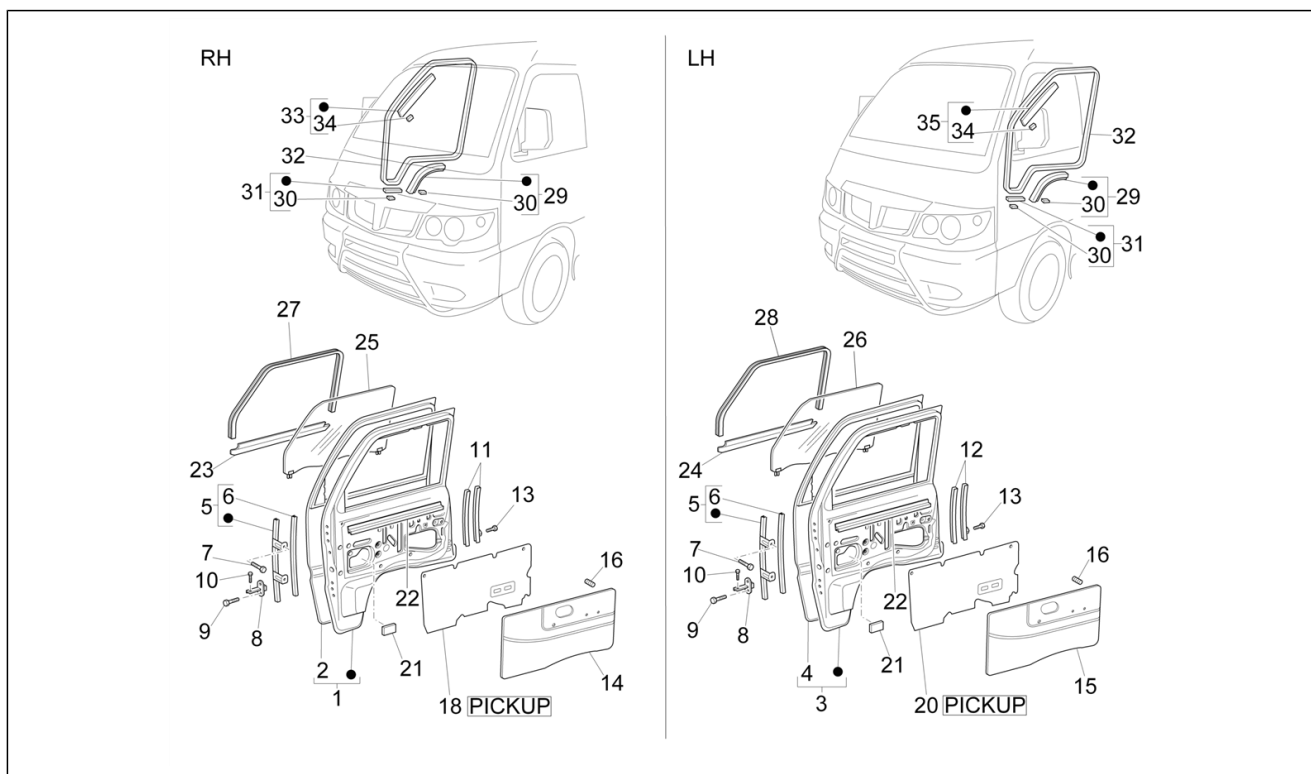
Pos.	Code	Beschreibung	Menge	Varianten
27	1E0032925		1	Modellversion: Für Modelle HS (High Slope)[HS]
28	1E0032935		1	Modellversion: Für Modelle HS (High Slope)[HS]
29	1E003329		1	Modellversion: Für Modelle HS (High Slope)[HS]
30	1E003326		1	Modellversion: Für Modelle HS (High Slope)[HS]

Einheit	Fahrgestell - Plastikformteil - Karosserien
Code	02.06
Beschreibung	Motorhalterungen
Inspektion	1



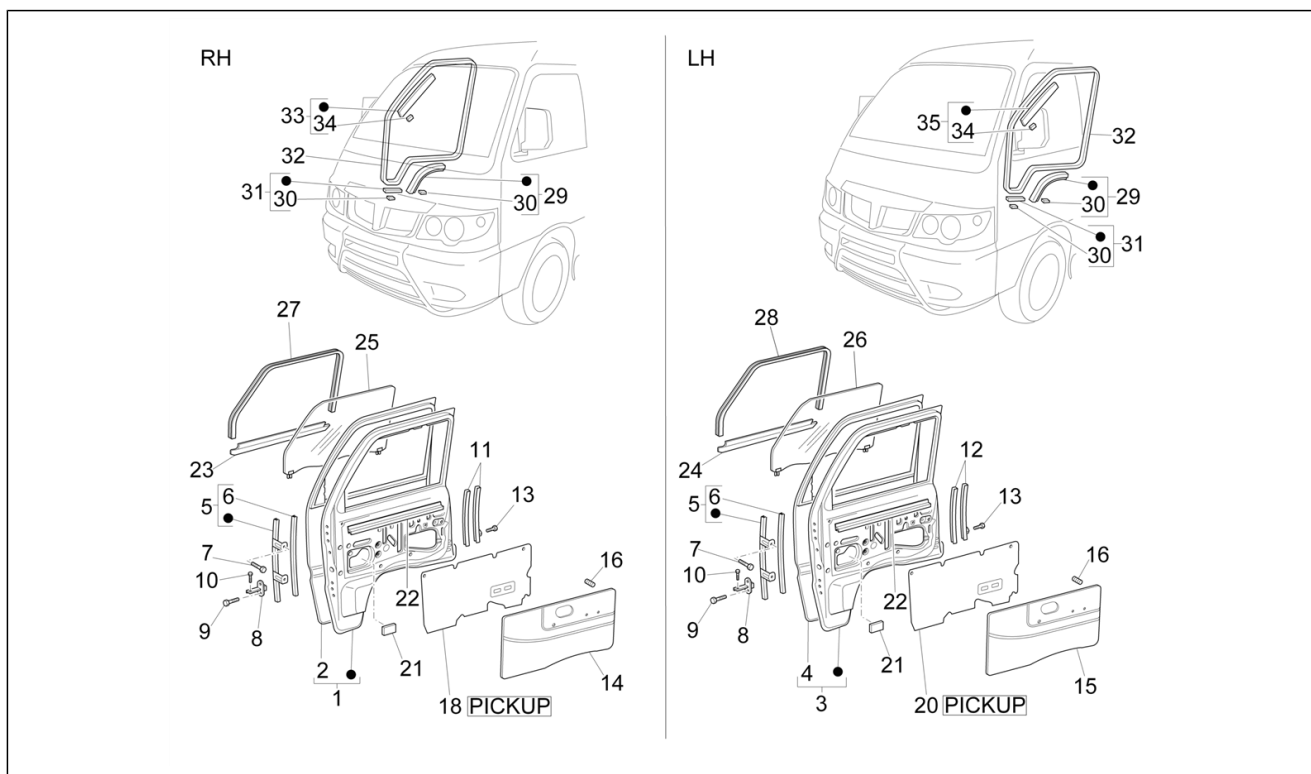
Pos.	Code	Beschreibung	Menge	Varianten
1	1E001591	Unterer Motorschutz	1	
2	1E001238	Rahmen Motorhalterung mit Innenteilen	1	
3	1A005465	Motorbügel links	1	
4	1F000080	Motorbügel rechts	1	
5	264462	Flanschschraube	4	
6	D9004101431	Sechskantschraube	4	
7	9004201291000	Unterlegscheibe	4	
8	9004540073000	Puffer	4	
9	D9004560252	Distanzscheibe	4	
10	9004540074000	Puffer	4	
11	D9004170307	Mutter	2	
12	B010427	Sechskantschraube	9	
13	D9165160825	Schraubbolzen mit Unterlegscheibe	3	
14	262125	Sechskantschraube M10x130	1	
15	016410	Unterlegscheibe 17,6x11x2,5	1	
16	016626	U.scheibe 10,4x18x2	1	
17	B007207	Engine support	1	
18	D9004119554	Schraubbolzen mit Unterlegscheibe	1	
19	1E001563	Schalldämmung unterer Motorschutz	1	

Einheit	Fahrgestell - Plastikformteil - Karosserien
Code	02.07
Beschreibung	Vordere Türen - Scheibe
Inspektion	1



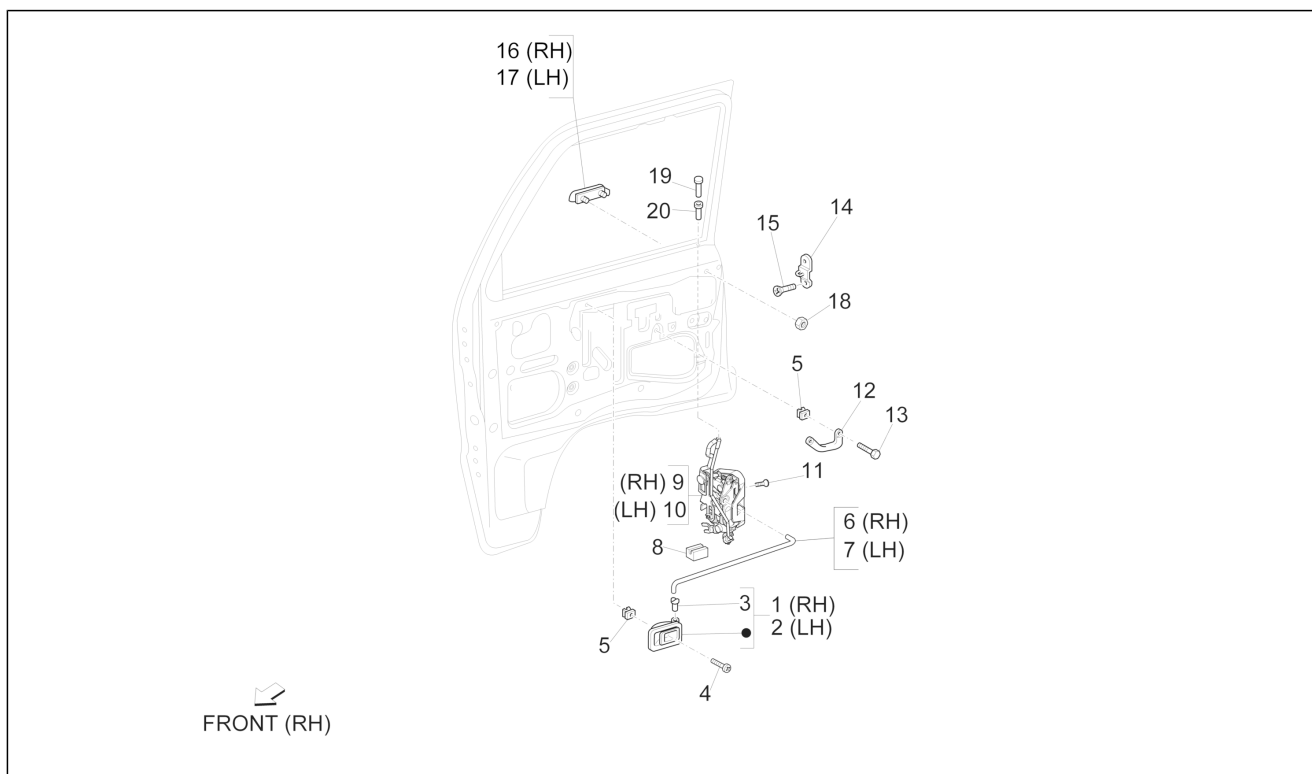
Pos.	Code	Beschreibung	Menge	Varianten
1	6700187Z01000	Vordere Tür rechts	1	
2	6701187Z01000	Äußere rechte türverkleidung	1	
3	6700287Z01000	Vordere Tür links	1	
4	6701287Z01000	Äußere linke türverkleidung	1	
5	D6740187Z01	Schiene Glas	2	
6	6241387Z01000	Dichtung	2	
7	9162140610000	Schraubbolzen	4	
8	6861087Z01000	Türscharnier vorne	2	
9	9162140614000	Schraubbolzen	4	
10	D6861787Z01	Bolzen	2	
11	6740387Z01000	Fensterführung rechts	1	
12	6740487Z01000	Fensterführung links	1	
13	9004119341000	Schraubbolzen	2	
14	615917	Türverkleidung vorne rechts	1	
14	1E001551	Türverkleidung vorne rechts	1	
14	B004491	Türverkleidung vorne rechts	1	
15	615918	Türverkleidung vorne links	1	
15	1E001552	Türverkleidung vorne links	1	
15	B004492	Türverkleidung vorne links	1	
16	6777187Z01000	Schraube	20	
18	6783187Z01000	Innerer türschutz hintertür DX	1	
20	6783287Z01000	Innerer türschutz hintertür SX	1	
21	6781187Z01000	Puffer	2	
22	260850	Dichtung	2	
23	260851	Dichtung re	1	
24	260858	Dichtung li	1	
25	B007338	Türfenster vorne rechts	1	
26	B007339	Türfenster vorne links	1	

Einheit	Fahrgestell - Plastikformteil - Karosserien
Code	02.07
Beschreibung	Vordere Türen - Scheibe
Inspektion	1



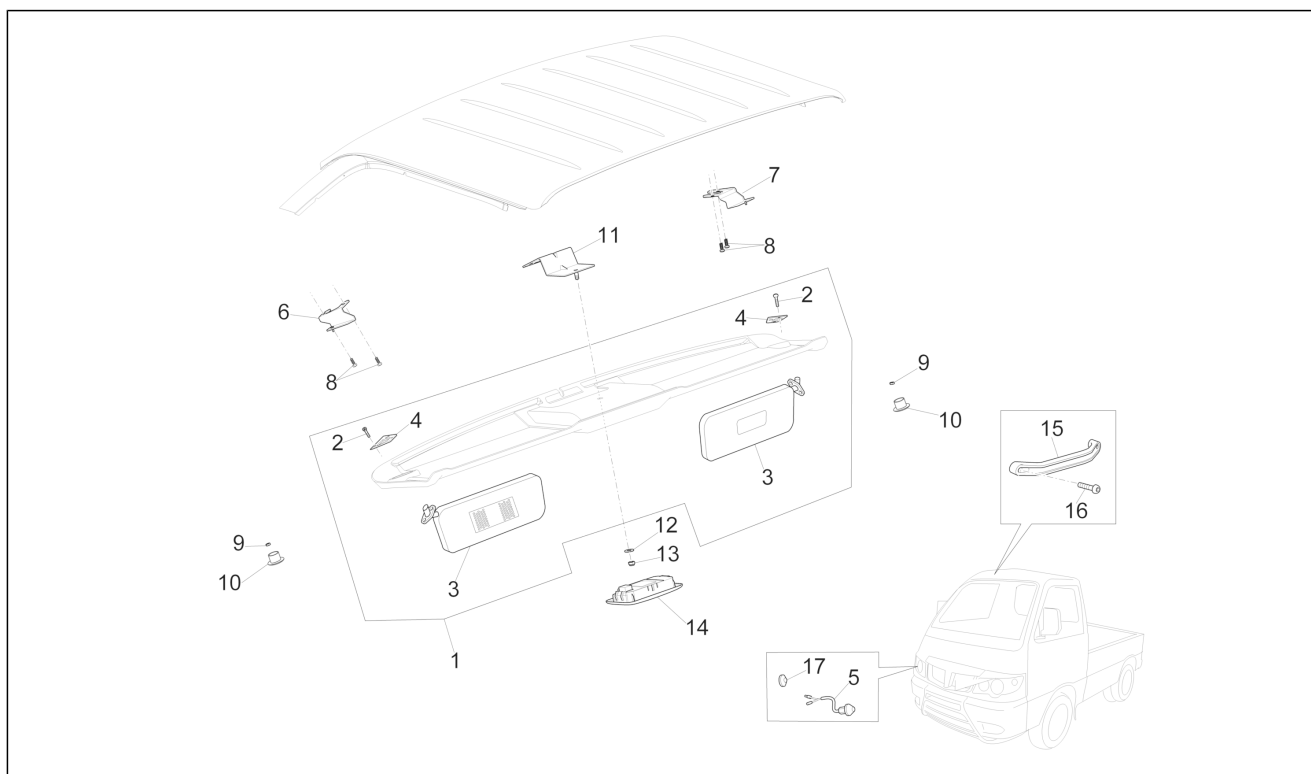
Pos.	Code	Beschreibung	Menge	Varianten
27	261077	Dichtung	1	
28	261078	Dichtung	1	
29	1E002152		2	
30	CM281401		2	
31	1E002151		2	
32	6786187Z01000	Türdichtung	2	
33	1E002149		1	
34	CM281402		2	
35	6821487502000	Schutzleiste links	1	

Einheit	Fahrgestell - Plastikformteil - Karosserien
Code	02.08
Beschreibung	Bauteile vordere Türen
Inspektion	1



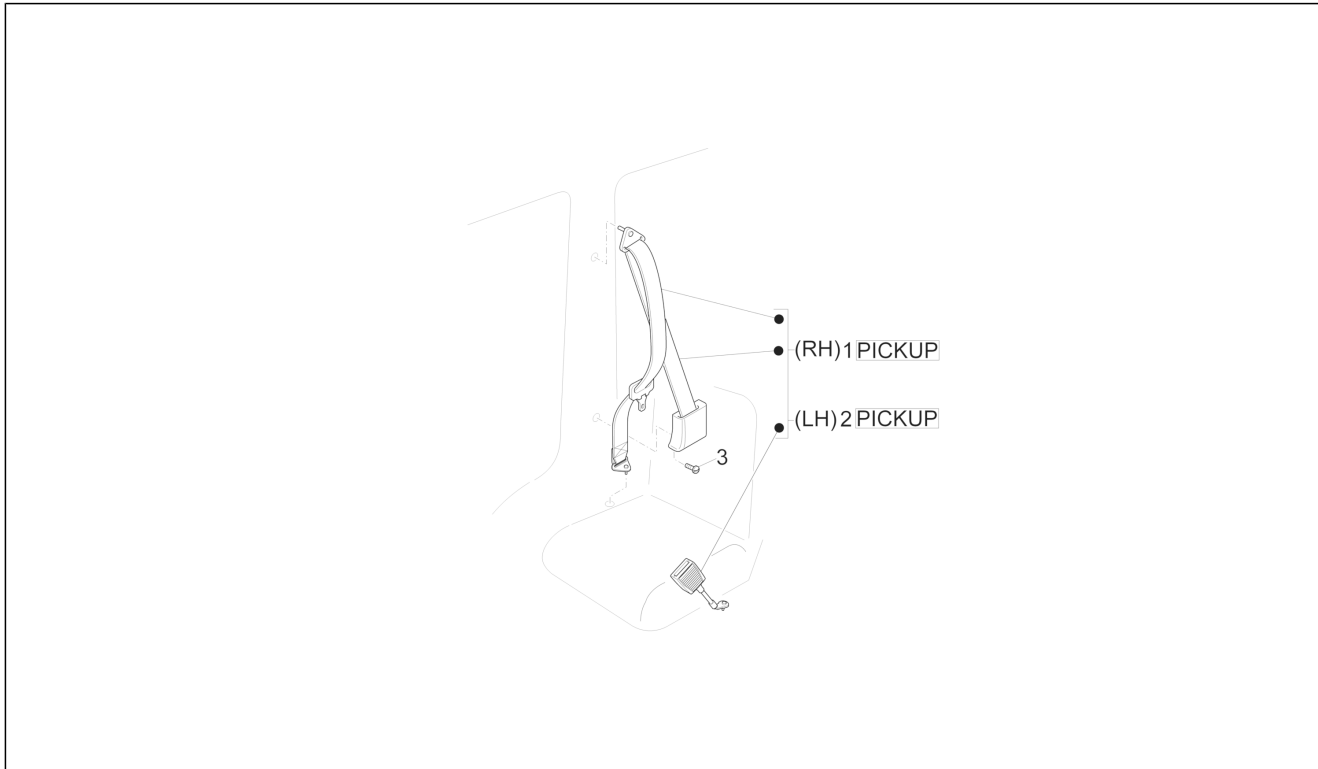
Pos.	Code	Beschreibung	Menge	Varianten
1	6927087Z01000	Türklinke innen rechte tür	1	
2	6928087Z01000	Türklinke innen linke tür	1	
3	6927987Z01000	Bolzen	1	
4	D9353055012	Schraube	2	
5	D9004189019	Kabelführung	6	
6	6971187Z01000	Zugstange türöffnung vorne rechts	1	
7	6971287Z01000	Zugstange türöffnung vorne links	1	
8	6975987Z01000	Puffer	2	
9	B0042833	Türschloss vorne rechts	1	
10	B0042843	Türschloss vorne links	1	
11	D9004159188	Sechskantschraube	6	
12	1E001561	Türklinke vordertür	2	
13	9354056020000	Schraube	4	
14	662510	Fixierplatte	2	
15	9004151029000	Schraube	4	
16	6921087Z01000	Türklinke außen rechte tür	1	
17	6922087Z01000	Türklinke außen linke tür	1	
18	261323	Mutter	4	
19	6974787Z01000	Sperrknopf türverschluss	2	
20	D9004480352	Kabelführung	2	

Einheit	Fahrgestell - Plastformteil - Karosserien
Code	02.13
Beschreibung	Kabinenbauteile
Inspektion	1



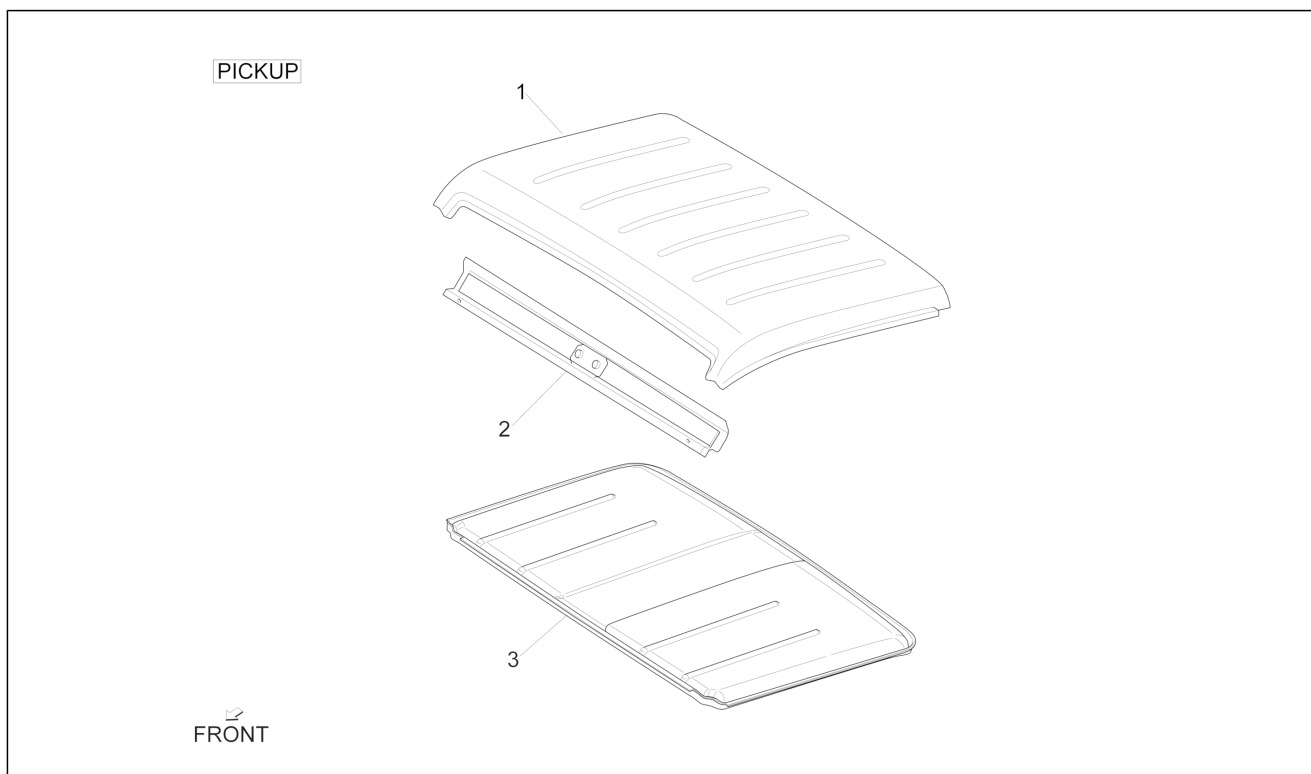
Pos.	Code	Beschreibung	Menge	Varianten
1	B005325	Ablagefläche	1	
2	015900	Blechschaube	2	
3	7431087Z02030	Sonnenblenden	2	
4	B004564	Platte	2	
5	8423087504000	Schalter Innenraumbeleuchtung	2	
6	B004570	Linkes bügel	1	
7	B004571	Rechtes bügel	1	
8	D9004168057	Schraube	4	
9	241937	Mutter, selbstsichernd M5	2	
10	B004629	Verschlusschraube	1	
11	B005658	Mittlerer bügel	1	
12	013880	Flachscheibe 16x6,5x1,5	1	
13	709116	Mutter	1	
14	B004262	Innenraumleuchte	1	
15	7461787Z01030	Griff	3	
16	D9004159110	Sechskantschraube	6	
17	D9004874004	Deckel	1	

Einheit	Fahrgestell - Plastikformteil - Karosserien
Code	02.14
Beschreibung	Sicherheitsgurte
Inspektion	1



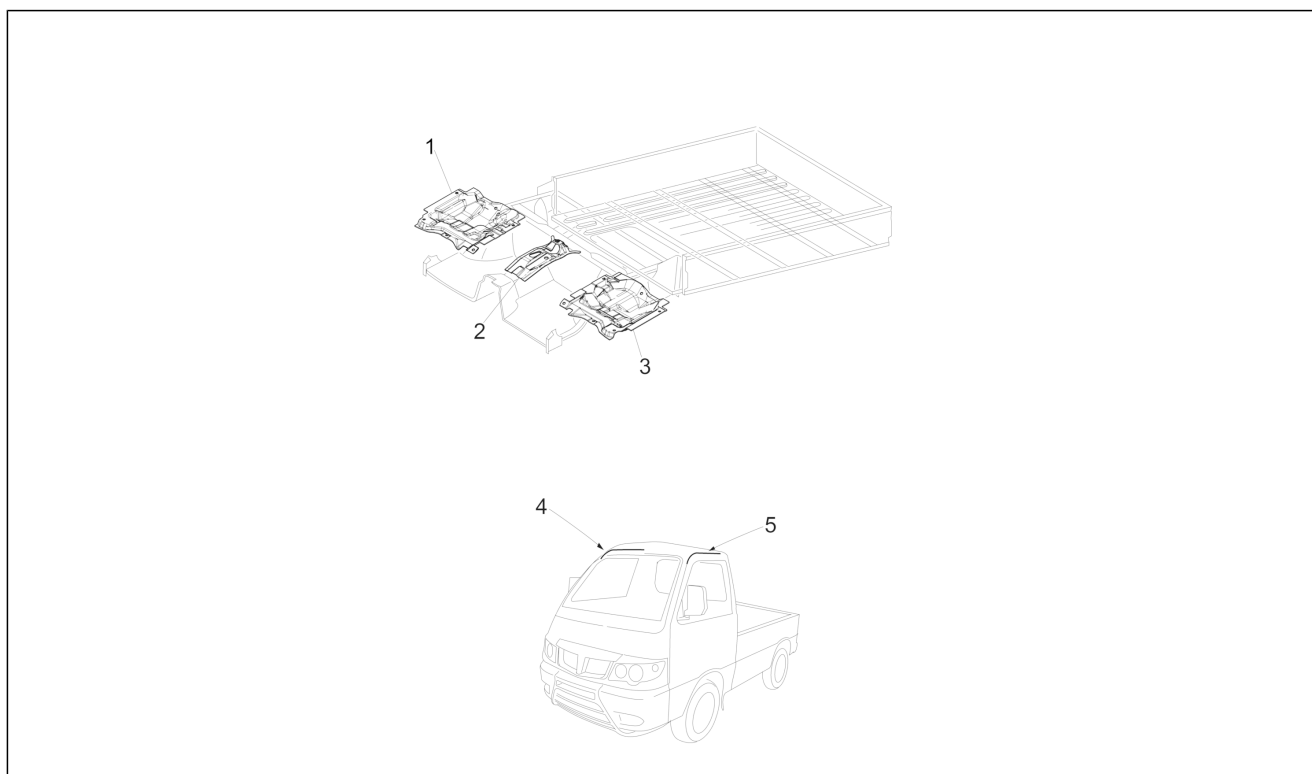
Pos.	Code	Beschreibung	Menge	Varianten
1	56535R	Sicherheitsgurt DX	1	
2	56536R	Sicherheitsgurt SX	1	
3	B026153	Bef.Schraube Sicherheitsgurte	1	

Einheit	Fahrgestell - Plastformteil - Karosserien
Code	02.15
Beschreibung	Dachpaneel
Inspektion	1



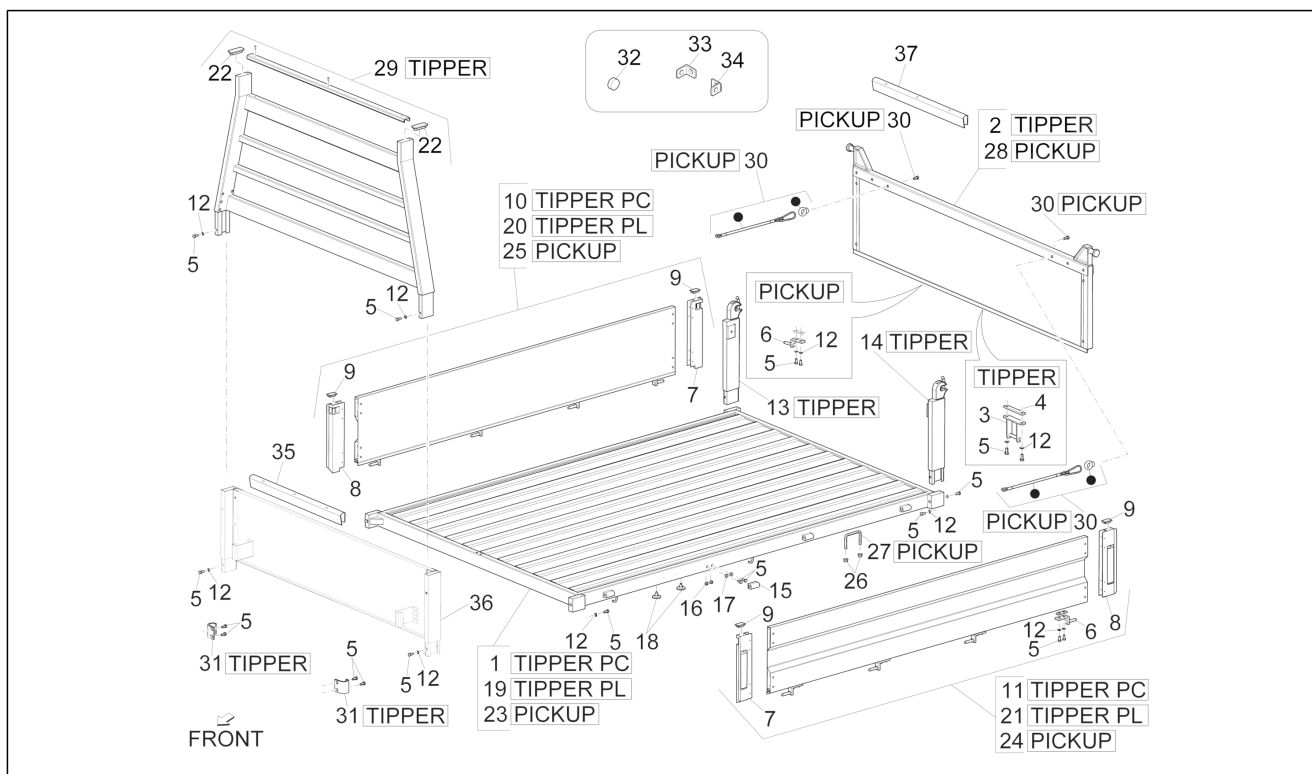
Pos.	Code	Beschreibung	Menge	Varianten
1	6311187Z01000	Dachverkleidung	1	
2	6313287Z01000	Innere verkleidung	1	
3	613694	Verkleidung	1	

Einheit	Fahrgestell - Plastikformteil - Karosserien
Code	02.16
Beschreibung	Isolierungspaneele - Zierleisten
Inspektion	1



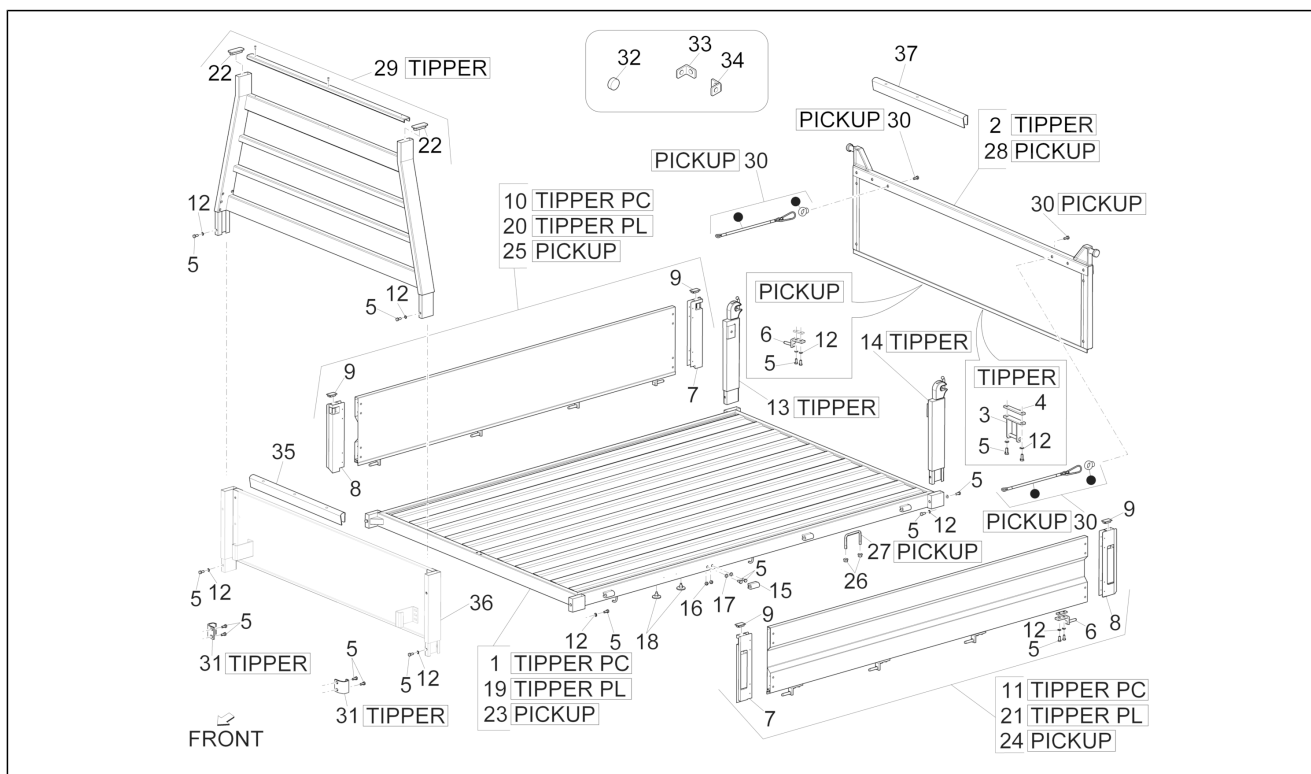
Pos.	Code	Beschreibung	Menge	Varianten
1	B007229	Isolierung unter Sitz rechts	1	
2	B007231	Isolierung unter Sitz Mitte	1	
3	B007230	Isolierung unter Sitz links	1	
4	7555187Z03000	Sims rechts	1	
5	D7555287Z03	Sims links	1	

Einheit	Fahrgestell - Plastikformteil - Karosserien
Code	02.18
Beschreibung	Offene Ladefläche
Inspektion	1



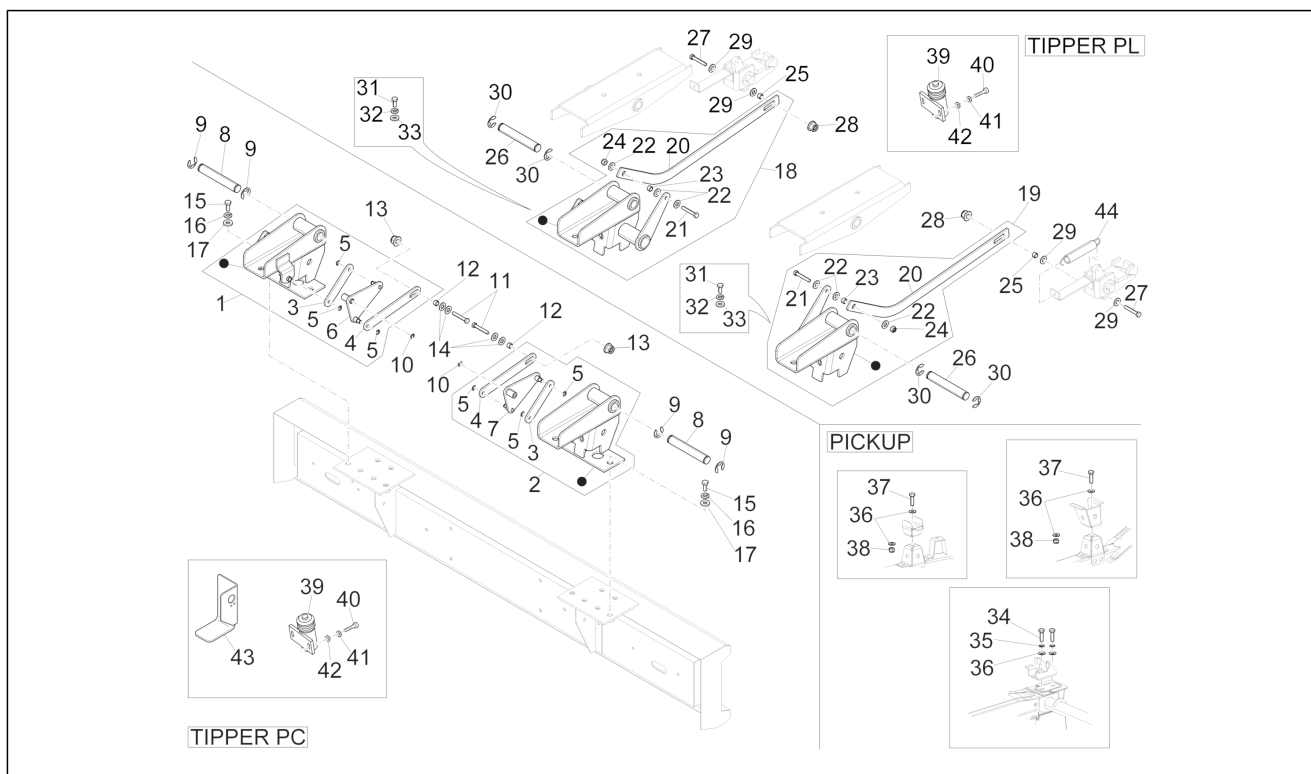
Pos.	Code	Beschreibung	Menge	Varianten
1	B007479	Kippwagenkasten	1	
2	B007474	Bordwand hinten	1	
3	B007475	Gelenk	2	
4	B000224	Platte	2	
5	031119	Sechskantschraube M8x22	24	
6	B000288	Gelenk	10	
7	B000280	Verschluss Ladebordwand vorne LI-hinten RE	2	
8	B000281	Verschluss Ladebordwand vorne RE-hinten LI	2	
9	B000313	Verschlusschraube	4	
10	B007471	Ladeflächen-Bordwand rechts komplett	1	
11	B007473	Ladeflächen-Bordwand links komplett	1	
12	834187	Sprengscheibe 16x8,2x2,2	20	
13	B000296	Säule hinten rechts	1	
14	B000275	Säule hinten links	1	
15	B000289	Gelenk	10	
16	031119	Sechskantschraube M8x22	40	
17	834187	Sprengscheibe 16x8,2x2,2	20	
18	B000225	Puffer	2	
19	B007479	Kippwagenkasten	1	
20	B000278	Seitliche Bordwand rechts	1	
21	B000605	Seitliche Bordwand links	1	
22	B000314	Verschlusschraube	2	
23	B007480	Festes bodenblech	1	
24	B000223	Seitliche Bordwand rechts	1	
25	B000306	Seitliche Bordwand links	1	
26	967363	Mutter M8x1,25	8	
27	B000303	Bügelschraube Seilspannung	4	
28	B000307	Bordwand hinten	1	

Einheit	Fahrgestell - Plastikformteil - Karosserien
Code	02.18
Beschreibung	Offene Ladefläche
Inspektion	1



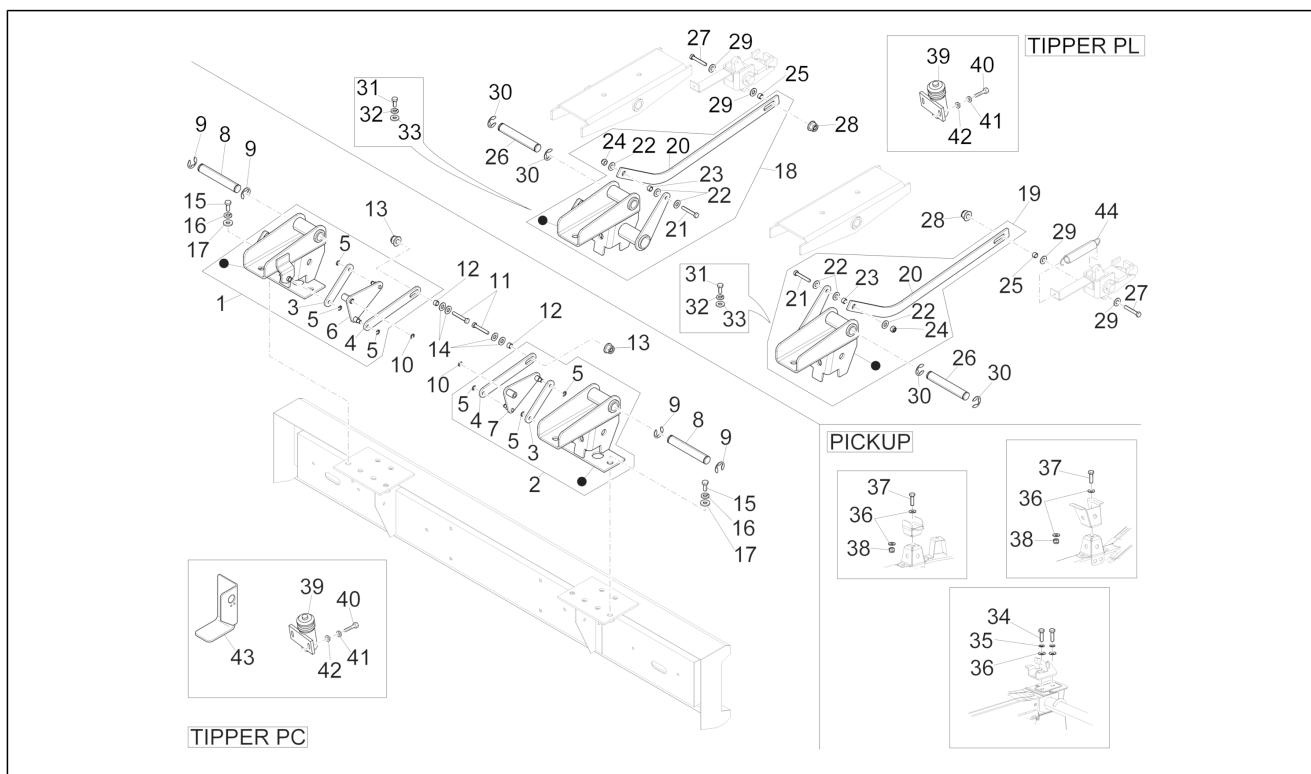
Pos.	Code	Beschreibung	Menge	Varianten
29	1E000541	Kabinenschutz mit Innenteilen	1	
30	B000317	Spannstange	1	
31	B000213	Sicherheitsbügel	2	
32	D9004874004	Deckel	8	
33	6633187Z01000	Puffer	1	
34	6633287Z01000	Puffer	1	
35	CM037601	Schutz vordere Bordwand	1	
36	B023352	Bordwand vorne	1	
37	CM037602	Schutz Heckwand	1	

Einheit	Fahrgestell - Plastikformteil - Karosserien
Code	02.20
Beschreibung	Ladeflächenbauteile
Inspektion	1



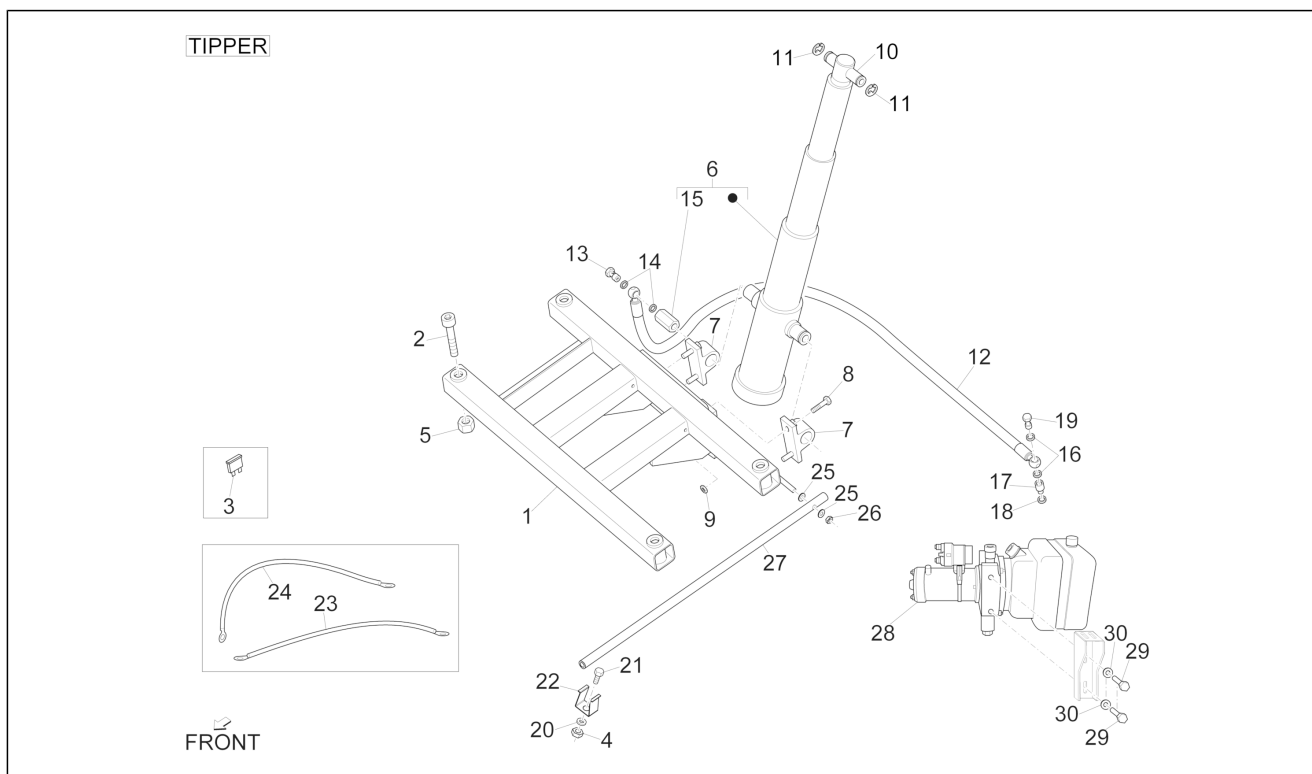
Pos.	Code	Beschreibung	Menge	Varianten
1	B004945	Scharnier Re komplett	1	
2	B000210	Scharnier Li komplett	1	
3	B000339	Öffnungshebel	2	
4	B000340	Externer Hebel	2	
5	620970	Sprengring	6	
6	B000337	Öffnungshebel Heckwand	1	
7	B000341	Öffnungshebel Heckwand	1	
8	B000315	Bolzen	2	
9	B000608	Sprengring	4	
10	620970	Sprengring	2	
11	030072	Schraube M8x35	2	
12	B000227	Distanzscheibe	2	
13	967363	Mutter M8x1,25	2	
14	002383	Unterlegscheibe M20x8.5x2	4	
15	B004264	Sechskantschraube M10x1,25x35	6	
16	178790	Flachscheibe	6	
17	016410	Unterlegscheibe 17,6x11x2,5	6	
18	B007496	Scharnier Re komplett	1	
19	B025739	Scharnier Li komplett	1	
20	B007493	Auslösehebel	2	
21	030072	Schraube M8x35	2	
22	002383	Unterlegscheibe M20x8.5x2	6	
23	B000227	Distanzscheibe	2	
24	709052	Selbstsperr.mut Unt.	2	
25	B004913	Buchse	2	
26	B000315	Bolzen	2	
27	030072	Schraube M8x35	2	
28	967363	Mutter M8x1,25	2	

Einheit	Fahrgestell - Plastikformteil - Karosserien
Code	02.20
Beschreibung	Ladeflächenbauteile
Inspektion	1



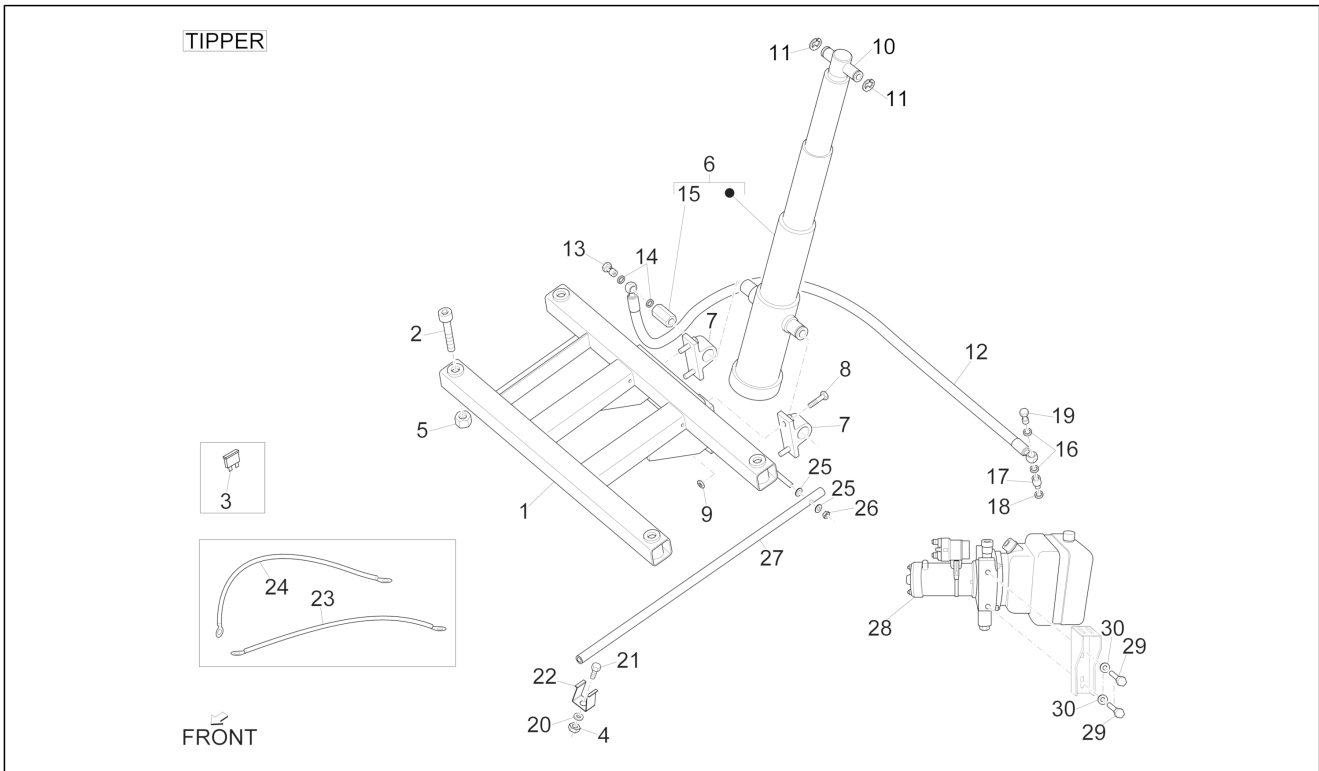
Pos.	Code	Beschreibung	Menge	Varianten
29	002383	Unterlegscheibe M20x8.5x2	4	
30	B000608	Sprengring	4	
31	B004264	Sechskantschraube M10x1,25x35	6	
32	178790	Flachscheibe	6	
33	016410	Unterlegscheibe 17,6x11x2,5	6	
34	B004264	Sechskantschraube M10x1,25x35	4	
35	016410	Unterlegscheibe 17,6x11x2,5	2	
36	016626	U.scheibe 10,4x18x2	2	
37	264886	Schraube	2	
38	967356	Geflanschte Mutter M10x1,25	2	
39	B000182	Laufende	1	
40	018544	Schraube	1	
41	013763	Flachscheibe 4,2x12x1	1	
42	016404	Flachscheibe 4,2x7,6x0,9	1	
43	B004937	Reifen	1	
44	B007502	Feder	1	

Einheit	Fahrgestell - Plastikformteil - Karosserien
Code	02.23
Beschreibung	Kippsystem
Inspektion	1



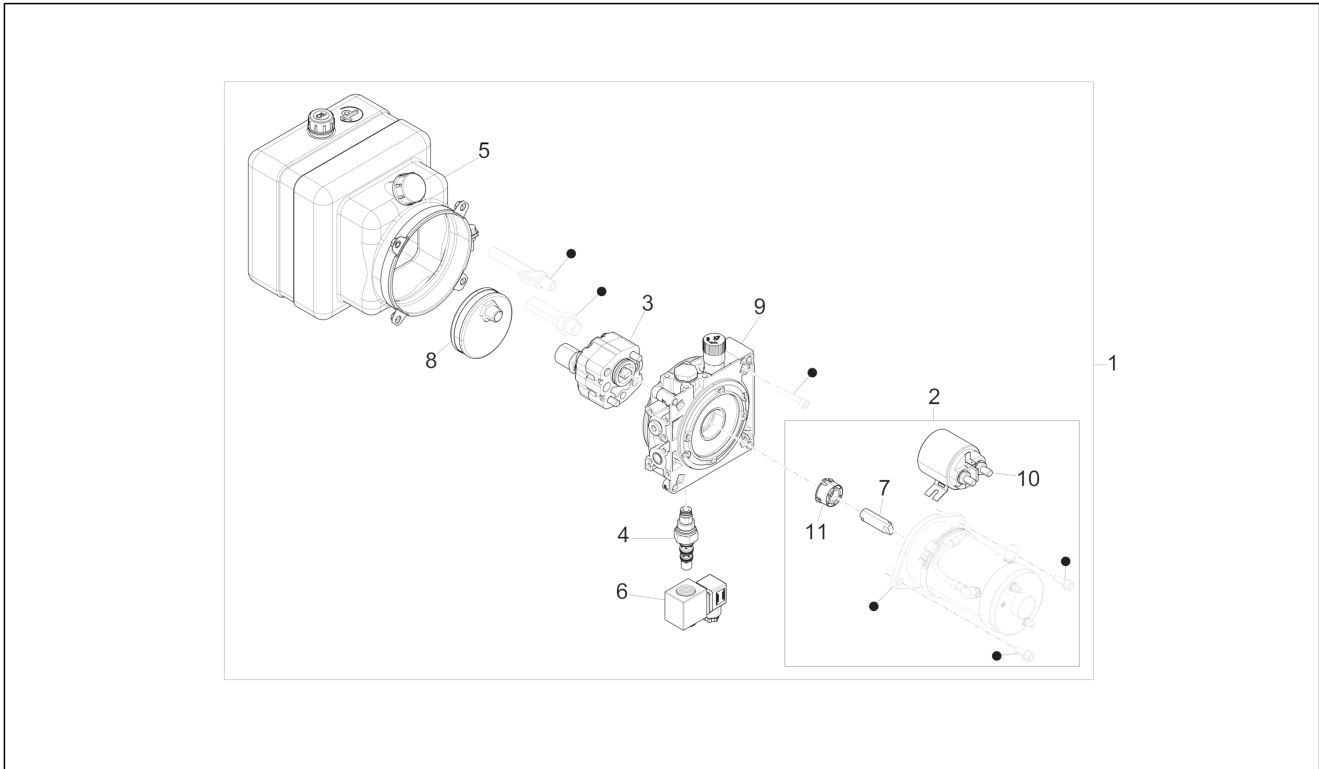
Pos.	Code	Beschreibung	Menge	Varianten
1	B000344	Rahmen	1	
2	AP8150088	TCEI Schraube M10x70	4	
3	B000625	Pumpensicherung	1	
4	015249	Mutter	1	
5	564878	Mutter	4	
6	B023563	Hydraulischer Wagenheber kompl. mit Ventil	1	
7	B005623	Halterung Winde	2	
8	848341	TE Schr. m. Flansch M12x1,25	4	
9	261318	Selbstsperrende Mutter M12x1,25	4	
10	B000294	Befestigungsbolzen	1	
11	B000717	Sprengring	2	
12	B000318	Schlauch komplett mit anschlossen	1	
13	B000705	Lochschaube 3/8"	1	
14	B000707	Kupferscheibe 17x23x1,5	2	
15	B000720	Nippel M18	1	
16	B000707	Kupferscheibe 17x23x1,5	2	
17	B000706	Übersetzung	1	
18	B000714	Flachscheibe 19x23x1,5	1	
19	B000705	Lochschaube 3/8"	1	
20	178790	Flachscheibe	1	
21	031153	Schraubbolzen	1	
22	B000218	Schraube	1	
23	B000622	Negativkabel	1	
24	1D000945	Pluskabel Batterie	1	
25	178790	Flachscheibe	2	
26	015249	Mutter	1	
27	B000221	Sicherheitsstange	1	
28	56610R	Baugruppe komplette elektrische Hydraulikpumpe	1	

Einheit	Fahrgestell - Plastikformteil - Karosserien
Code	02.23
Beschreibung	Kippsystem
Inspektion	1



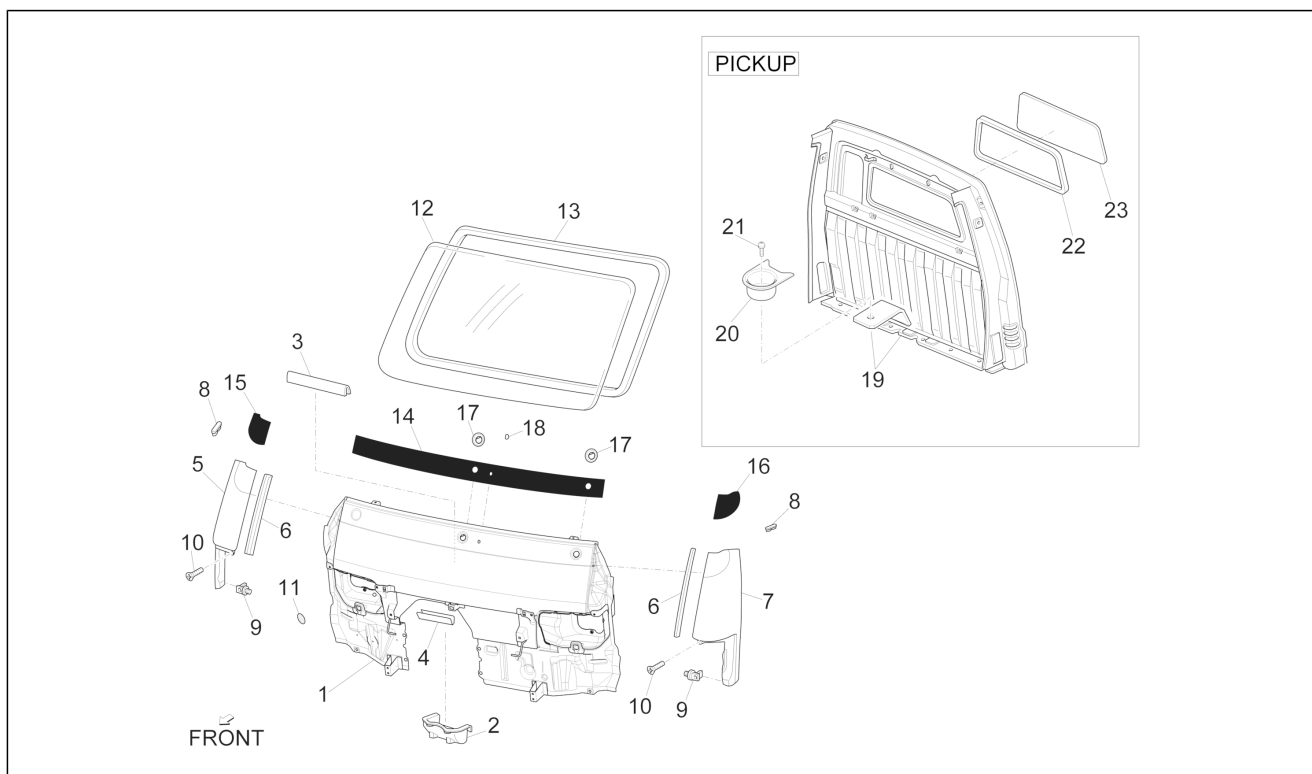
Pos.	Code	Beschreibung	Menge	Varianten
29	031153	Schraubbolzen	2	
30	B000436	Kegelscheibe 22x10,2x1,25	2	

Einheit	Fahrgestell - Plastikformteil - Karosserien
Code	02.24
Beschreibung	Kippumpe - Bestandteile
Inspektion	1



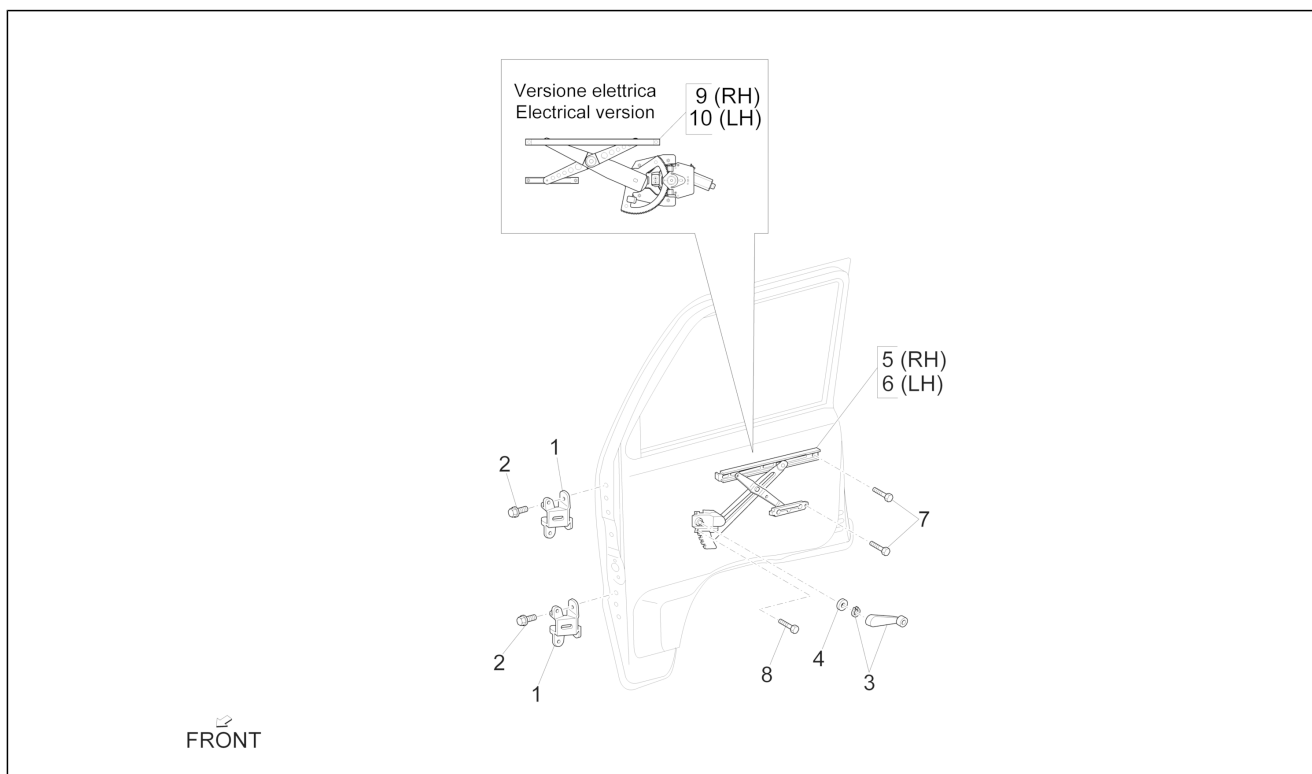
Pos.	Code	Beschreibung	Menge	Varianten
1	56610R	Baugruppe komplette elektrische Hydraulikpumpe	1	
2	B000409	Anlassermotor	1	
3	B000433	Pumpenset	1	
4	B000424	4-wege-elektroventil	1	
5	B000425	Öltank Lt 4	1	
6	B000426	Niederspannungsspule	1	
7	B000427	Kreuzgelenk	1	
8	B000428	Geschirmter Filter	1	
9	B000434	Flansch komplett	1	
10	850657	Fernschalter 80a	1	
11	850658	Führungsbuchse d.14	1	

Einheit	Fahrgestell - Plastikformteil - Karosserien
Code	02.25
Beschreibung	Windschutzscheibe - Scheiben
Inspektion	1



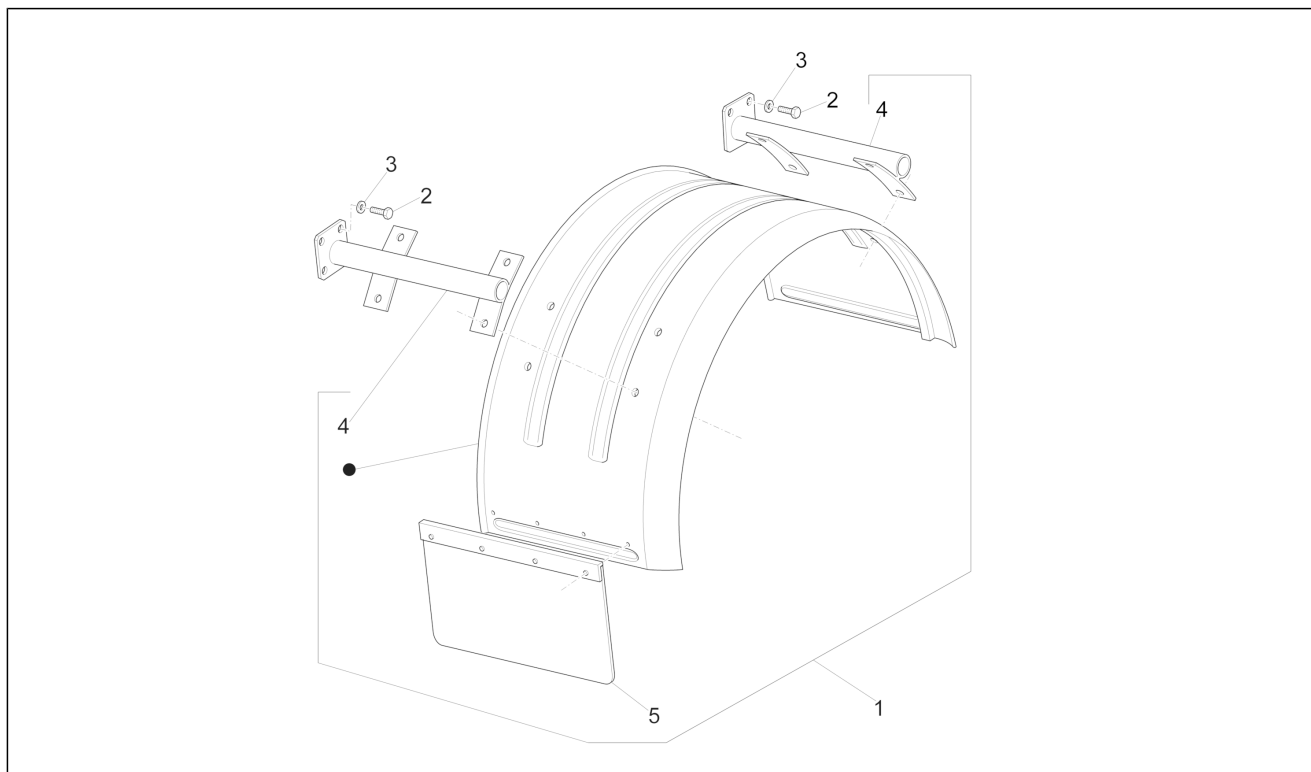
Pos.	Code	Beschreibung	Menge	Varianten
1	1E0010745	Frontpaneel mit Innenteilen	1	
2	D8723987Z02	Deckel	1	
3	D5574187Z01	Schutz	1	
4	565195	Schutz	1	
5	5660835	Vordere verkleidung	1	
6	5382387Z01130	Schutz seitliche vordere Verkleidung	2	
7	5660845	Vordere verkleidung	1	
8	D5382187Z01	Staubschutz	2	
9	D9004467076	Klammer	4	
10	9004159230000	Schraubbolzen	6	
11	D9004874004	Deckel	1	
12	B007324	Windschutzscheibe	1	
13	5612187Z01000	Dichtung windschutzscheibe	1	
14	B000883	Mittlerer Film unter Windschutzscheibe LHD	1	
15	B000882	Film rechts	1	
16	B000881	Film links	1	
17	B000822	Bohrungsschutz	2	
18	B000823	Bohrungsschutz	1	
19	1E0016105	Hintere Trennwand	1	
20	B005327	Flaschenhalter	1	
21	296170	Schraube M6x14	1	
22	6483187Z01000	Fensterdichtung hinten	1	
23	B007327	Heckscheibe grün	1	

Einheit	Fahrgestell - Plastikformteil - Karosserien
Code	02.26
Beschreibung	Fensterheber vorne und hinten
Inspektion	1



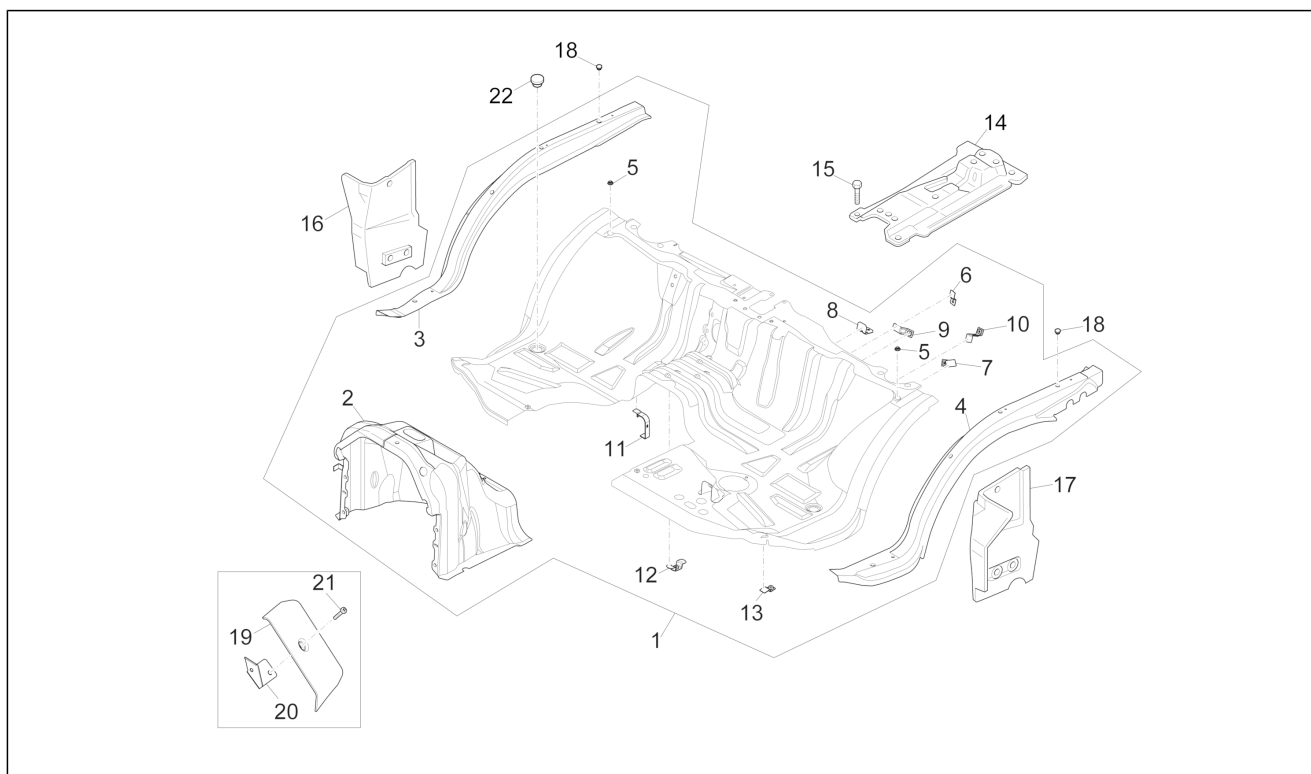
Pos.	Code	Beschreibung	Menge	Varianten
1	6871087Z01000	Türscharnier vorne	4	
2	9004119620000	Schraubbolzen	16	
3	613767	Fensterheber	2	
4	6928587Z01000	Scheibe fensterheber	2	
5	56582R	Scheibenheber rechts	1	
6	56581R	Scheibenheber links	1	
7	9162140610000	Schraubbolzen	4	
8	D9165140612	Sechskantschraube	10	
9	661047	Scheibenheber rechts	1	
10	661048	Scheibenheber links	1	

Einheit	Fahrgestell - Plastformteil - Karosserien
Code	02.28
Beschreibung	Radgehäuse - Radkotflügel
Inspektion	1



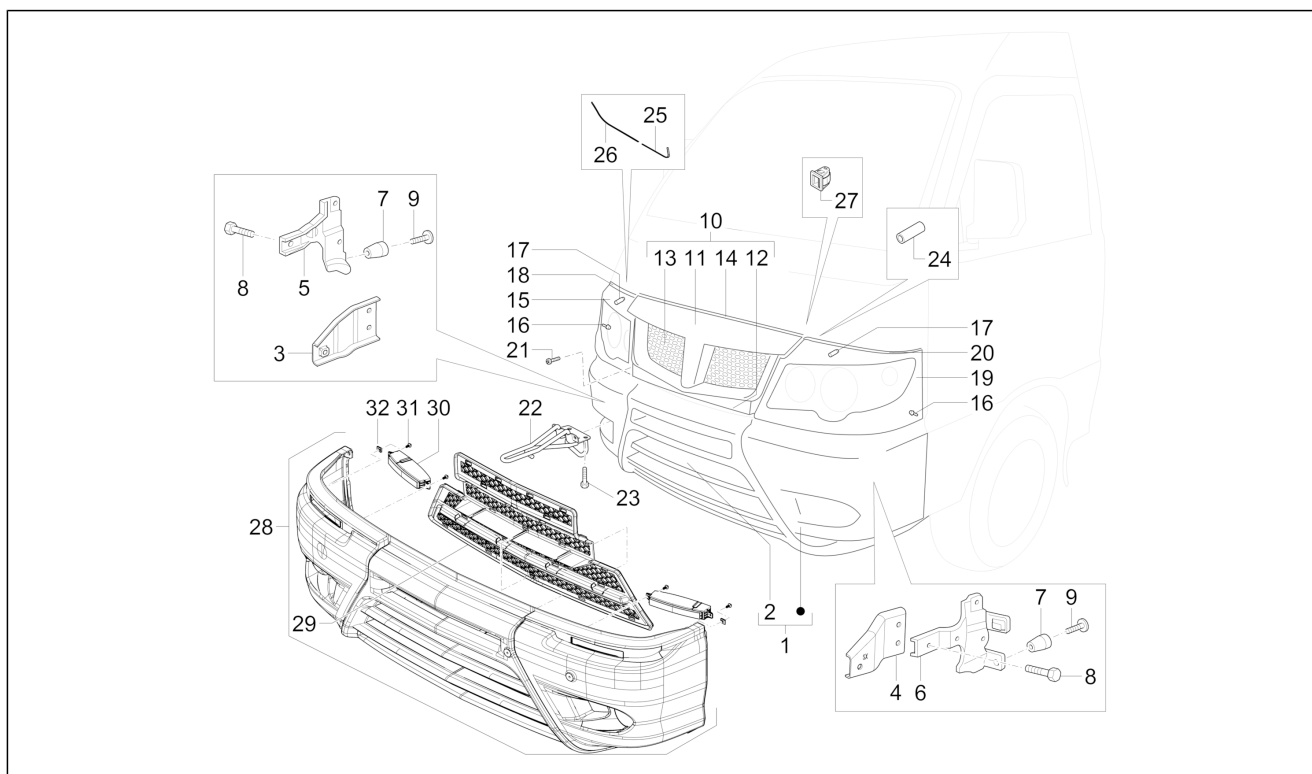
Pos.	Code	Beschreibung	Menge	Varianten
1	B007687	Kotflügel hinten rechts	1	
1	B007695	Kotflügel hinten links	1	
2	031120	Schraube	12	
3	834187	Sprengscheibe 16x8,2x2,2	12	
4	B007689	Halt. hint. Kotflügel kpl.	4	
5	B025178	Spritzschutz links für hint. Kotflügel	1	
5	B025179	Spritzschutz rechts für hint. Kotflügel	1	

Einheit	Fahrgestell - Plastikformteil - Karosserien
Code	02.29
Beschreibung	Vorderes Bodenpaneel
Inspektion	1



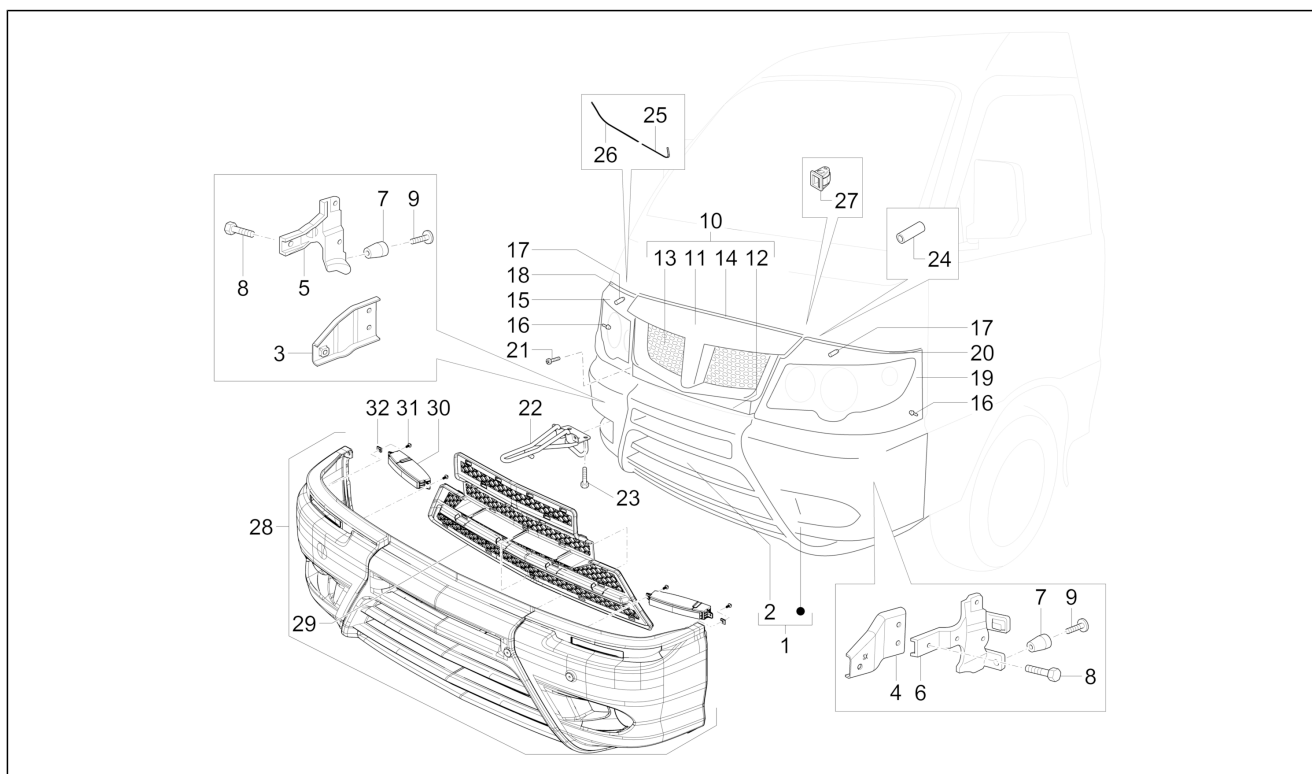
Pos.	Code	Beschreibung	Menge	Varianten
1	1E0012295	Vorderer Boden Fahrerhaus mit Innenteilen	1	
1	1E0016625	Vorderer Boden Fahrerhaus mit Innenteilen	1	
2	B0071125	Kühlerraum	1	
3	5823187Z02000	Paneel seitlicher Boden rechts	1	
4	D5823287Z015	Paneel seitlicher Boden links	1	
5	5852387Z01000	Haken	2	
6	D4445787Z01	Leitungshalterung	1	
7	D5375387Z01	Sprengring	1	
8	D5837987Z01	Halterung Kühlerleitung	1	
9	D5512787Z01	Tankfixierung	1	
10	D5375287Z01	Tankfixierung	1	
11	D9004463232	Schelle	1	
12	5375187Z01000	Winkel	1	
13	4738287Z01000	Halter	1	
14	5510387Z03000	Einstellplatte sitz	1	
15	D9166140612	Schraubbolzen	1	
16	5824187Z02000	Bodenblech rechte seite	1	
17	5824287Z02000	Bodenblech linke seite	1	
18	9004874011000	Deckel	1	
19	B004252	Fussrasten linke	1	
20	B004254	Bügel	1	
21	259830	Metrische Schraube M6x20	1	
22	D9004871098	Verschlusschraube	2	

Einheit	Fahrgestell - Plastformteil - Karosserien
Code	02.30
Beschreibung	Verkleidungen vorne
Inspektion	1



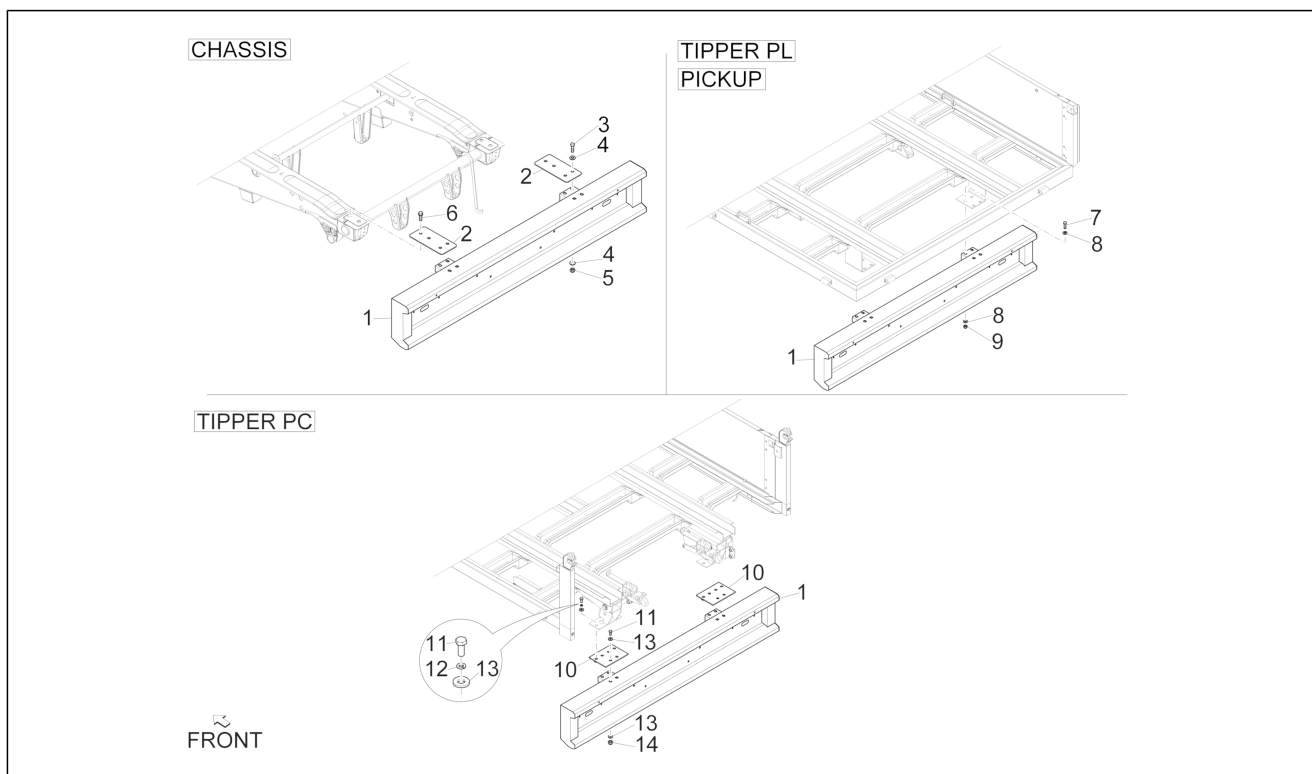
Pos.	Code	Beschreibung	Menge	Varianten
1	1E001096	Stürzbügel vorn	1	
2	B004249	Stoßfängergitter vorne	1	
3	B000833	Rechtes bügel	1	
4	B000835	Linkes bügel	1	
5	5213387Z01000	Befestigung vordere rechte stoßstang	1	
6	5213487Z01000	Befestigung vorderer linker kotflügel	1	
7	D9004468200	Klammer	2	
8	D9165140614	Sechskantschraube	4	
9	D9004159364	TE Schr. m. Flansch	2	
10	B000965	Blende	1	
11	B000839	Blende oben	1	
12	B000966	Blende unten	1	
13	B004250	Gitter	1	
14	B000945	Schutz	1	
15	B000831	R. Kranzgesims	1	
16	B000944	Kleine Feder	2	
17	566300	Klammer	2	
18	B000836	Rechter schutz	2	
19	B000832	L. Kranzgesims	1	
20	B000949	Linker schutz	2	
21	9356855012000	Schraube	4	
22	658987	Anhängerkupplung	1	
23	D9165140820	Sechskantschraube	3	
24	B000985	Röhrchen	2	
25	B007162	L. Kranzgesims	1	
26	B007163	R. Kranzgesims	1	
27	566737	Verankerungseinheit	5	
28	1E001096	Stürzbügel vorn	1	

Einheit	Fahrgestell - Plastikformteil - Karosserien
Code	02.30
Beschreibung	Verkleidungen vorne
Inspektion	1



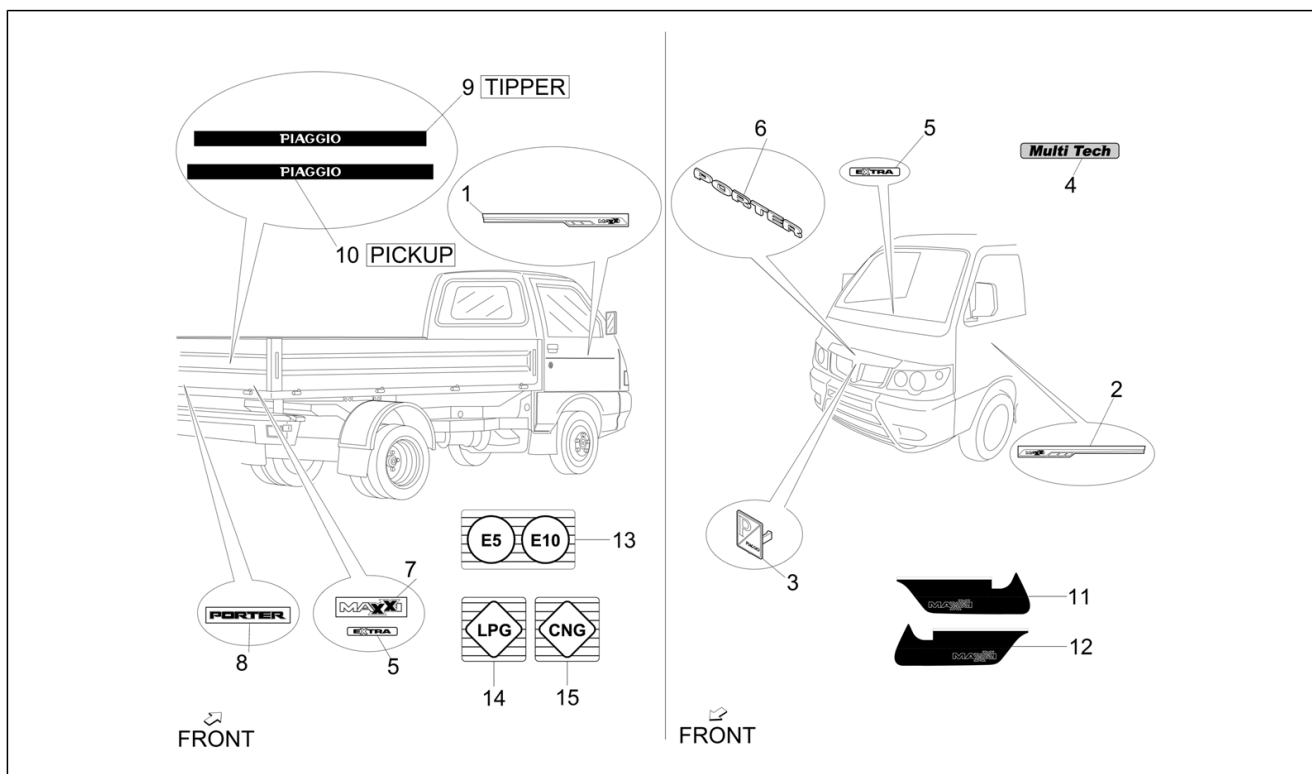
Pos.	Code	Beschreibung	Menge	Varianten
29	B004249	Stoßfängergitter vorne	1	
30	1E001098	Halter	2	
31	D9356755014	Sechskantschraube	4	
32	CM017414	Federplättchen	2	

Einheit	Fahrgestell - Plastikformteil - Karosserien
Code	02.31
Beschreibung	Hinterabdeckung
Inspektion	1



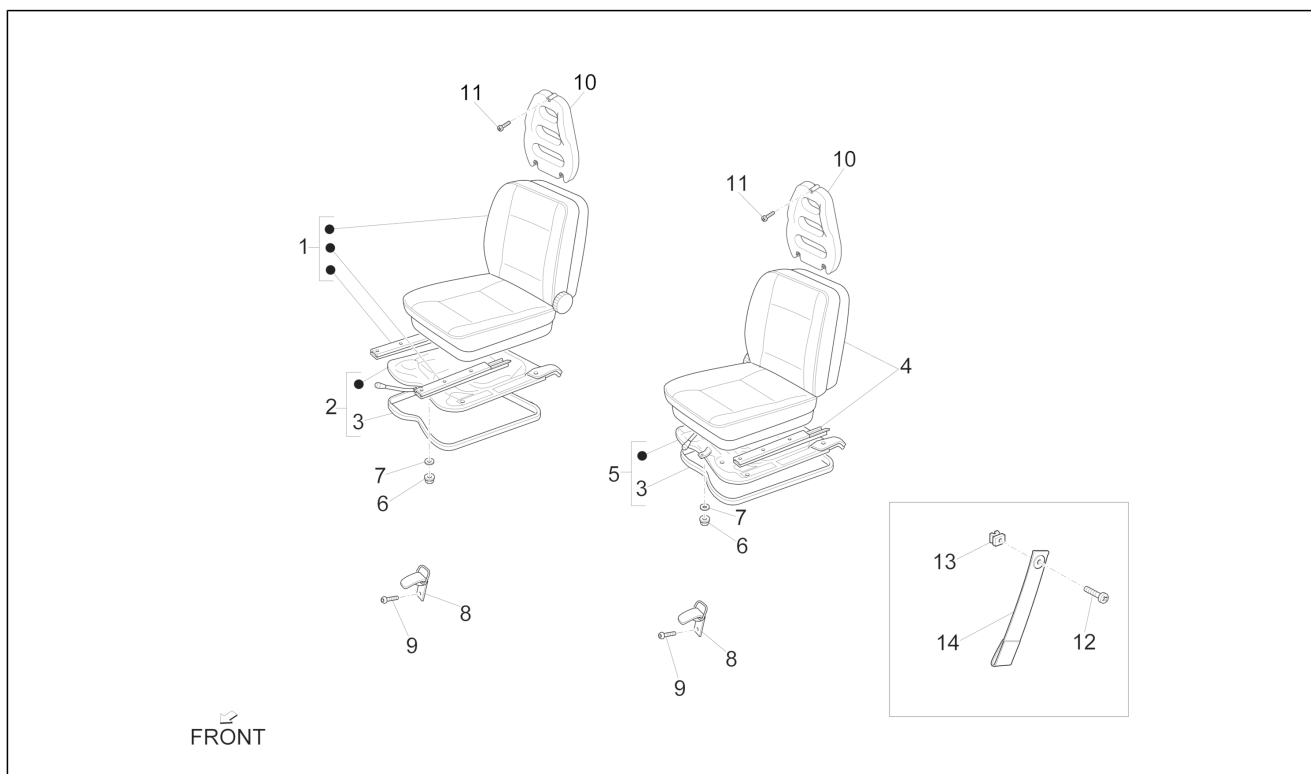
Pos.	Code	Beschreibung	Menge	Varianten
1	B004605	Heckstoßstange komplett mit Scheinwerfern	1	
2	B000381	Fixierplatte	2	
3	031157	Sechskantschraube M10x30	4	
4	078783	Unterlegscheibe	4	
5	002440	Mutter, selbstsichernd M10	4	
6	9165141025000	Schraubbolzen	4	
7	031157	Sechskantschraube M10x30	8	
8	078783	Unterlegscheibe	16	
9	002440	Mutter, selbstsichernd M10	8	
10	B005710	Fixierplatte	2	
11	031157	Sechskantschraube M10x30	12	
12	016410	Unterlegscheibe 17,6x11x2,5	6	
13	078783	Unterlegscheibe	18	
14	002440	Mutter, selbstsichernd M10	6	

Einheit	Fahrgestell - Plastikformteil - Karosserien
Code	02.32
Beschreibung	Plaketten - Verzierungen
Inspektion	1



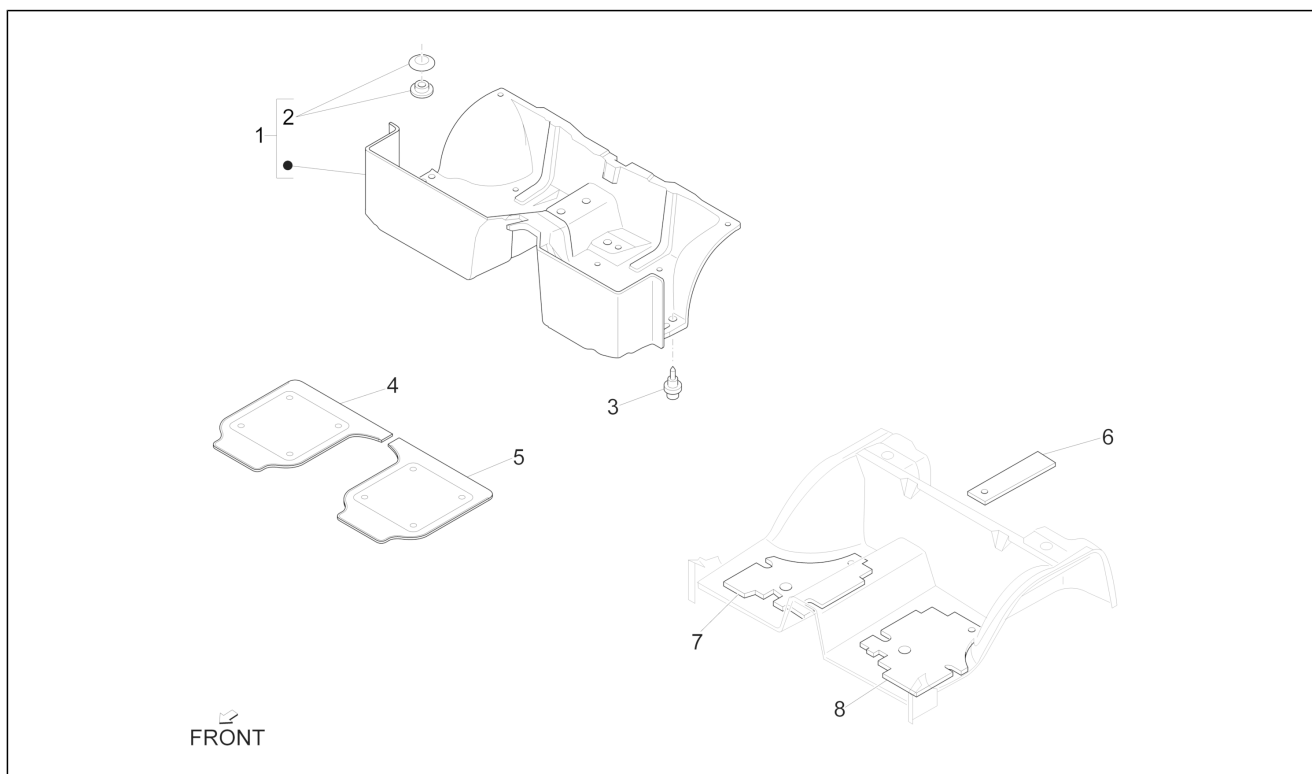
Pos.	Code	Beschreibung	Menge	Varianten
1	B004614	Rechtes Schild MAXXI	1	
2	B004615	L.Schild MAXXI	1	
3	576464	Piaggio-Emblem	1	
4	B007234	"Schild ""Multitech"""	1	
5	B004620	"Internes Schild ""EXTRA"""	1	
6	B004554	"Schild ""Porter"""	1	
7	B004568	Heckschild MAXXI	1	
8	B004567	"Heckschild ""Porter"""	1	
9	B005338	"Heckschild ""Piaggio"""	1	
10	B005337	"Heckschild ""Piaggio"""	1	
11	1E001511	Plakette "Maxxi" rechte Tür	1	
12	1E001512	Plakette "Maxxi" linke Tür	1	
13	1E003412		1	
14	1E003413		1	
15	1E003414		1	

Einheit	Fahrgestell - Plastformteil - Karosserien
Code	02.33
Beschreibung	Vordersitze
Inspektion	1



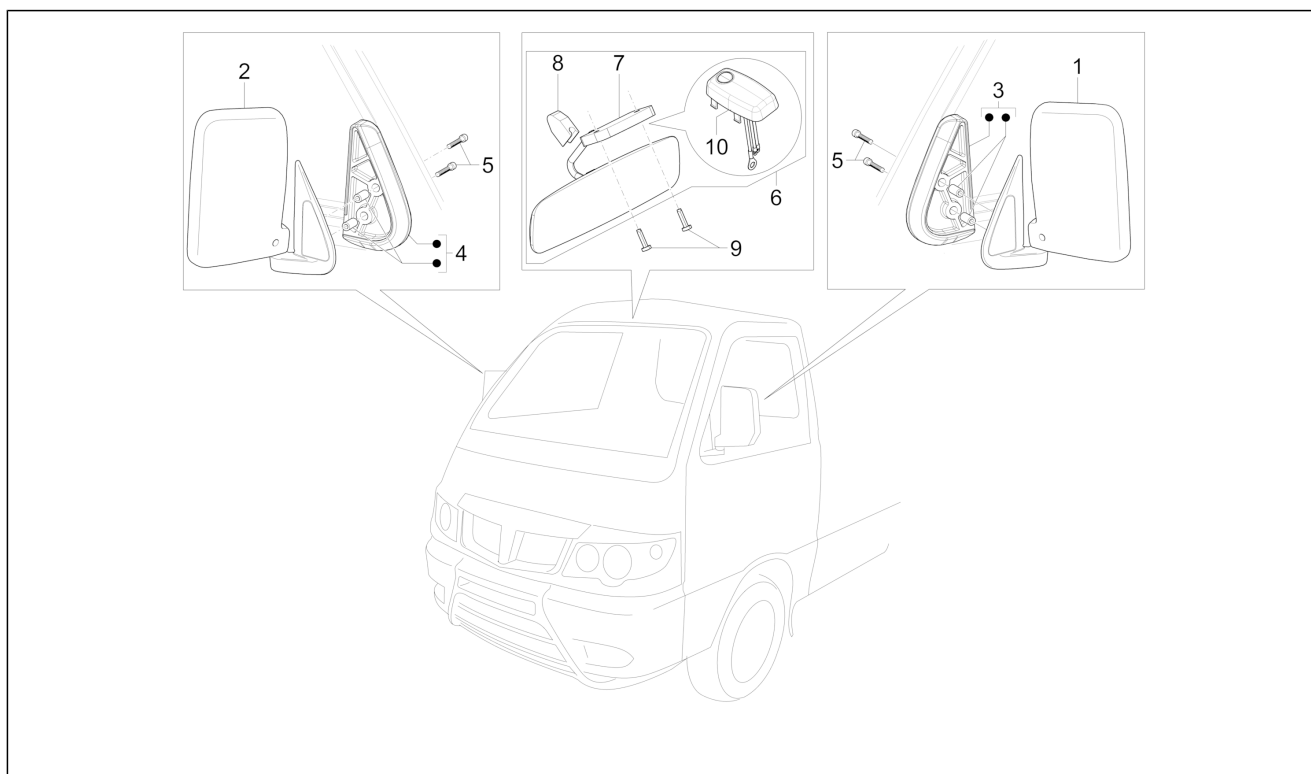
Pos.	Code	Beschreibung	Menge	Varianten
1	1E001540	Kompletter Sitz rechts	1	
2	CM038401	Sitzplatte rechts	1	
3	615932	Dichtung	1	
4	1E001541	Kompletter Sitz links	1	
5	CM038402	Sitzplatte links	1	
6	658842	selbstsp. Mutter M8	2	
7	016408	Sprengscheibe 13,75x8,15x4,5	2	
8	7137087Z01000	Kupplung	2	
9	9165140816000	Schraube	2	
10	566864	Sitzkopfsutze	2	
11	D9327056012	Sechskantschraube	6	
12	D9356016014	Sechskantschraube	1	
13	D9004189019	Kabelführung	1	
14	7197387Z01030	Riemen	1	

Einheit	Fahrgestell - Plastikformteil - Karosserien
Code	02.35
Beschreibung	Innenverkleidungen
Inspektion	1



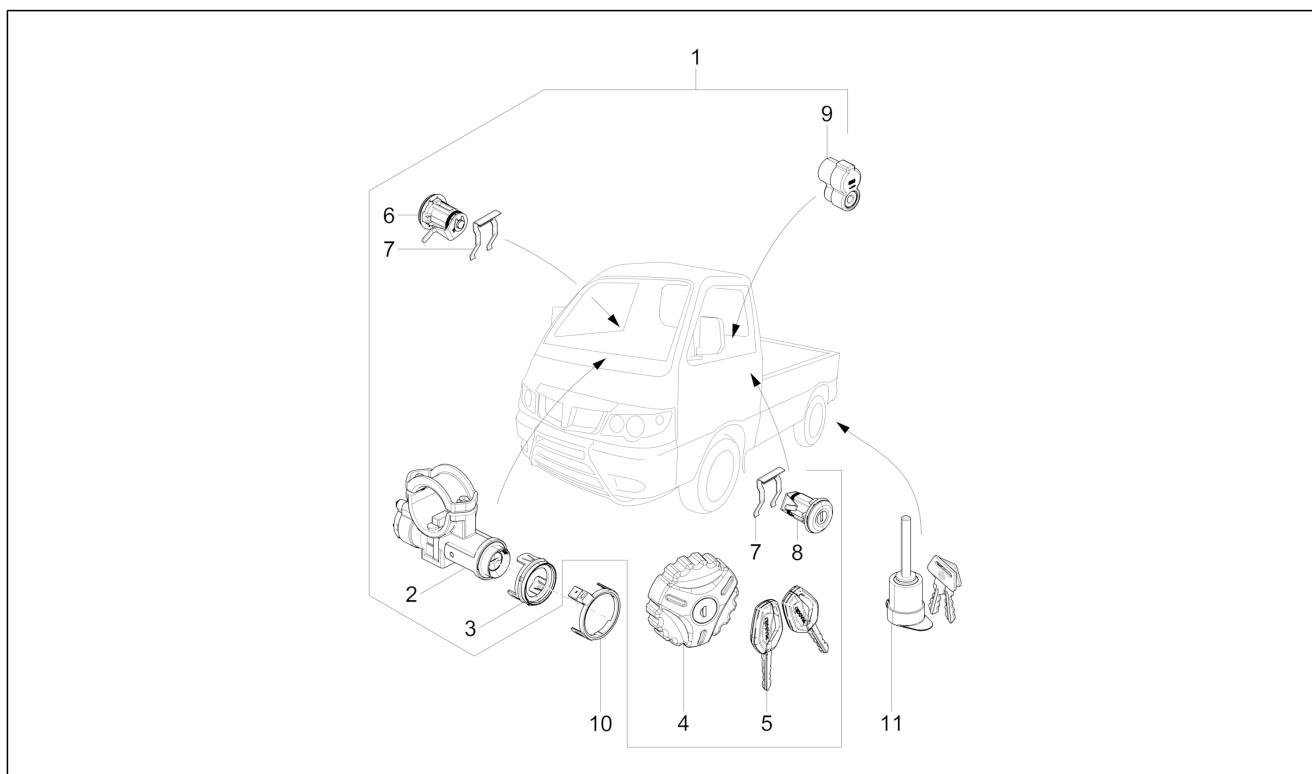
Pos.	Code	Beschreibung	Menge	Varianten
1	B007906	Teppich vorne komplett	1	
2	5855887Z01030	Befestigung	4	
3	9004530013000	Hakenbefestigung	7	
4	263962	Fußmatte rechts	1	
5	263961	Fußmatte links	1	
6	5866987Z01000	Schalldämpfer	1	
7	5862187Z02000	Schalldämpfend rechts	1	
8	D5862287Z01	Schalldämpfend links	1	

Einheit	Fahrgestell - Plastformteil - Karosserien
Code	02.36
Beschreibung	Rückspiegel/n
Inspektion	1



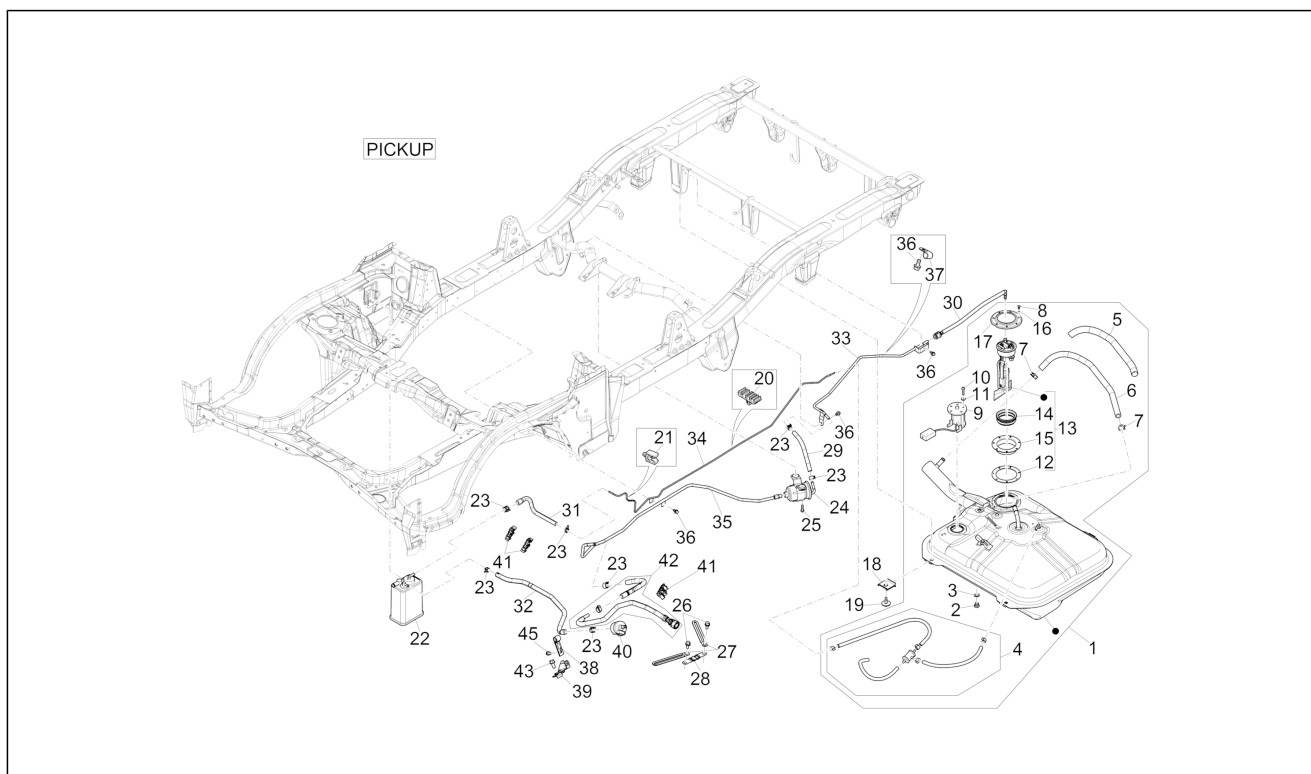
Pos.	Code	Beschreibung	Menge	Varianten
1	B000961	Rückspiegel links	1	
2	B000962	Rückspiegel rechts	1	
3	B000066	L. Distanzscheibe	1	
4	B000149	R. Distanzscheibe	1	
5	B005310	TBEI Schraube M5x45	4	
6	B007907	Innenspiegel	1	
7	B007705	Spiegelgehäuse mit Glas	1	
8	B007913	Scheibe	1	
9	877136	Blechschaube M5x20	2	
10	B007908	Innenbeleuchtung	1	

Einheit	Fahrgestell - Plastikformteil - Karosserien
Code	02.37
Beschreibung	Schloßen
Inspektion	1



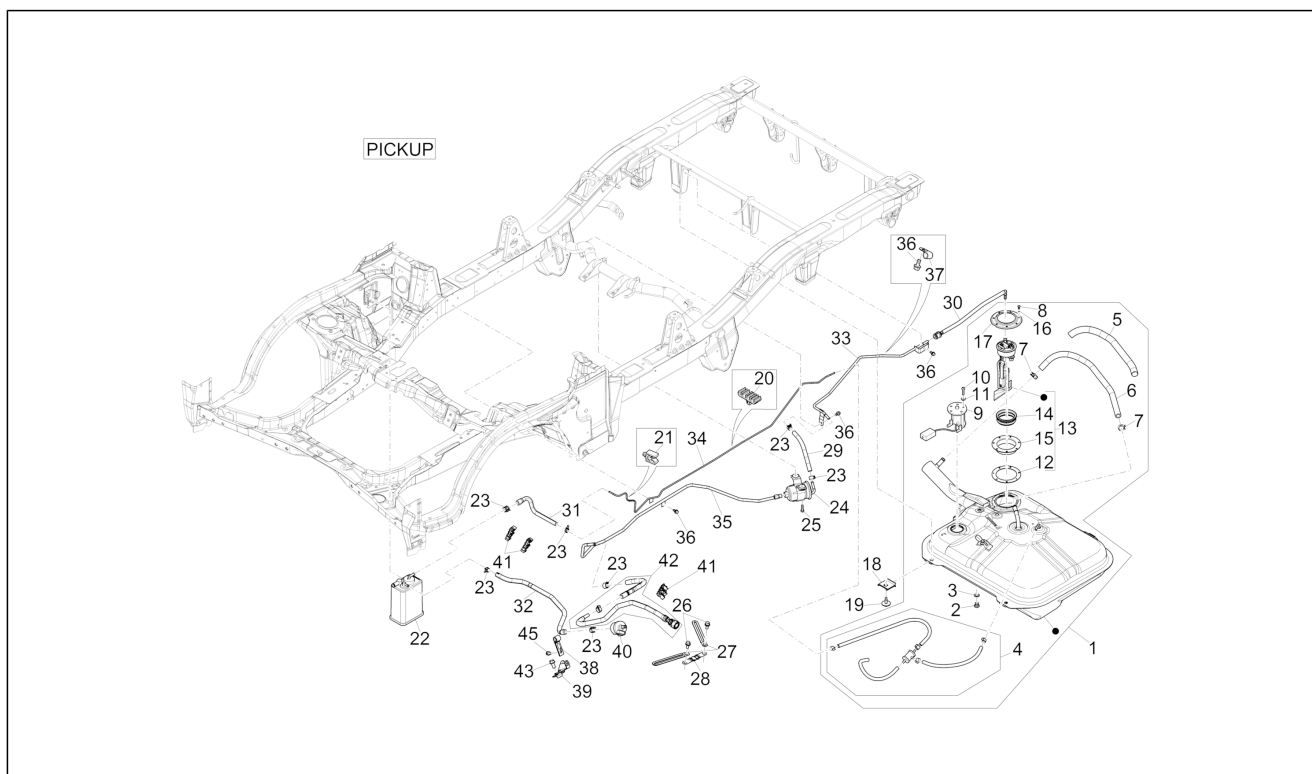
Pos.	Code	Beschreibung	Menge	Varianten
1	1E001520	Kit Schlösser und Schlüssel	1	
2	1E001631	Lenkerschloss mit Zündschalter	1	
3	1E001523	Antennenhalterung	1	
4	658999	Tankfüllschraube	1	
5	1E001531	Rohling Transponderschlüssel	1	
6	613842	Schloss rechte Tür	1	
7	615094	Schelle	2	
8	613843	Schloss linke Tür	1	
9	B025954	Schloss Diebstahlsicherung Batterie	1	
10	1D001191	Immobilizer antenne	1	
11	613839	Kit Diebstahlschutz für Reserverad	1	

Einheit	Fahrgestell - Plastformteil - Karosserien
Code	02.39
Beschreibung	Benzintank II
Inspektion	1



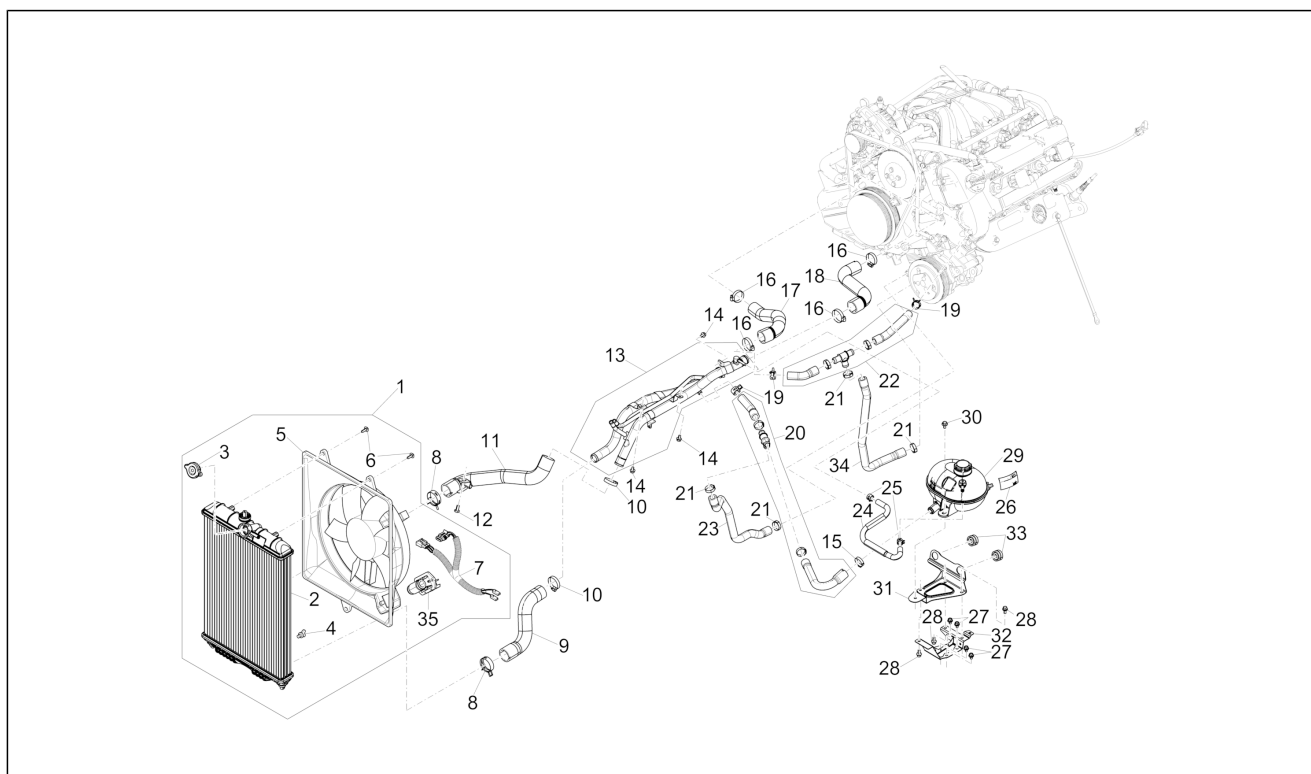
Pos.	Code	Beschreibung	Menge	Varianten
1	B023121	Benzintank komplett	1	
1	1E0032295	Benzintank komplett	1	Modellversion: Für Modelle HS (High Slope)[HS] Modell: For Euro 6 C type-approved models[E6-C]
2	9004341011000	Deckel L=20 - M12,5x1,25	1	
3	D9004430120	Dichtung	1	
4	B004999	Sicherheitsventil	1	
5	9004446371000	Schutzrohr	1	
6	B004998	Benzinleitung	1	
7	9004467305000	Schelle	2	
8	031056	Schraube M5x12	7	
9	B023088	Kraftstoffstandgeber	1	
10	031027	Schraube	5	
11	016404	Flachscheibe 4,2x7,6x0,9	5	
12	B005023	Rückhalt Kraftstoffpumpe	1	
12	B005279	Dichtung	1	
12	656003	Dichtung	1	Modellversion: Für Modelle HS (High Slope)[HS] Modell: For Euro 6 C type-approved models[E6-C]
13	B023333	Kraftstoffpumpe	1	
14	576542	Dichtung	1	
15	B005278	Kraftst.pumpen-Verschl.	1	
16	016405	Federring 8,5x5,1x1,5	7	
17	B005277	Gegenflansch	1	
18	7714187Z01000	Stütze	4	
19	B005028	Flanschschraube	4	
20	D9004464157	Kabelschelle	1	
21	D9004464629	Sperrfeder Leitungen	1	
22	B005269		1	
22	1A004871		1	

Einheit	Fahrgestell - Plastformteil - Karosserien
Code	02.39
Beschreibung	Benzintank II
Inspektion	1



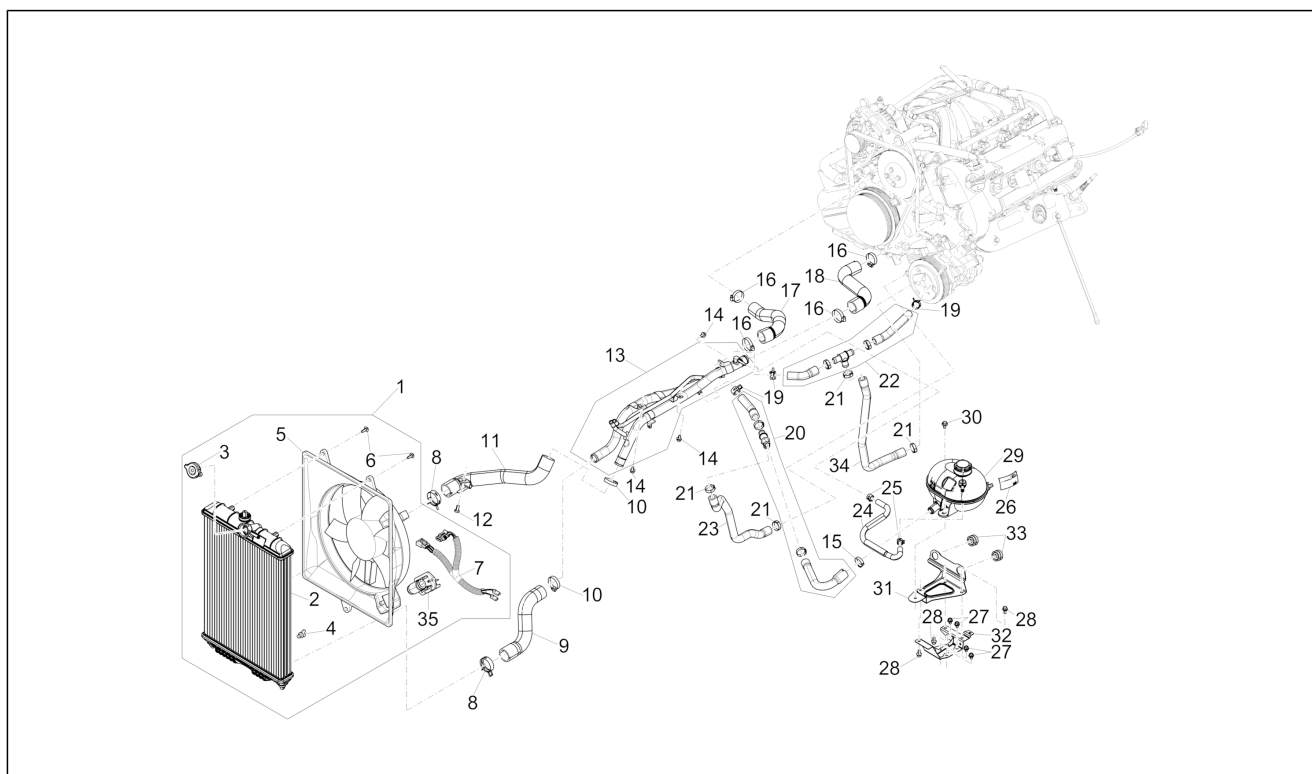
Pos.	Code	Beschreibung	Menge	Varianten
22	1E001884		1	
23	D9004467190	Bundring	9	
24	B005903	Kraftstofffilter	1	
25	D9004119655	Flanschschraube	2	
26	D9165140616	Sechskantschraube	2	
28	1E001149	Verankerungsbügel Benzinleitungen	1	
29	B005254	Benzinleitung	1	
30	B005285	Bremsschlauch	1	
31	B005286	Bremsschlauch	1	
31	1E001432	Dampfleitung Kraftstoff von Aktivkohlefilter	1	
31	1E001869	Dampfleitung Kraftstoff von Aktivkohlefilter	1	
32	B005286	Bremsschlauch	1	
32	1E001466		1	
32	1E001870		1	
33	B005561	Benzin-zuleitung N.1	1	
34	1E001420	Dampfleitung Kraftstoff mit Innenteilen	1	
35	1E001440	Zulaufleitung Kraftstoff mit Innenteilen Nr. 2	1	
36	D9165140616	Sechskantschraube	4	
37	D9004461193	Schelle	1	
38	9004462157000	Schelle	1	
39	1E001467	Befestigungsbügel Ventil mit Innenteilen	1	
40	1A005617		1	
41	CM017817	Sperrfeder Leitungen	3	
42	1E001147	Kraftstoffleitung kompl.	1	
43	564005	Schraube	1	
45	9161160612000	Schraubbolzen	1	

Einheit	Fahrgestell - Plastikformteil - Karosserien
Code	02.43
Beschreibung	Kühlungsanlage
Inspektion	1



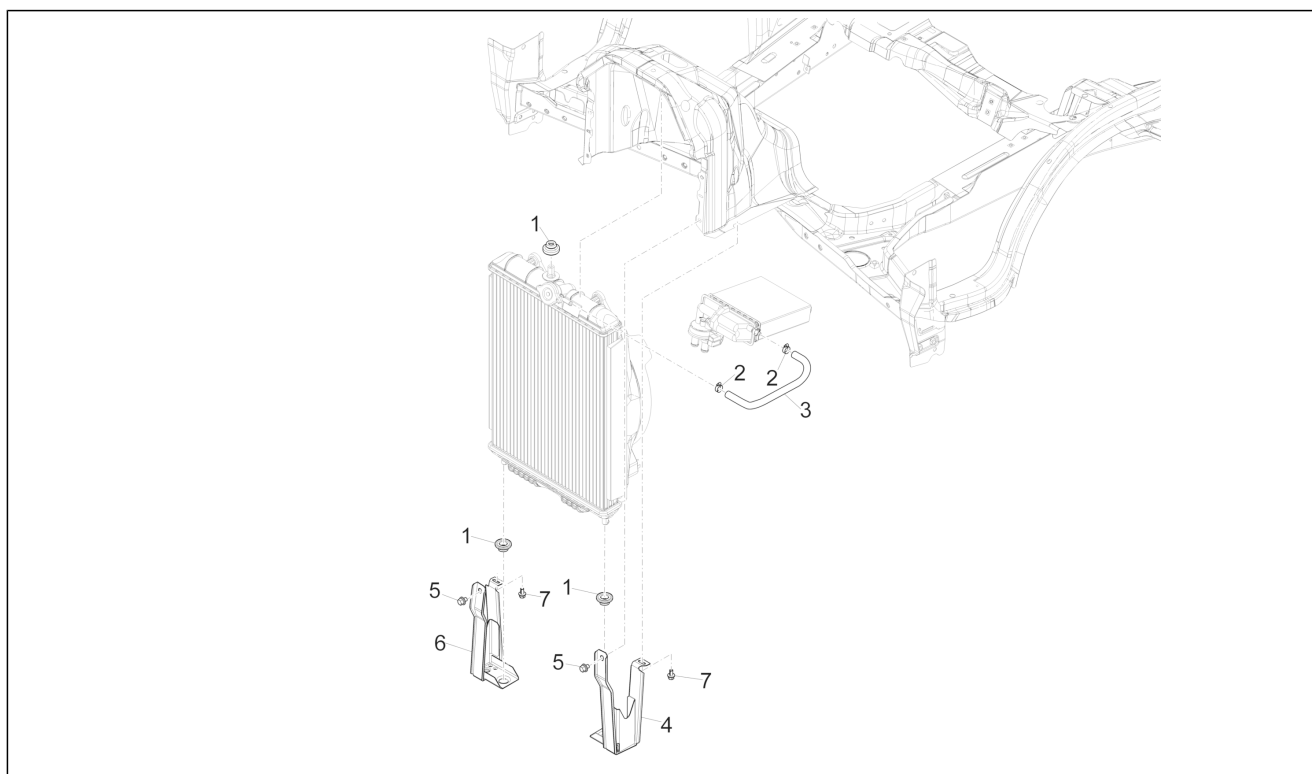
Pos.	Code	Beschreibung	Menge	Varianten
1	B026177	Kühler	1	
2	B026114	Kühler	1	
3	B005372	Kühlerschraube 110 KPa	1	
4	1618587Z02000	Verschluss	1	
5	1E000304	Elektrolüfter	1	
6	263695	Sechskantschraube	3	
7	B023215	Kabel Lüfter	1	
8	D9004467449	Schelle	2	
9	1E000607	Rücklaufleitung Kühler Nr. 1	1	
10	709677	Schelle	2	
11	1E000608	Zulaufleitung Kühler Nr. 3	1	
12	D9165140616	Sechskantschraube	1	
13	1E001544	Leitung Kühler komplett Nr. 2	1	
14	D9165140612	Sechskantschraube	3	
15	CM001915	Schlauschelle	1	
16	709677	Schelle	1	
17	1E000609	Leitung Kühler Nr. 3	1	
18	1E000612	Zulaufleitung Kühler Nr. 1	1	
19	9004467361000	Schelle	3	
20	1E001449	Rücklaufleitung Behälter komplett mit Anschluss	1	
21	CM001909	Schlauschelle	4	
22	1E001448	Zulaufleitung Heizung einschl. Anschluss	1	
23	1E001455	Rücklaufleitung Öl-Wärmetauscher	1	
24	B023349	Entgaserrohr	1	
25	B005051	Schlauschelle	2	
26	B023311	Schild MIN - MAX	1	
27	D9165140612	Sechskantschraube	4	
28	D9004174001	Mutter	1	

Einheit	Fahrgestell - Plastikformteil - Karosserien
Code	02.43
Beschreibung	Kühlungsanlage
Inspektion	1



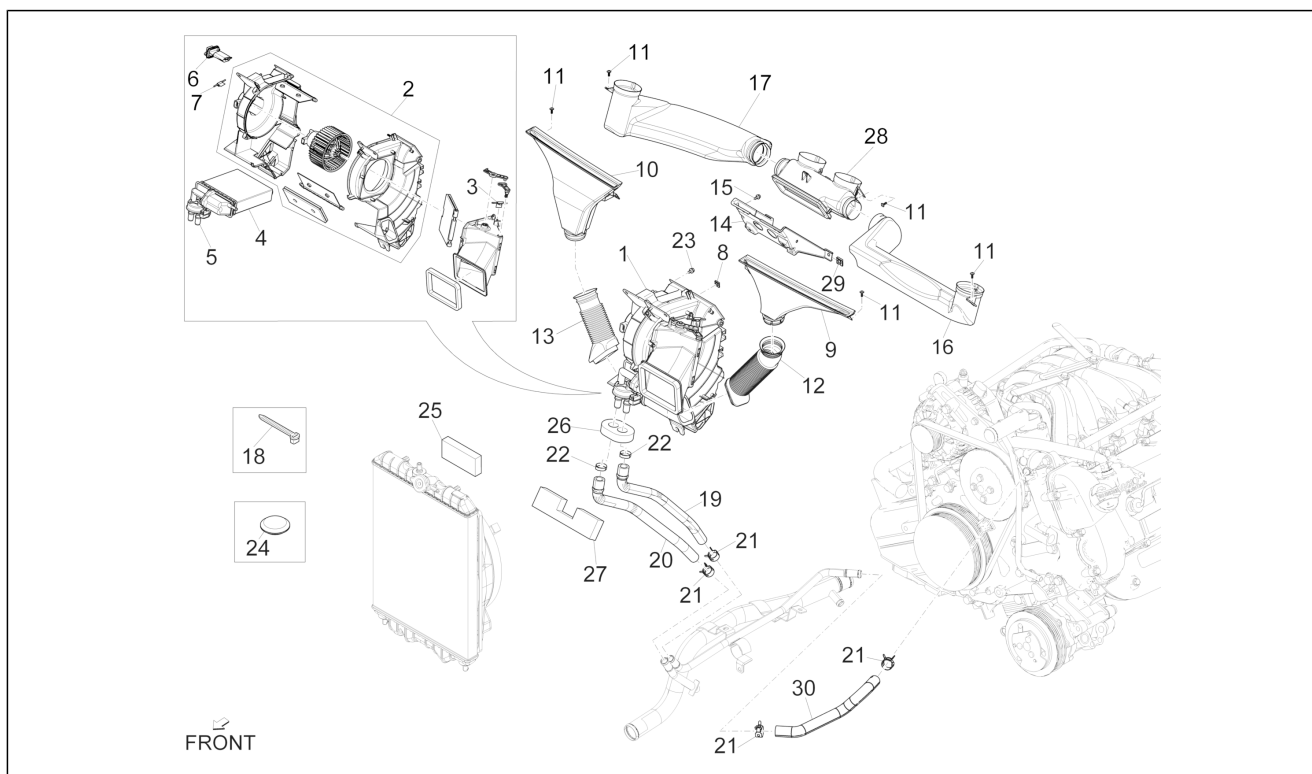
Pos.	Code	Beschreibung	Menge	Varianten
28	D9165140616	Sechskantschraube	3	
29	B023330	Tank	1	
30	D9166140616	Sechskantschraube	4	
31	B023321	Haltebügel	1	
32	B023357	Unterer Bügel	1	
33	D9004480596	Gummi	2	
34	1E001454	Zulaufleitung Öl-Wärmetauscher	1	
35	B023214	Widerstandsmodul 10-polig, start stop	1	

Einheit	Fahrgestell - Plastikformteil - Karosserien
Code	02.44
Beschreibung	Bauteile Kühlanlage
Inspektion	1



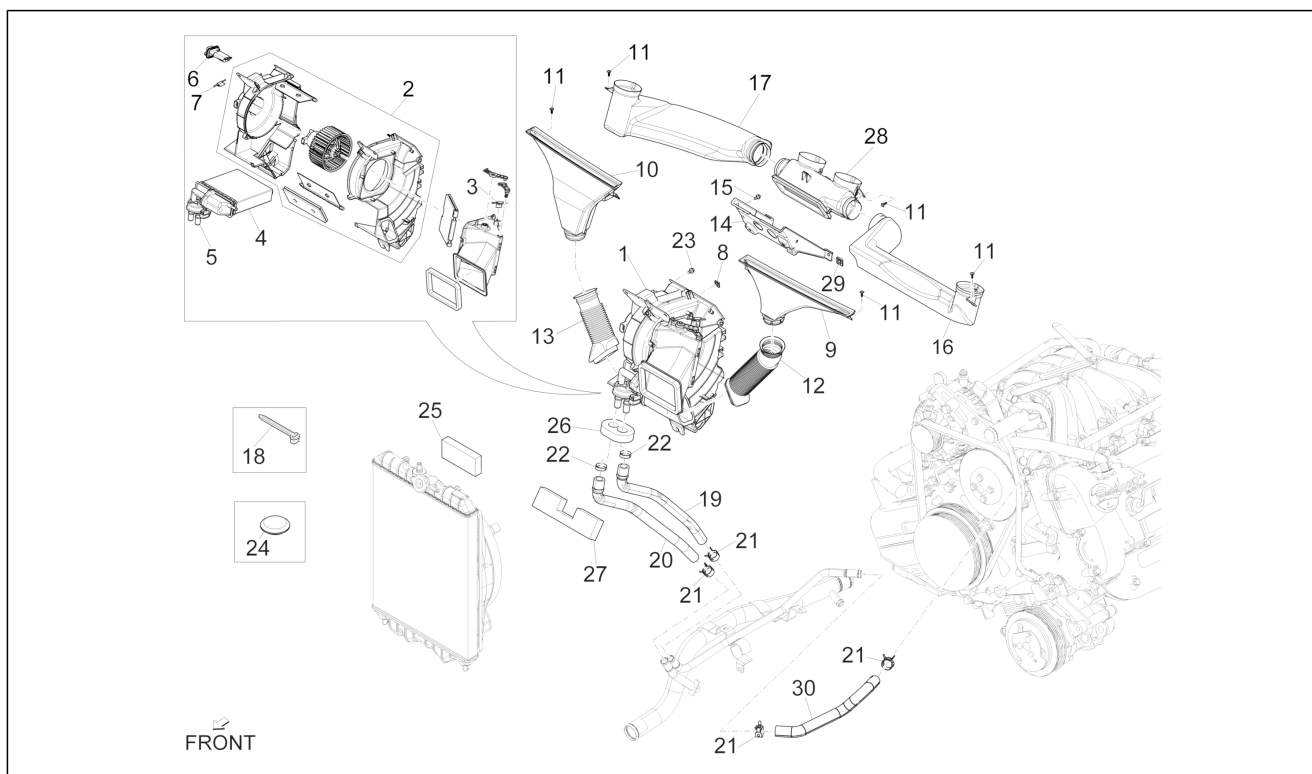
Pos.	Code	Beschreibung	Menge	Varianten
1	D9004480595	Puffer	3	
2	258469	Schelle	2	
3	1633787Z07000	Leitung	1	
4	1E000091	Haltebügel Kühler SX	1	
5	9165140814000	Schraube	2	
6	1E000090	Haltebügel Kühler DX	1	
7	D9165140614	Sechskantschraube	2	

Einheit	Fahrgestell - Plastikformteil - Karosserien
Code	02.45
Beschreibung	Heizungsanlage
Inspektion	1



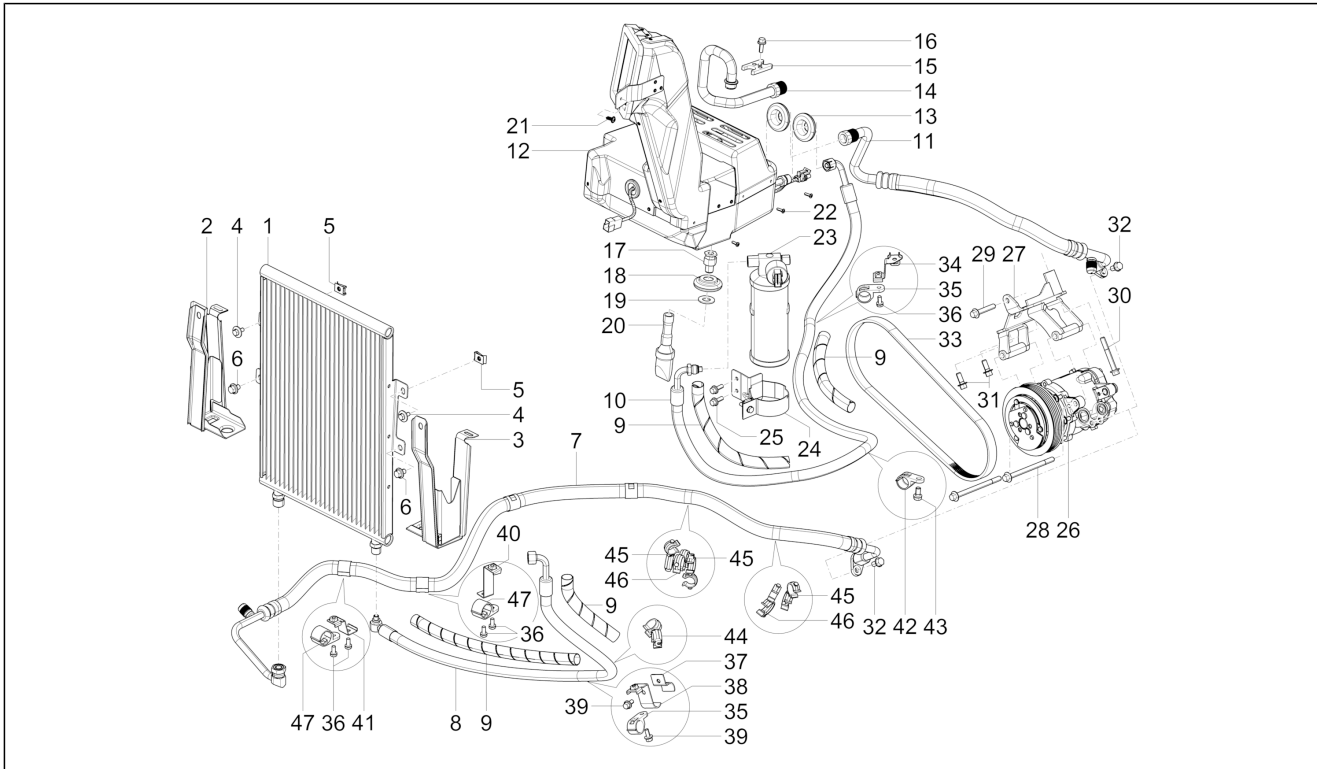
Pos.	Code	Beschreibung	Menge	Varianten
1	1E000998	Heizapparat	1	
2	493929	Ventilator	1	
3	493933	Schelle	1	
4	493930	-	1	
5	1E001000	Hahn	1	
6	B023106	Widerstand	1	
7	493932	Schelle	1	
8	D9004179138	Befestigungsplatte	4	
9	5509287Z02000	Luftdüse SX	1	
10	5509187Z02000	Luftdüse DX	1	
11	D9356755014	Sechskantschraube	5	
12	615100	Luftleitung links	1	
13	8723287Z02000	Luftleitung rechts	1	
14	612279	Halterung	1	
15	D9166140616	Sechskantschraube	4	
16	B000513	Luftleitung links	1	
17	614797	Luftleitung rechts	1	
18	145298	Reißschelle L= 180 mm	1	
19	1E001016	Eingangsleitung Heizvorrichtung	1	
20	1E001017	Ausgangsleitung Heizvorrichtung	1	
21	D9004467361	Klammer	4	
22	CM001907	Schlauchschelle	2	
23	9004119260000	Schraubbolzen	2	
24	B007158	Verschlusschraube	1	
25	264646	Obere kühlerrichtung	2	
26	B007132	Dichtung	1	
27	B007147	Dichtung	2	
28	614826	Luftdüse	1	

Einheit	Fahrgestell - Plastikformteil - Karosserien
Code	02.45
Beschreibung	Heizungsanlage
Inspektion	1



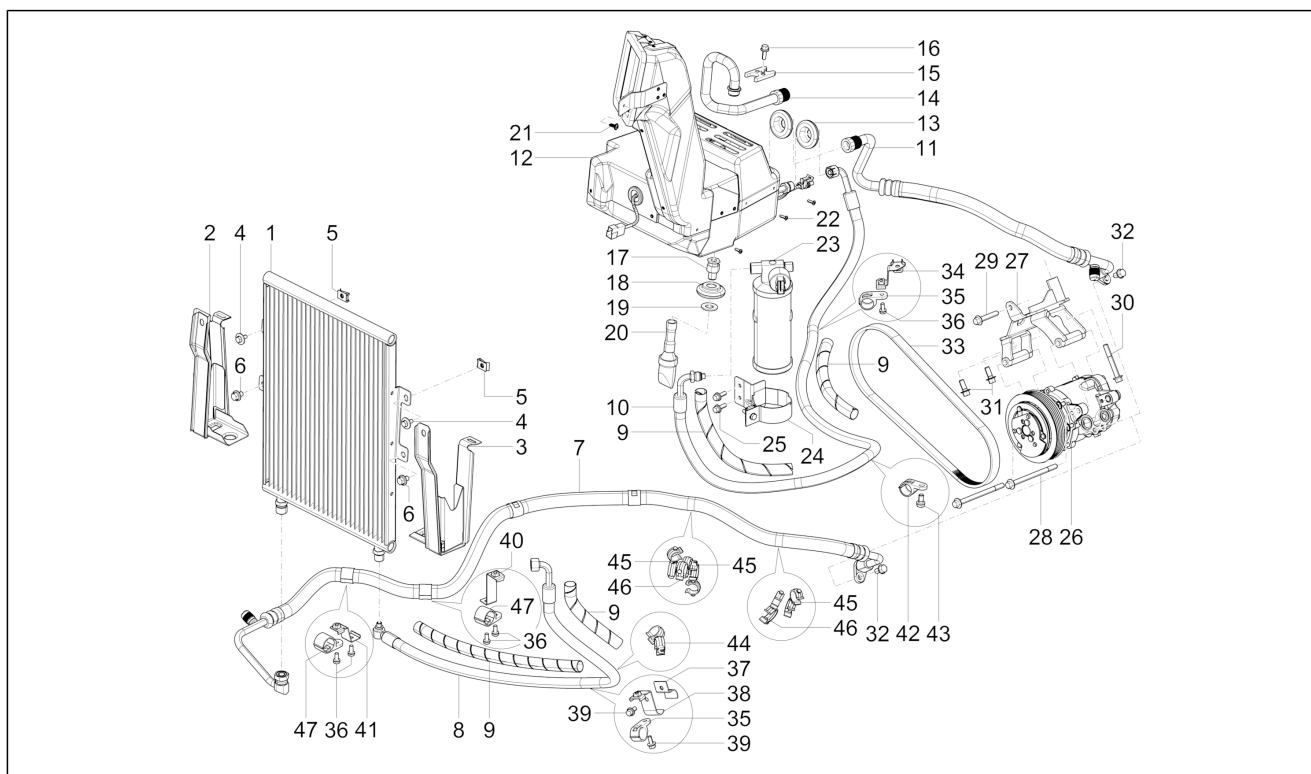
Pos.	Code	Beschreibung	Menge	Varianten
29	254485	Federplättchen M6	2	
30	1E000614	Vorlaufleitung Heizer	1	
31	1R000314	Dichtung Hahn	1	

Einheit	Fahrgestell - Plastformteil - Karosserien
Code	02.47
Beschreibung	Klimaanlage
Inspektion	1



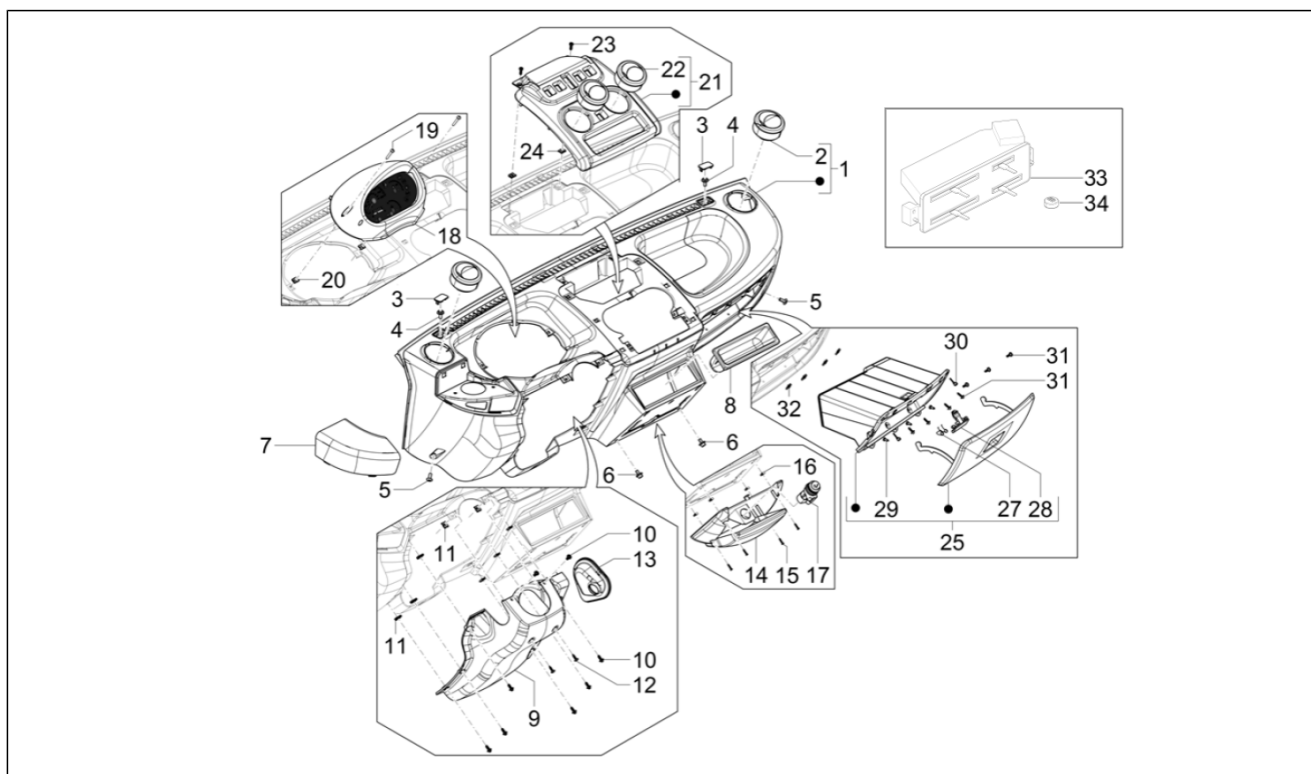
Pos.	Code	Beschreibung	Menge	Varianten
1	1E000176	Kondensator komplett mit Bügeln	1	
2	1E000090	Haltebügel Kühler DX	1	
3	1E000091	Haltebügel Kühler SX	1	
4	9004119260000	Schraubbolzen	2	
5	254485	Federplättchen M6	2	
6	9165140814000	Schraube	2	
7	1E001532	Leitung zu 13/32 Kondensator - Kompressor	1	
8	612197	Schlauch 5/16	1	
9	1E001542	Spirale Dynaflex	4	
10	612198	Leitung Filter-Verdampfer 5/16	1	
11	1E001533	Leitung zu 1/2 Kompressor - Verdampfer	1	
12	B004506	Verdampfergruppe Klimaanlage	1	
13	612500	Gummi	2	
14	B005643	Vorbildet Schlauch	1	
15	612499	Befestigungsflansch	1	
16	9165160620000	Schraubbolzen	1	
17	612501	Verflüssigerablass	1	
18	612500	Gummi	1	
19	612496	Flachscheibe 14x28	1	
20	612502	ZSB Verflüssigerablass	1	
21	9356715014000	Unterlegscheibe	2	
22	B005644	Blechschaube	3	
23	1E000995	Baugruppe Filter + Druckregler	1	
24	1E001131	Bügel Filter A/C	1	
25	9165160620000	Schraubbolzen	2	
26	1A003802	Verdichter Klimaanlage	1	
27	1A003083	Stütze Klimaanlage komplett	1	
28	1A004402	TE Schr. m. Flansch M8x110	2	

Einheit	Fahrgestell - Plastikformteil - Karosserien
Code	02.47
Beschreibung	Klimaanlage
Inspektion	1



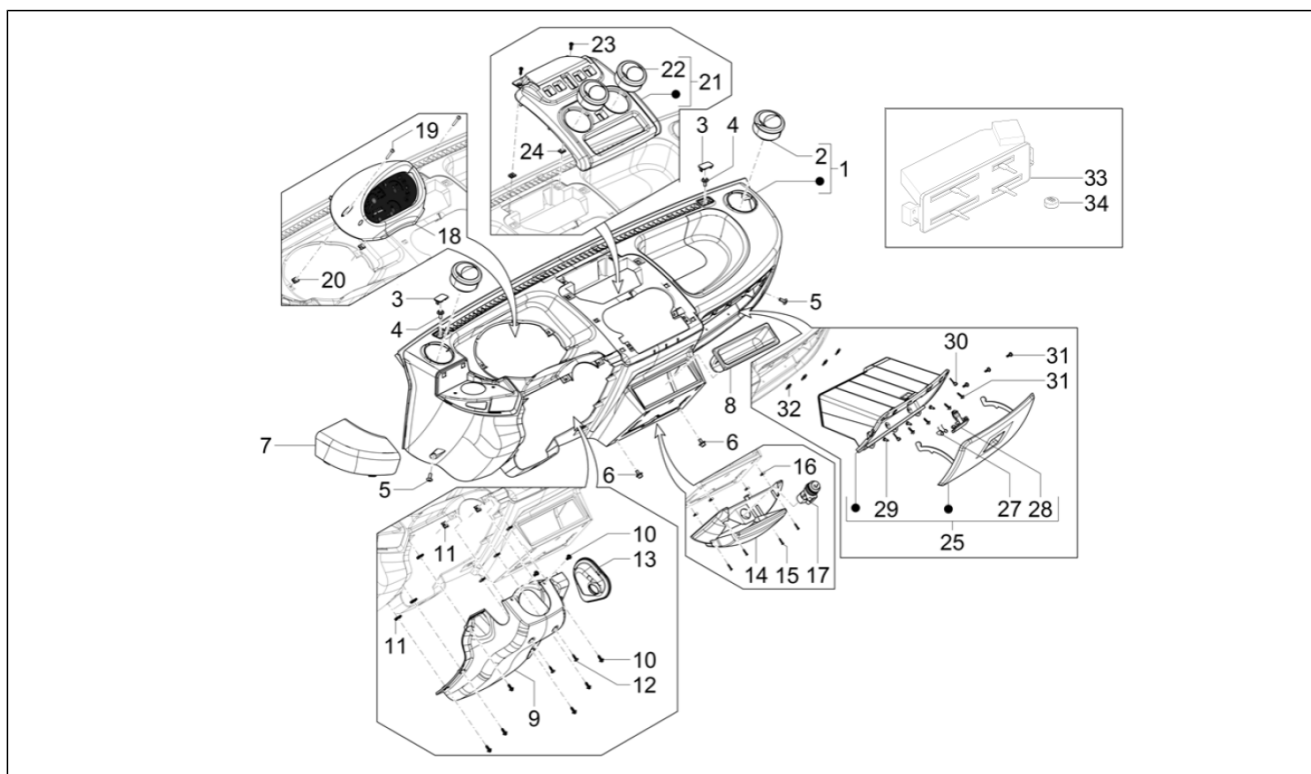
Pos.	Code	Beschreibung	Menge	Varianten
29	487211	TE Schr. m. Flansch M8x45	1	
30	874747	TE Schr. m. Flansch M8x60	1	
31	889637	TE Schr. m. Flansch	2	
32	564005	Schraube	2	
33	1A003247	Riemen Klimaanlagenkompressor	1	
34	1E001615	Haltebügel Leitungen Klimaanlage n°6	1	
35	CM039704	Schelle	2	
36	D9161160614	Flanschschraube	5	
37	1E001548	Haltebügel Leitungen Klimaanlage n°3.2	1	
38	1E001547	Haltebügel Leitungen Klimaanlage n°3.1	1	
39	9165140616000	Schraubbolzen	2	
40	1E001598	Haltebügel Leitungen Klimaanlage n°5	1	
41	1E001549	Haltebügel Leitungen Klimaanlage n°4	1	
42	CM039904	Schelle	1	
43	9161160816000	Schraubbolzen	1	
44	B023371	Sperrfeder Leitungen	1	
45	612505	Rückhaltefeder Leitungen/Kabel D.18-22	3	
46	612504	Rückhaltefeder Leitungen/Kabel D.22-24	2	
47	CM039705	Schelle	2	
48	1D000930	Kabelbaum Klimaanlage	1	

Einheit	Lenker/Lenkung
Code	03.02
Beschreibung	Cockpitinstrumente - Cruscotto
Inspektion	1



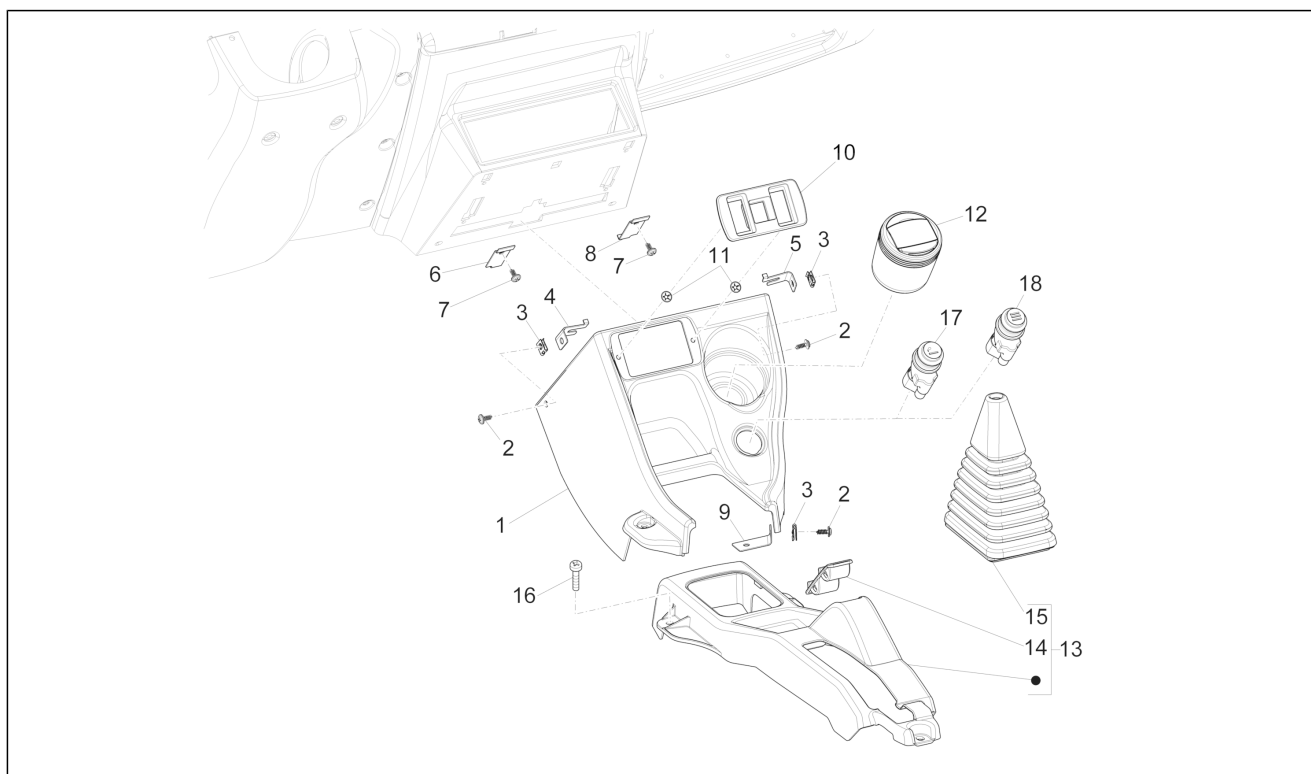
Pos.	Code	Beschreibung	Menge	Varianten
1	B005907	Kabine komplett	1	
2	613323	Luftdüse	2	
3	613813	Deckel	2	
4	D9163140616	Zylinderschraube	2	
5	272836	Schraube M6x16	2	
6	9004119537000	Schraubbolzen	2	
7	614794	Deckel	1	
8	613276	Handschuhfach	1	
9	B005909	Lenksäulenverkleidung	1	
10	D9356755014	Sechskantschraube	8	
11	D9004183025	Federplättchen	8	
12	259349	Schraube M4,2x13	2	
13	1E001524	Verkleidung Lenkradschloss	1	
14	613326	Aschenbecher	1	
15	015859	Schraube 3,5x16	4	
16	CM017403	Federplättchen	4	
17	565429	Zigarettenanzünder	1	
18	1D000816	Instrumenteneinheit komplett	1	
19	614772	Schraube	2	
20	D9004183025	Federplättchen	2	
21	1E002505	Instrumententafel komplett	1	
21	B004258	Instrumententafel komplett	1	
22	613323	Luftdüse	2	
23	B004853	Blechschaube torx	2	
24	D9004183025	Federplättchen	2	
25	B005363	Fach komplett	1	
26	B005363	Fach komplett	1	
27	5552587Z01000	Feder	1	

Einheit	Lenker/Lenkung
Code	03.02
Beschreibung	Cockpitinstrumente - Cruscotto
Inspektion	1



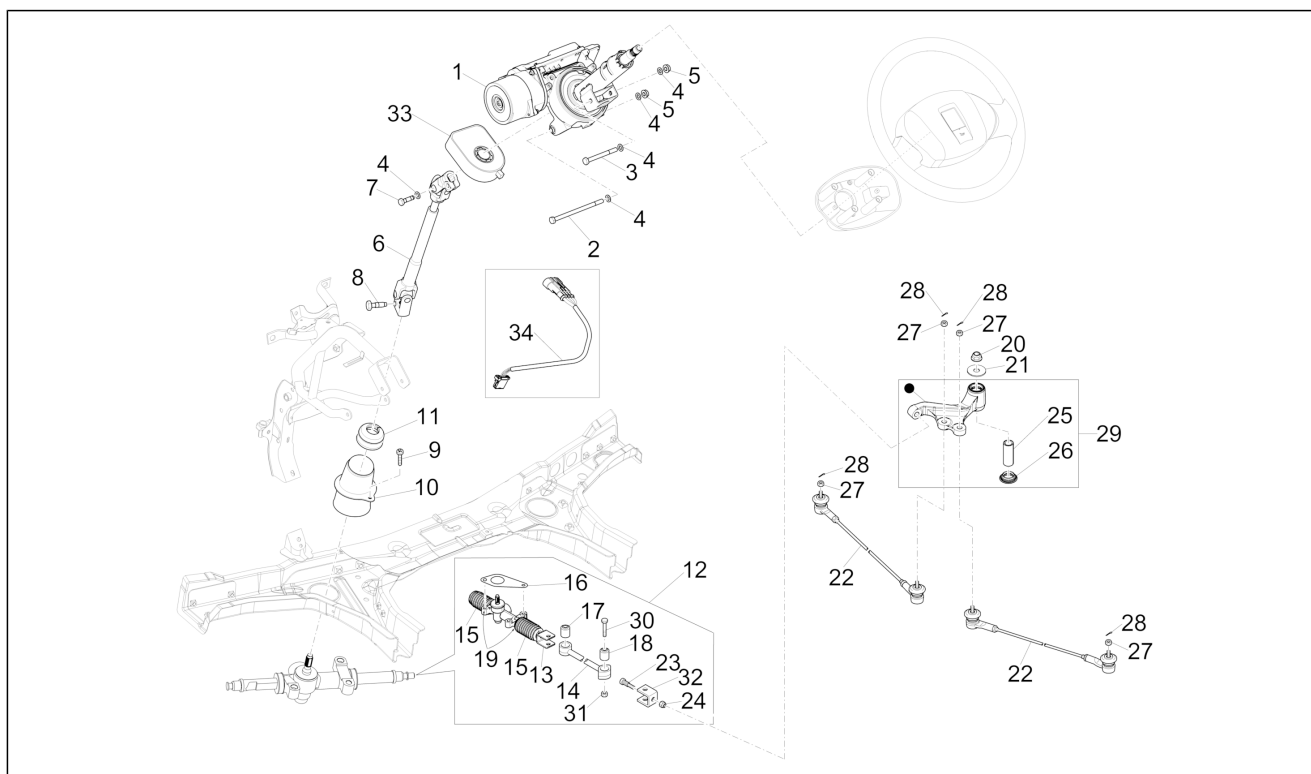
Pos.	Code	Beschreibung	Menge	Varianten
28	644300	Haken klappe	1	
29	9354054012000	Schraube	3	
30	B000973	Gummi	2	
31	9356755016000	Schraube	7	
32	D9004183025	Federplättchen	4	
33	613679	Heizungsbedienung	1	
34	613678	Einstellknopf heizung	4	

Einheit	Lenker/Lenkung
Code	03.04
Beschreibung	Mittlerer Tunnel
Inspektion	1



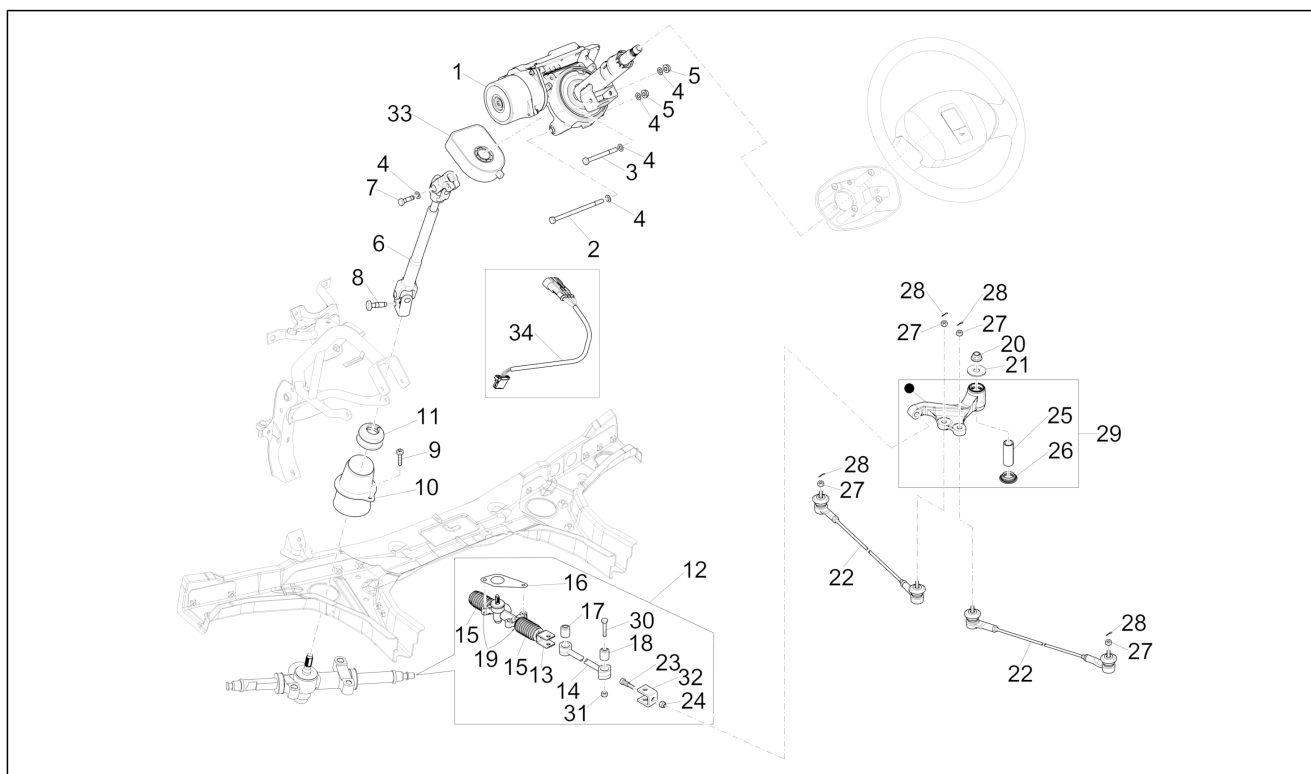
Pos.	Code	Beschreibung	Menge	Varianten
1	B004320	Tunnel	1	
2	D9356755014	Sechskantschraube	3	
3	D9004183025	Federplättchen	3	
4	B004459	L.Bügel unten	1	
5	B004317	R.Bügel unten	1	
6	B004315	Linkes halterbügel	1	
7	015859	Schraube 3,5x16	2	
8	B004316	Rechter halterbügel	1	
9	B004318	Befestigungsbügel Tunnel-Konsole	1	
10	B004325	Schalterträger	1	
11	181351	Federplättchen	2	
12	B004319	Aschenbecher	1	
13	615093	Konsole	1	
14	5882587Z01030	Tasche	1	
15	615430	Staubschutz schaltknüppel	1	
16	296170	Schraube M6x14	3	
17	565429	Zigarettenanzünder	1	
18	B007157	Steckdose	1	

Einheit	Lenker/Lenkung
Code	03.06
Beschreibung	Lenkradartikulation
Inspektion	1



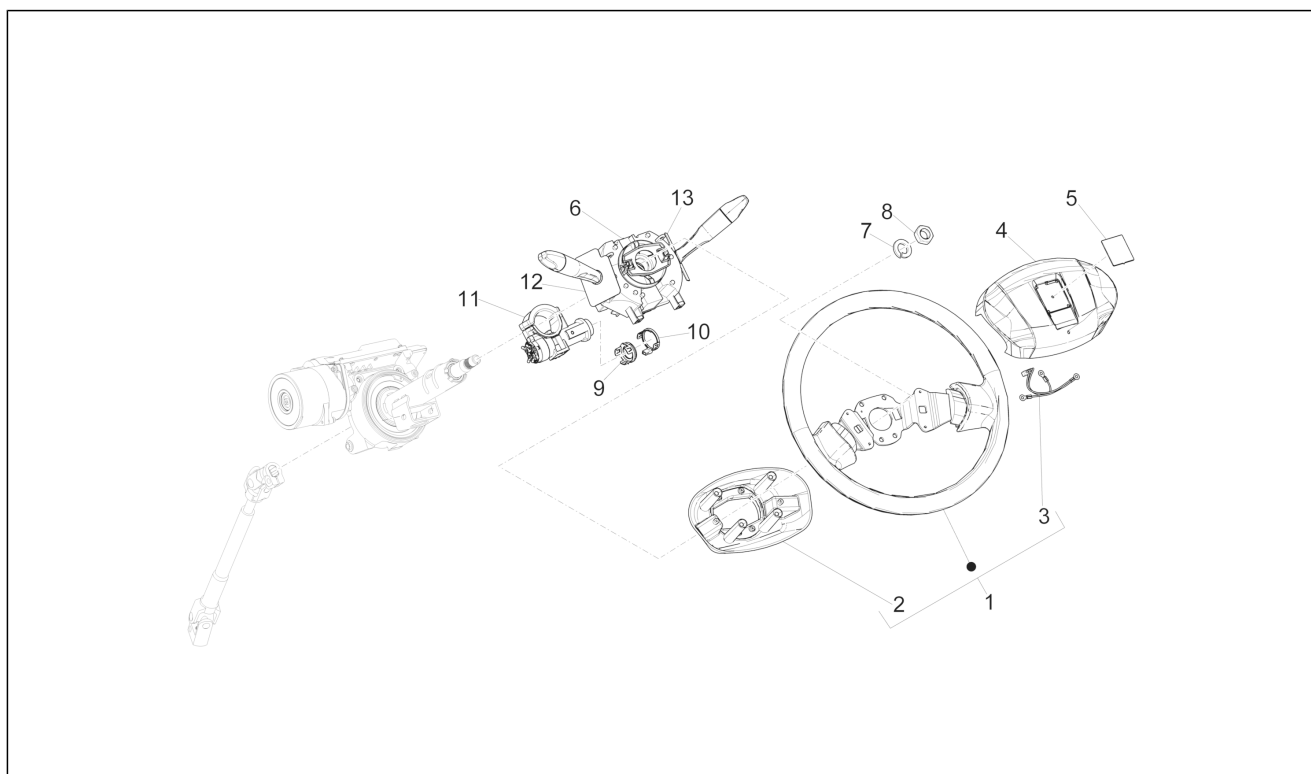
Pos.	Code	Beschreibung	Menge	Varianten
1	B005915	Lenksäule mit EPS (contact less)	1	
2	B000508	Sechskantschraube	1	
3	030082	Schraube	1	
4	006032	Unterlegscheibe	4	
5	967363	Mutter M8x1,25	2	
6	1E001212	Untere Achse Lenkung mit doppeltem Kardangelen	1	
7	B000504	Spezialschraube M8x30	1	
8	B000505	Spezialschraube	1	
9	D9327056012	Sechskantschraube	1	
10	B000466	Haube	1	
11	1E001294	Schutzring	1	
12	B004148	Lenkgehäuse komplett	1	
13	B004827	Bügel	1	
14	B004678	Gelenk	1	
15	B004820	Haube	2	
16	B004694	Staubschutz	1	
17	B004679	Buchse	1	
18	B004680	Buchse	1	
19	B004821	Sprengring	2	
20	9004178043000	Mutter	1	
21	9004201638000	Unterlegscheibe	1	
22	652234	Achsschenkel	2	
23	B004826	Spezialschraube	1	
24	B004825	Mutter, selbstsichernd	1	
25	9004389104000	Bundring	1	
26	9004210027000	Unterlegscheibe	1	
27	9004171003000	Mutter	4	
28	261336	Splint	4	

Einheit	Lenker/Lenkung
Code	03.06
Beschreibung	Lenkradartikulation
Inspektion	1



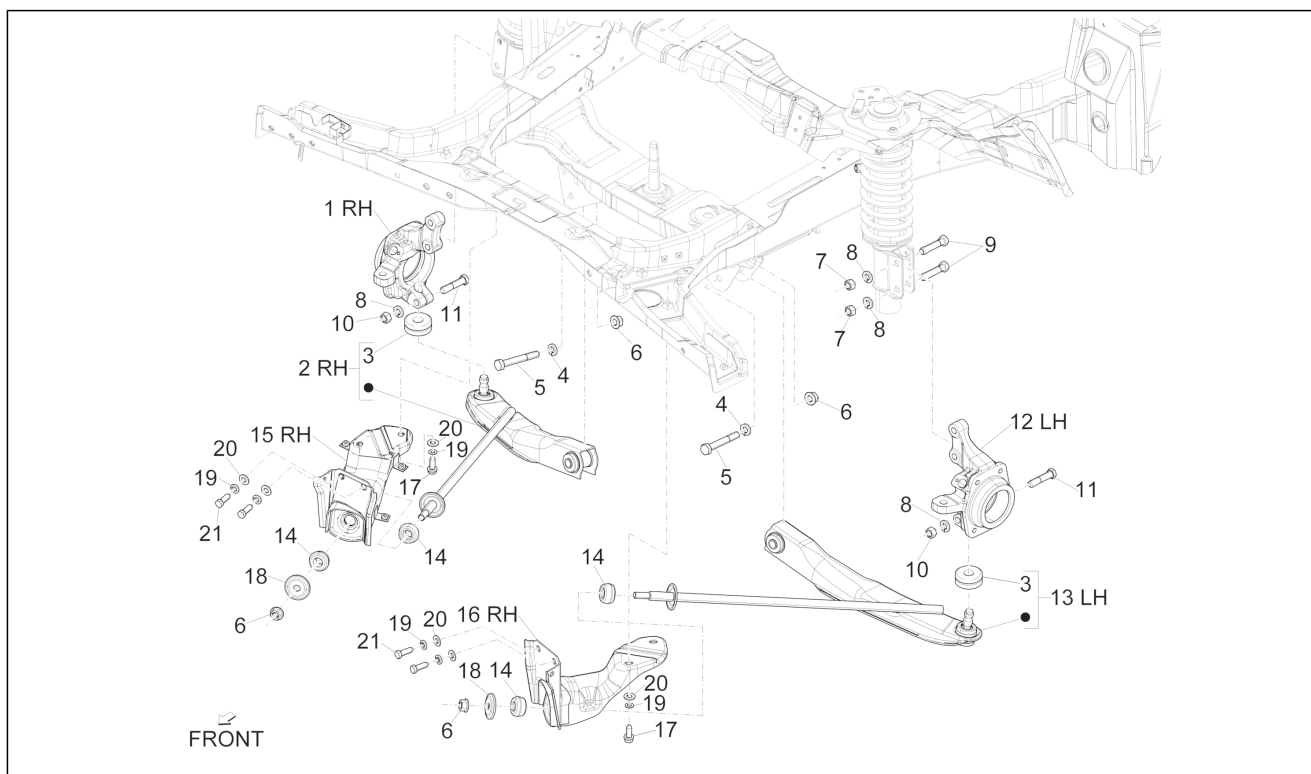
Pos.	Code	Beschreibung	Menge	Varianten
29	2624805	Lenkarm als Ersatz.	1	
30	B004823	Sechskantschraube	2	
31	B004824	Mutter, selbstsichernd	2	
32	B004822	Bügel	1	
33	1D001010	Lenkwinkelsensor	1	
34	1D001120	Kabel Lenkwinkelsensor	1	

Einheit	Lenker/Lenkung
Code	03.08
Beschreibung	Lenkrad
Inspektion	1



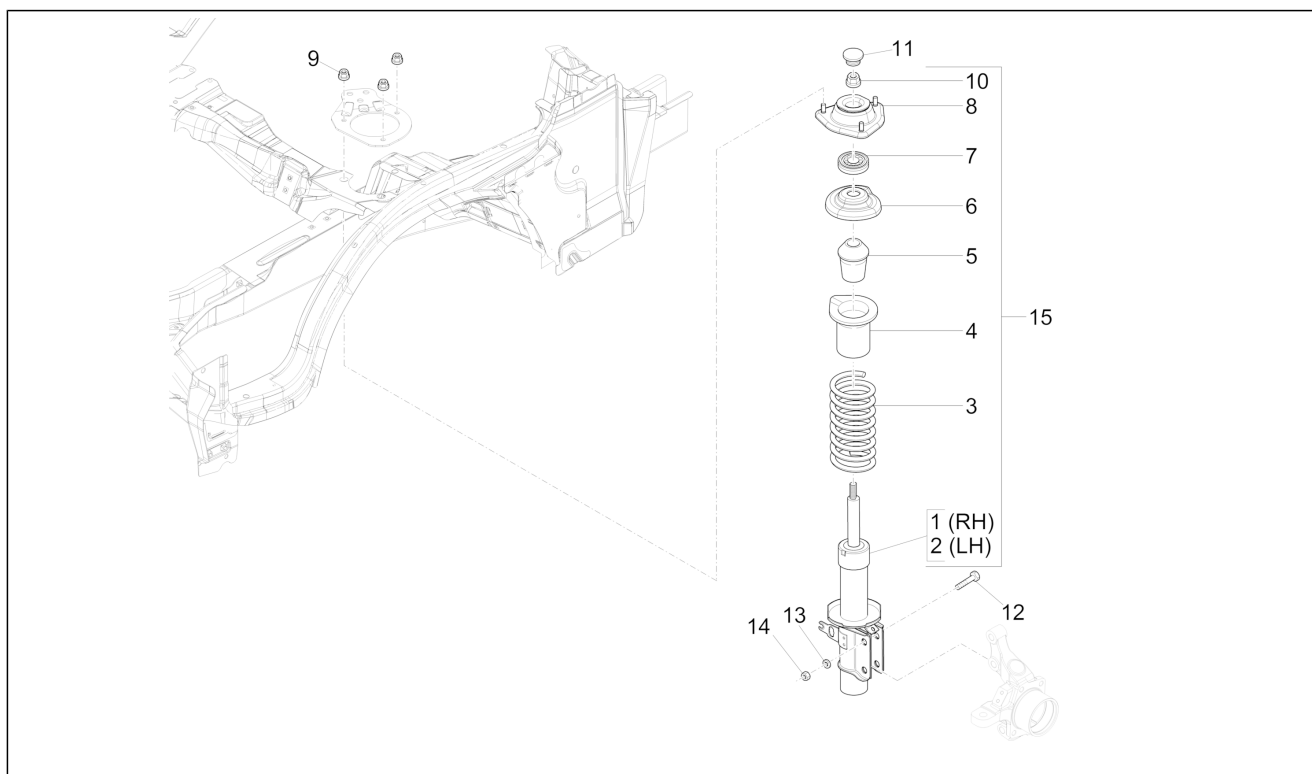
Pos.	Code	Beschreibung	Menge	Varianten
1	B000932	Lenkrad	1	
2	B000933	Schutz unten	1	
3	B000934	Kabel	1	
4	B000935	Abdeckung Hupe	1	
5	B000516	Piaggio plakette	1	
6	B004275	Lichtschalter	1	
7	B000497	Federring	1	
8	021216	Mutter	1	
9	1D001191	Immobilizer antenne	1	
10	1E001523	Antennenhalterung	1	
11	B004111	Lenkerschloss mit Zündschalter	1	
12	B004124	Staubschutzring links	1	
13	B004123	Staubschutzring rechts	1	

Einheit	Radaufhängungen
Code	04.01
Beschreibung	Schwingarm
Inspektion	1



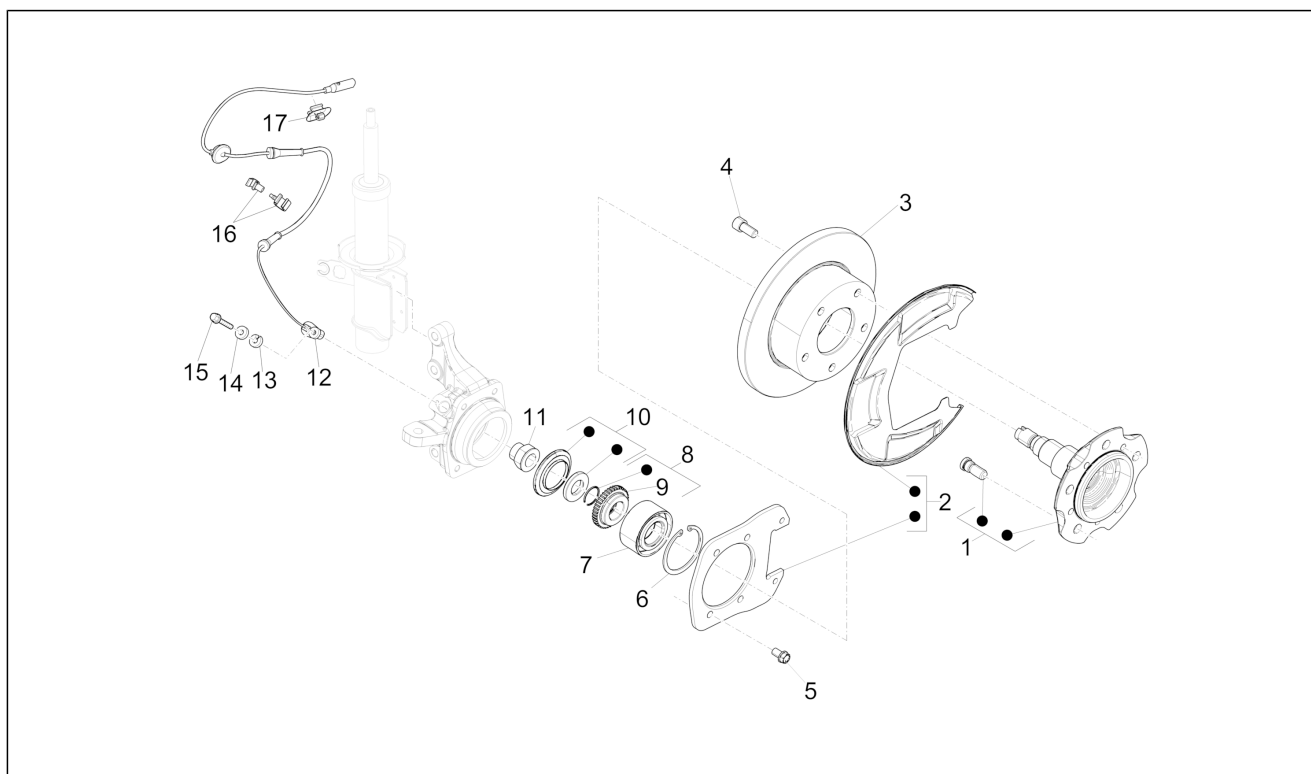
Pos.	Code	Beschreibung	Menge	Varianten
1	1E000807	Säule Vorderradaufh. rechts	1	
2	B007554	Unterer Querlenker Vorderradaufh. rechts mit Innenteilen	1	
3	4334587507000	Staubschutz	2	
4	D9451201200	Flachscheibe	2	
5	B007665	Sechskantschraube M12x90	2	
6	264878	Geflanschte Mutter M12x1,25	2	
7	D9411551200	Mutter	4	
8	D9451201200	Flachscheibe	6	
9	D9004101583	Schraubbolzen	4	
10	D9411571200	Mutter	2	
11	D9004101583	Schraubbolzen	2	
12	1E000806	Säule Vorderradaufh. links	1	
13	B007555	Unterer Querlenker Vorderradaufh. links mit Innenteilen	1	
14	4867487Z01000	Puffer	2	
15	4807387Z01000	Befestigung rechter holm	1	
16	4807487Z02000	Befestigung linker holm	1	
17	B005057	Sechskantschraube M10x30	4	
18	D9004201542	Unterlegscheibe	2	
19	9451201000000	Onduflex u.scheibe	4	
20	D9461211001	Unterlegscheibe	4	
21	B005057	Sechskantschraube M10x30	4	

Einheit	Radaufhängungen
Code	04.03
Beschreibung	Vordere Radaufhängung - Stoßdämpfer
Inspektion	1



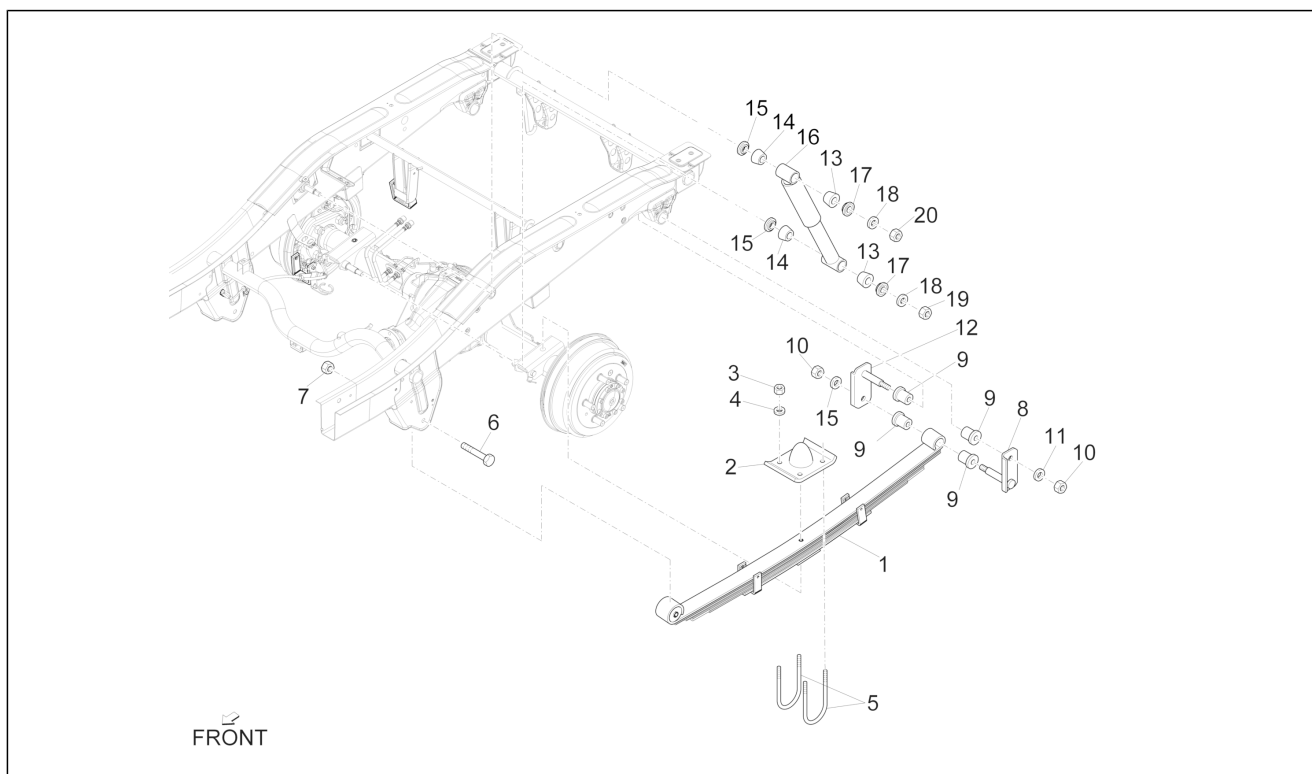
Pos.	Code	Beschreibung	Menge	Varianten
1	1E000819	Stossdämpfer vorne recht	1	
2	1E000818	Stossdämpfer vorderer links	1	
3	B000092	Stoßdämpferfeder	1	
4	4855987Z01000	Staubschutz stoßdämpfer	2	
5	658155	Puffer	2	
6	4847087Z01000	Oberer sitz	2	
7	9004386101000	Stoßdämpferbuchse vorne	2	
8	B004342	Elastische Halterung	2	
9	9004179075000	Mutter	6	
10	264878	Geflanschte Mutter M12x1,25	2	
11	4868487502000	Staubschutz	2	
12	9117171255000	Schraubbolzen M12x55	4	
13	D9451201200	Flachscheibe	4	
14	D9411551200	Mutter	4	
15	CM2648015	Stoßdämpfer vorne LI komplett	1	
15	CM2648025	Stoßdämpfer vorne RE komplett	1	

Einheit	Radaufhängungen
Code	04.04
Beschreibung	Vorderradnabe
Inspektion	1



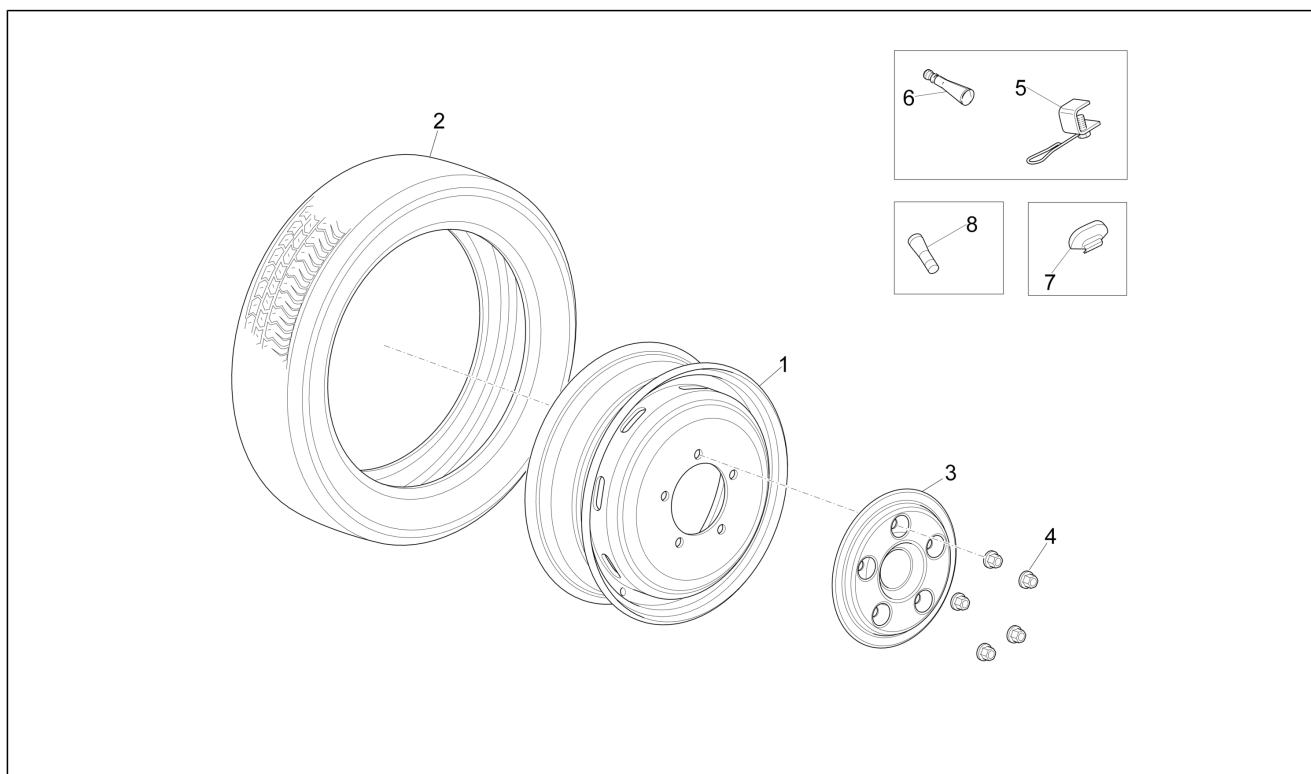
Pos.	Code	Beschreibung	Menge	Varianten
1	1E000809	Nabe Vorderachse mit Innenteilen	2	
2	1E000816	Bremssattelhalter mit Innenteilen	2	
3	B000100	Bremsscheibe	2	
4	B000379	Schraube TCCEI M12x20x1,5	10	
5	D9004119494	Flanschschraube	8	
6	1E000817	Sprengring	2	
7	614765	Lager	2	
8	1E001204	Kompletter Hallgeber	2	
9	1E001005	Phonic wheel	2	
10	1E000813	Distanzscheibe samt Umleiter	2	
11	614692	Mutter mit Unterlegscheibe m22x1,5	2	
12	B000525	Vorderer ABS-Sensor	2	
13	016406	Federring 6,4x11,8x1	2	
14	013777	Unterlegscheibe 6.4x13x1.5	2	
15	031090	Sechskantschraube	2	
16	B004140	Kleine Feder	2	
17	B005629	Molletta	2	

Einheit	Radaufhängungen
Code	04.05
Beschreibung	Hintere Radaufhängung - Stoßdämpfer
Inspektion	1



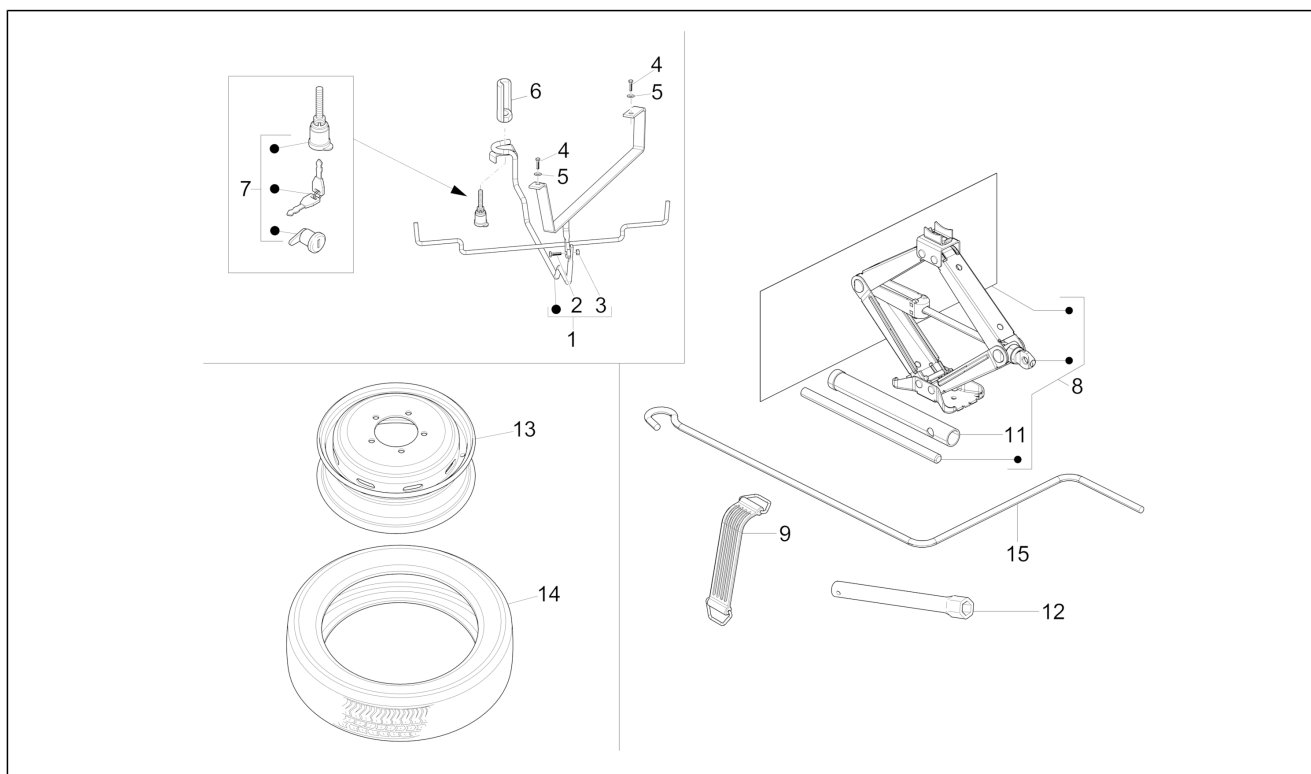
Pos.	Code	Beschreibung	Menge	Varianten
1	B006164	Feder Blattfeder	2	
2	B000068	Puffer	2	
3	B000702	Mutter, selbstsichernd M12x1,25	8	
4	003062	Unterlegscheibe	8	
5	B000067	U-Bolzen	2	
6	B007665	Sechskantschraube M12x90	2	
7	261319	Mutter m12x1,25 h=12,5	2	
8	B004017	Befestigung hinteres aufhängungsgel	4	
9	261219	Gummibuchse	8	
10	D9411051000	Mutter	2	
11	016410	Unterlegscheibe 17,6x11x2,5	2	
12	D4804187Z02	Befestigung hinteres aufhängungsgel	2	
13	B004981	Buchse	8	
14	D9004209144	Flachscheibe	2	
15	D9004209144	Flachscheibe	4	
16	B000032	Hinten Stoßdämpfer kplt.	2	
17	D9004209143	Flachscheibe	4	
18	006982	Unterlegscheibe	4	
19	D9004170152	Mutter	2	
20	D9411541200	Mutter	2	

Einheit	Radaufhängungen
Code	04.06
Beschreibung	Vorderräder und Hinterräder
Inspektion	1



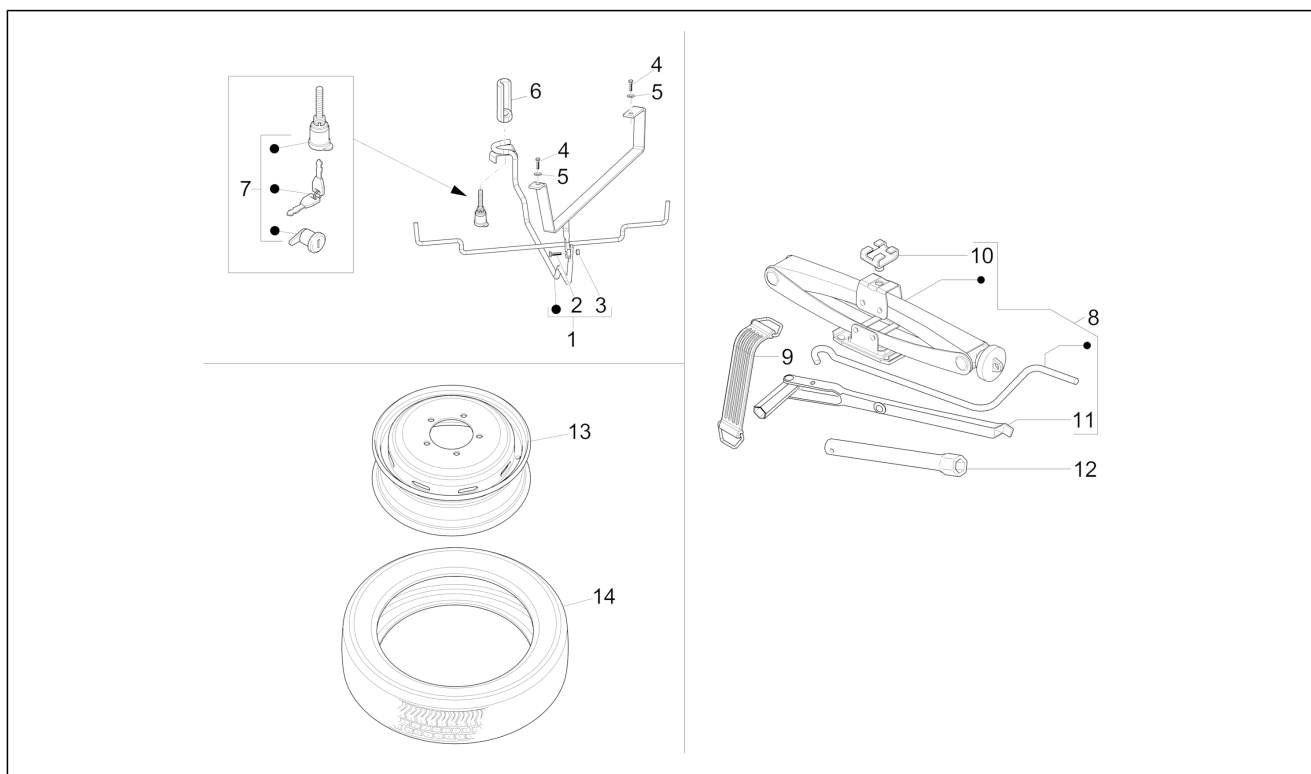
Pos.	Code	Beschreibung	Menge	Varianten
1	56601R	Radfelge	6	
2	56588R	Schlauchloser Reifen 165/65 R14 83S	6	
3	B004713	Komplette Radkappe	2	
4	B000137	Geflanschte Mutter M14x1,5	20	
5	B000144	Bügel	1	
6	B000142	Ventilverlängerung interne Räder	2	
6	B000143	Ventilverlängerung externe Hinterräder	2	
7	B000142	Ventilverlängerung interne Räder	2	
7	B000143	Ventilverlängerung externe Hinterräder	0	
7	CM037402	Ausgleichsgegengewicht 10 g	1	
7	CM037403	Ausgleichsgegengewicht 15 g	1	
7	CM037404	Ausgleichsgegengewicht 20 g	1	
7	CM037405	Ausgleichsgegengewicht 25 g	1	
7	CM037406	Ausgleichsgegengewicht 30 g	1	
7	CM037407	Ausgleichsgegengewicht 35 g	1	
7	CM037408	Ausgleichsgegengewicht 40 g	1	
7	CM037409	Ausgleichsgegengewicht 45 g	1	
7	CM037410	Ausgleichsgegengewicht 50 g	1	
7	CM037411	Ausgleichsgegengewicht 55 g	1	
7	CM037412	Ausgleichsgegengewicht 60 g	1	
8	9004902019000	Ventil	2	

Einheit	Radaufhängungen
Code	04.07
Beschreibung	Ersatzrad - Werkzeugtasche
Inspektion	2



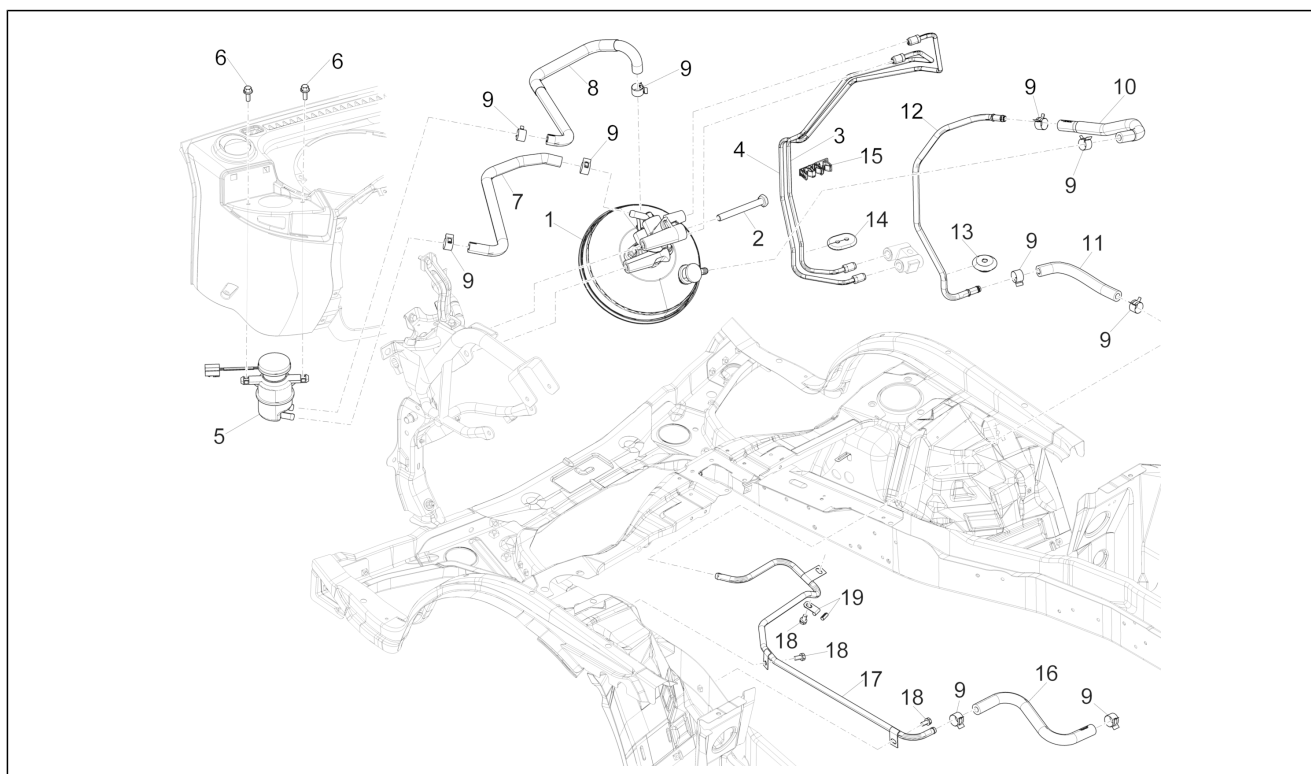
Pos.	Code	Beschreibung	Menge	Varianten
1	B000202	Reserveradtrommel	1	
2	031120	Schraube	1	
3	015335	Mutter	1	
4	031120	Schraube	1	
5	834187	Sprengscheibe 16x8,2x2,2	1	
6	1E000615	Befestigung ersatzrad	1	
7	566819	Bausatz schloßzylinder	1	
8	1E002450	Wagenheber	1	
9	B004002	Gummiriemen	1	
11	1E002447	Werkzeug	1	
12	0915187Z03000	Socket spanner	1	
13	56601R	Radfelge	1	
14	56588R	Schlauchloser Reifen 165/65 R14 83S	1	
15	1E002444	Hebel Wagenheber	1	

Einheit	Radaufhängungen
Code	04.07
Beschreibung	Ersatzrad - Werkzeugtasche
Inspektion	1



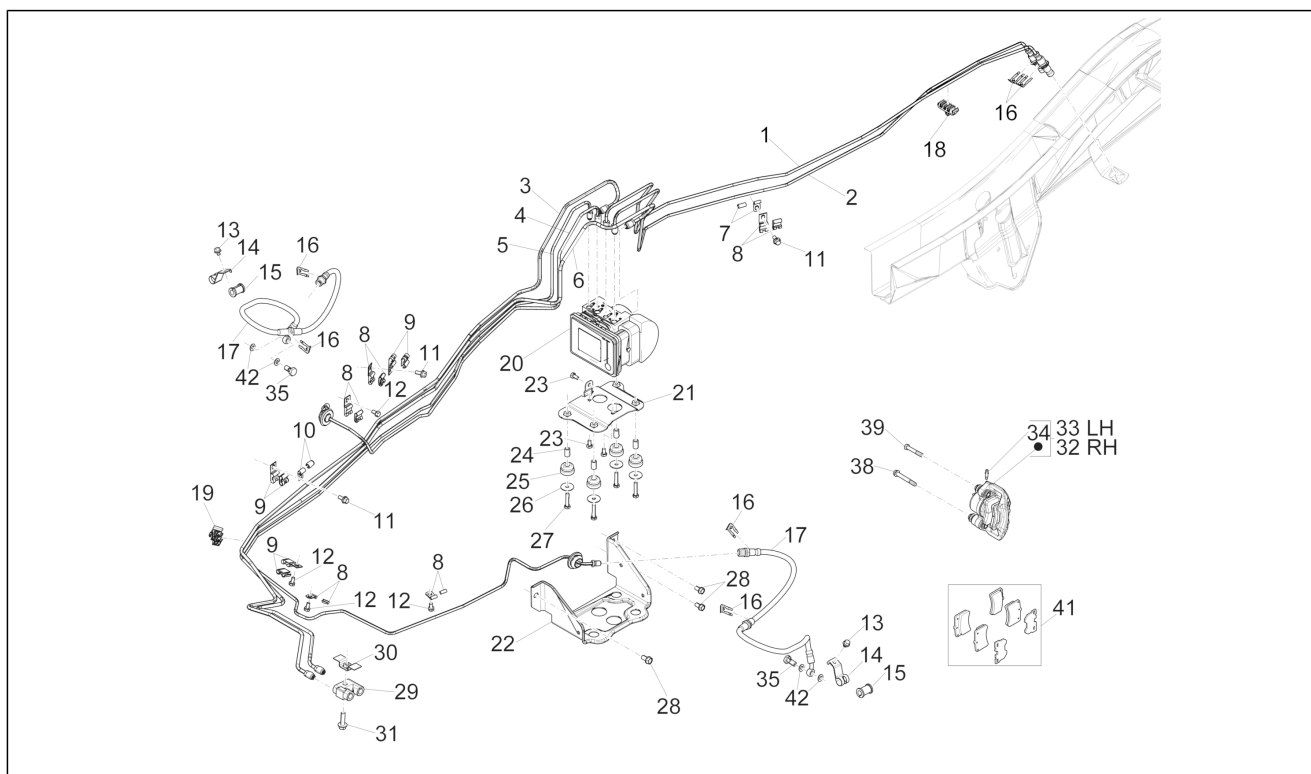
Pos.	Code	Beschreibung	Menge	Varianten
1	B000202	Reserveradtrommel	1	
2	031120	Schraube	1	
3	015335	Mutter	1	
4	031120	Schraube	1	
5	834187	Sprengscheibe 16x8,2x2,2	1	
6	1E000615	Befestigung ersatzrad	1	
7	566819	Bausatz schloßzylinder	1	
8	B000722	Wagenheber	1	
9	B004002	Gummieriemen	1	
10	B004448	Bügel für Wagenheber	1	
11	0915587Z04000	Zündkerzenschlüssel	1	
12	0915187Z03000	Socket spanner	1	
13	56601R	Radfelge	1	
14	56588R	Schlauchloser Reifen 165/65 R14 83S	1	

Einheit	Bremsanlage - Bowdenzüge
Code	05.01
Beschreibung	Front bremschlauchen - Pumpe
Inspektion	1



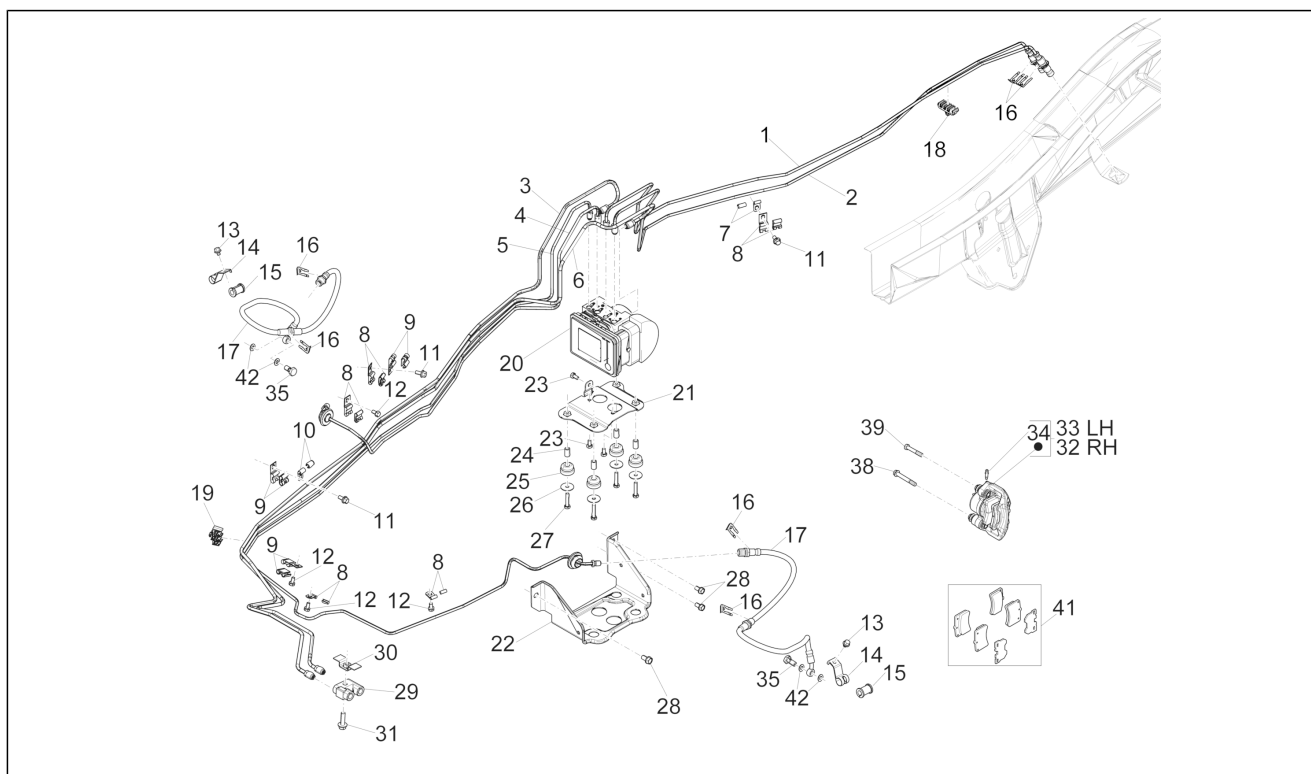
Pos.	Code	Beschreibung	Menge	Varianten
1	1E000969	Bremspumpe komplett	1	
2	262125	Sechskantschraube M10x130	2	
3	1E001315	Bremsleitung vorne TMC / 4-Wege	1	
4	1E001314	Bremsleitung vorne TMC / 4-Wege	1	
5	613319	Öltank Bremsen	1	
6	9165160620000	Schraubbolzen	2	
7	B000892	Tankleitung N.2	1	
8	B000893	Tankleitung N.1	1	
9	D9004467161	Schlauchschelle	9	
10	1E001690	Flexible Leitung Vakuumpumpe Nr. 1	1	
11	B007829	Schlauch	1	
12	4476287Z02000	Leitung	1	
13	9004480378000	Kabelführung	1	
14	1E001062	Kabelführung	1	
15	1E001063	Kleine Feder	1	
16	1E001691	Flexible Leitung Vakuumpumpe Nr. 3	1	
17	B007348	Rohr	1	
18	9161160612000	Schraubbolzen	1	
19	D9622130705	Schelle	1	

Einheit	Bremsanlage - Bowdenzüge
Code	05.03
Beschreibung	Bremschläuchen - Bremszangen II
Inspektion	1



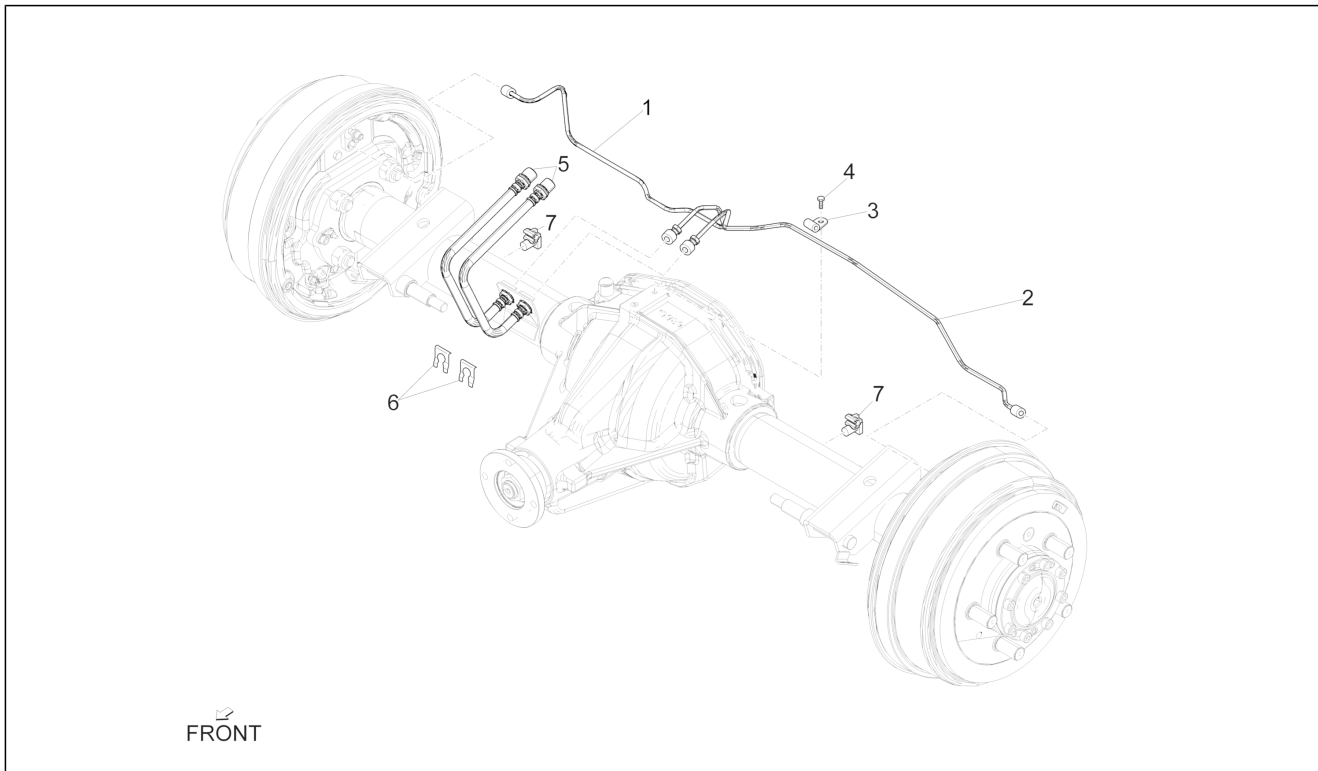
Pos.	Code	Beschreibung	Menge	Varianten
1	1E000918	Bremsleitung HECU/ESC flex. hinten links	1	
2	1E000915	Bremsleitung HECU/ESC flex. hinten rechts	1	
3	1E000905	Bremsleitung vorne 4-Wege HECU/ESC	1	
4	1E000908	Bremsleitung HECU/ESC flex. vorne rechts	1	
5	1E000912	Bremsleitung HECU/ESC flex. hinten links	1	
6	1E000902	Bremsleitung hinten 4-Wege HECU/ESC	1	
7	D9622130705	Schelle	1	
8	D9004461468	Schelle	5	
9	1E001060	Schelle	3	
10	1E001061	Schelle	1	
11	D9165140616	Sechskantschraube	3	
12	9161160612000	Schraubbolzen	4	
13	D9165160610	Flanschschraube	2	
14	D9004461432	Schelle	2	
15	D9004540022	Puffer	2	
16	B005354	Kleine Feder	6	
17	B007247	Vorderradbremseleitung	2	
18	B007118	Schelle	1	
19	1E001087	Kleine Feder	1	
20	1E002510	Steuergerät HECU - ESC	1	
20	1E002244	Steuergerät HECU - ESC ABS	1	
21	1E001444	Haltebügel HECU/ESC/CPI	1	
22	1E000892	Unterer Bügel HECU/ESC	1	
23	031086	Schraube M6x12	2	
24	1E000977	Distanzscheibe	4	
25	1E000976	Puffer	4	
26	016667	Unterlegscheibe	4	
27	030052	Schraube	4	

Einheit	Bremsanlage - Bowdenzüge
Code	05.03
Beschreibung	Bremschläuchen - Bremszangen II
Inspektion	1



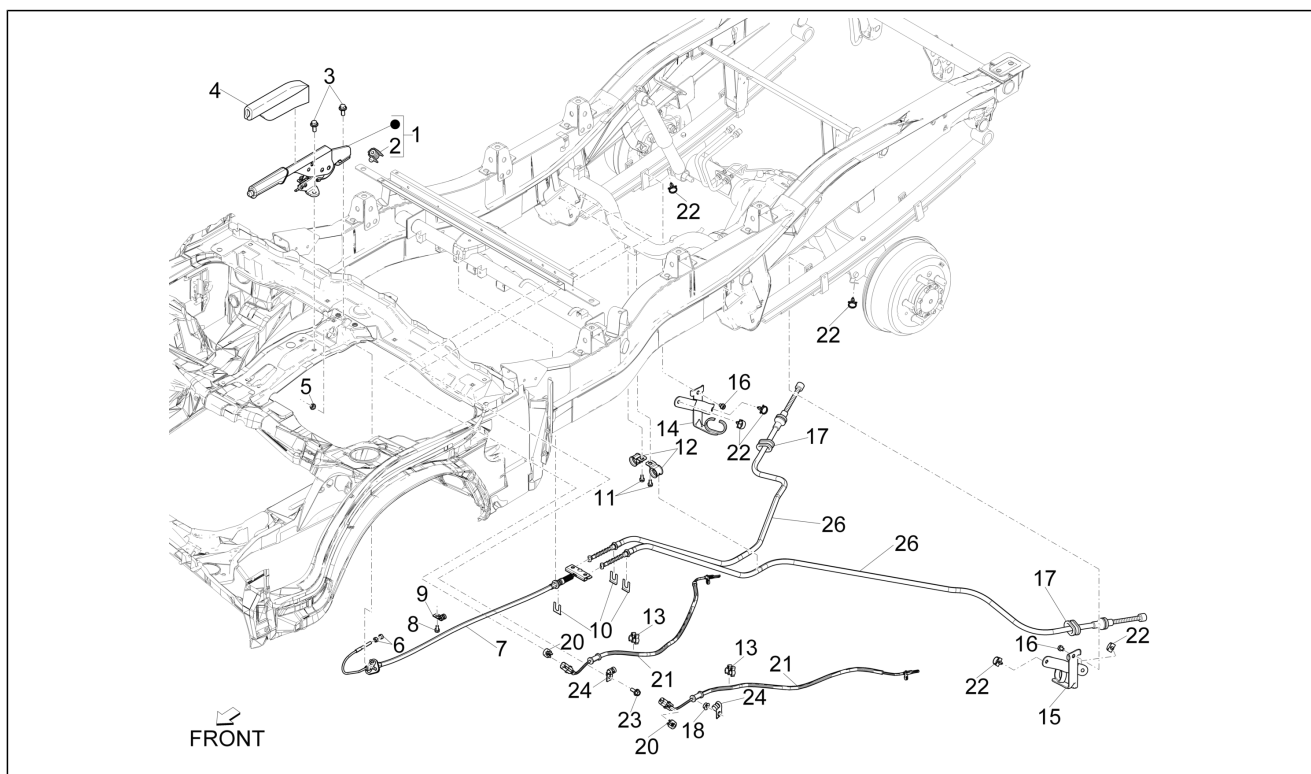
Pos.	Code	Beschreibung	Menge	Varianten
28	D9161160816	Flanschschraube	3	
29	1E001059	4-Wege-Anschluss	1	
30	D5515287Z01	Halterung	1	
31	D9165160830	Flanschschraube	1	
32	658278	Vorderradbremzange r.	1	
33	658279	Vorderradbremzange l.	1	
34	4754787206000	Schraube	2	
35	264454	Schraubbolzen	2	
38	264450	Sechskantschraube M10x71	2	
39	9004101534000	Schraubbolzen	2	
41	837146	Bremsklötze	1	
42	9004430236000	Dichtung	4	

Einheit	Bremsanlage - Bowdenzüge
Code	05.04
Beschreibung	Tubazioni freno posteriori
Inspektion	1



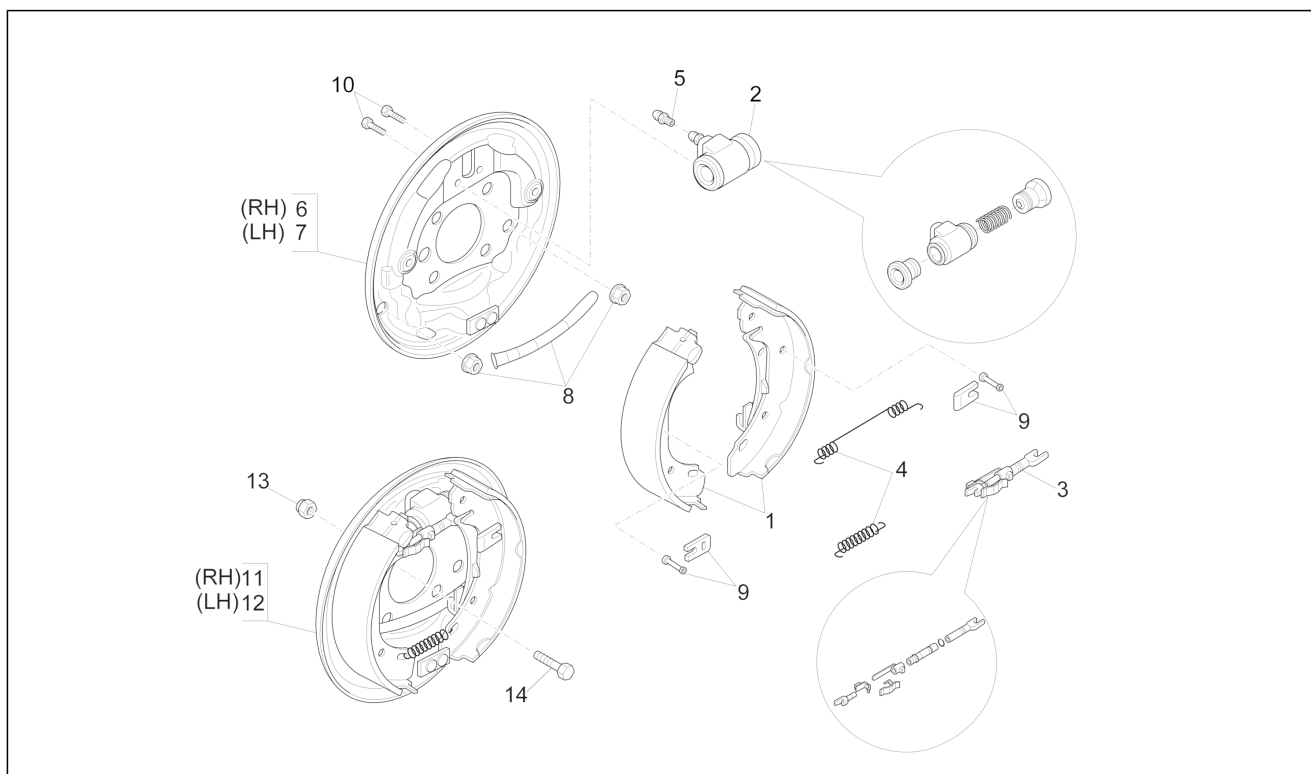
Pos.	Code	Beschreibung	Menge	Varianten
1	837191	Bremsleitung, R.	1	
2	837192	Bremsleitung LI	1	
3	D9622130705	Schelle	1	
4	D9165140616	Sechskantschraube	1	
5	9004922167000	Hintere flexible leitung	2	
6	B005354	Kleine Feder	2	
7	837187	Schelle	2	

Einheit	Bremsanlage - Bowdenzüge
Code	05.06
Beschreibung	Feststellbremse
Inspektion	1



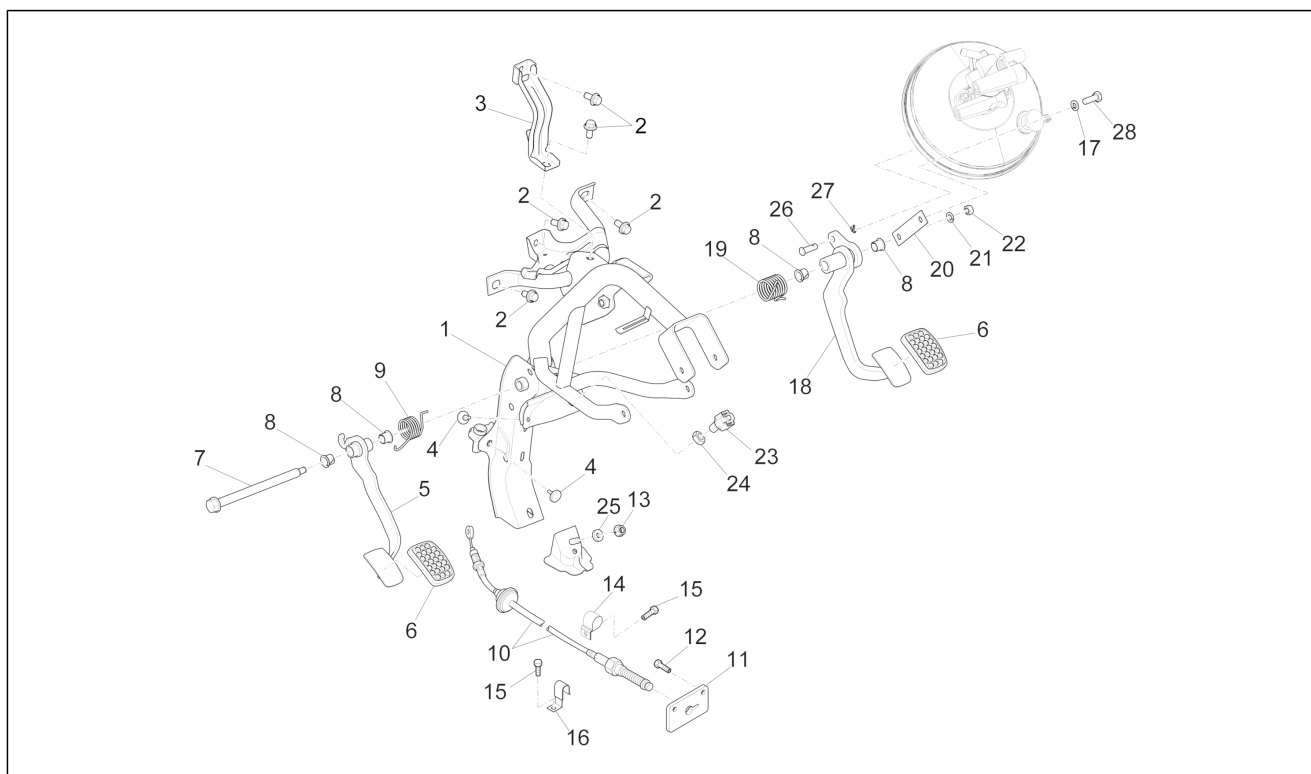
Pos.	Code	Beschreibung	Menge	Varianten
1	1E002476	Feststellbremsenhebel	1	
2	651928	Schalter	1	
3	D9165160822	Sechskantschraube	2	
4	615091	Staubschutz	1	
5	261322	Mutter	2	
6	D9411040600	Mutter	2	
7	B000875	Feststellbremsenzug	1	
8	9161160612000	Schraubbolzen	1	
9	B005030	Schelle	1	
10	9004465038000	Schelle	3	
11	9161160612000	Schraubbolzen	2	
12	644286	Schelle	2	
13	B005352	Schelle	2	
14	1E001407	Kabelführung rechts Feststellbremse	1	
15	1E001404	Kabelführung links Feststellbremse	1	
16	D9338116008	TBEI Schraube	1	
17	B000810	Gummi	2	
18	261322	Mutter	1	
20	B005629	Molletta	2	
21	1E001006	Hinterer Sensor ESC	2	
22	191002	Kleine Feder	5	
23	D9165160618	Flanschschraube	1	
24	B005030	Schelle	2	
26	B000358	Feststellbremsenzug	2	

Einheit	Bremsanlage - Bowdenzüge
Code	05.07
Beschreibung	Bremsbackensätzen
Inspektion	1



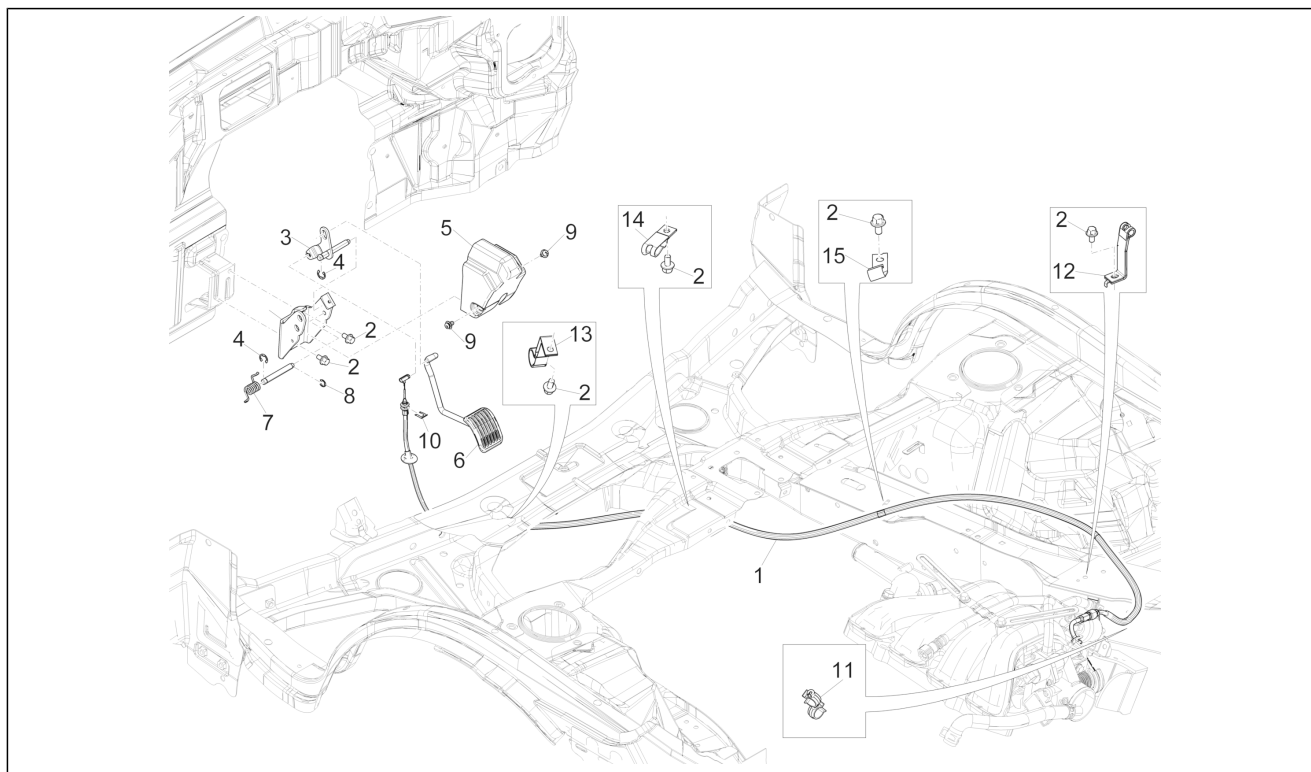
Pos.	Code	Beschreibung	Menge	Varianten
1	837070	Bremsbackensatz, hinterrad	1	
2	837071	Bremszylinder	1	
3	837072	Selbstregler set	1	
4	837073	Satz Federn	1	
5	837074	Bausatz Entlüftungsüberh.	1	
6	837076	L.Bremszangenhalter	1	
7	837075	R.Bremszangenhalter	1	
8	837077	Kit autom. Einrasten	1	
9	837078	Satz Federn	2	
10	837079	Schraube	2	
11	837080	Bremsschuhplatte re komplett	1	
12	837081	Bremsschuhplatte li komplett	1	
13	837082	Mutter	8	
14	837083	Schraube	8	

Einheit	Bremsanlage - Bowdenzüge
Code	05.08
Beschreibung	Steuerpedal - Hebeln
Inspektion	1



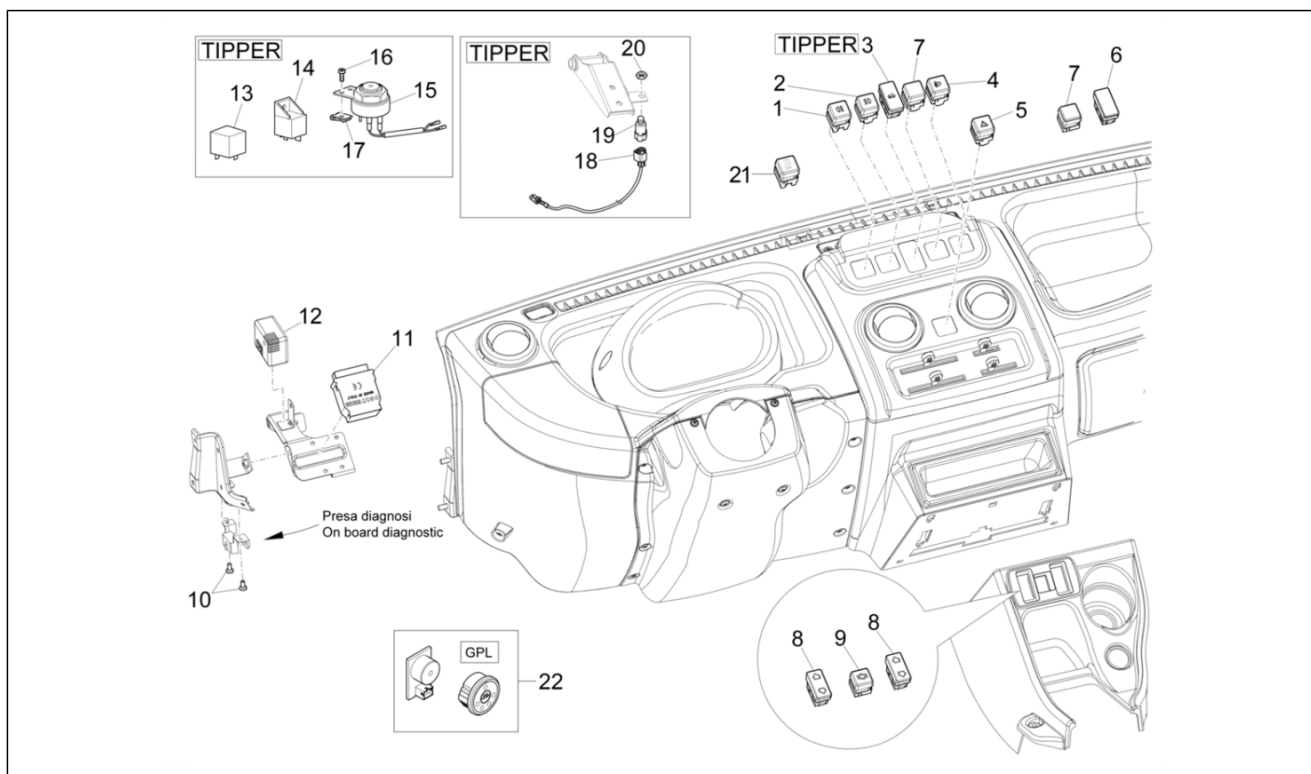
Pos.	Code	Beschreibung	Menge	Varianten
1	1E001222	Halterung Pedale	1	
2	D9165160820	Sechskantschraube	5	
3	B000485	Not available	1	
4	9004540166000	Anschlag kupplungspedal	2	
5	3130187Z07000	Kupplungspedal	1	
6	262128	Pedalbezug	2	
7	3132487Z02000	Welle kupplungspedal	1	
8	9004386115000	Buchse	4	
9	9004508350000	Feder Kupplungspedal	1	
10	CM256203	Kupplungszug komplett	1	
11	B005687	Antriebsplatte	1	
12	9161160614000	Schraubbolzen	2	
13	D9004179052	Mutter	1	
14	D9004461193	Schelle	1	
15	D9165140616	Sechskantschraube	2	
16	D9004461432	Schelle	1	
17	016408	Sprengscheibe 13,75x8,15x4,5	1	
18	B000468	Bremspedal	1	
19	9004508351000	Rückholfeder bremspedal	1	
20	3132587Z01000	Feststellplättchen pedalstange	1	
21	D9453100800	Unterlegscheibe	1	
22	D9411040800	Mutter	1	
23	B023289	Bremslichtschalter	1	
24	196750	Mutter	1	
25	D9461410800	Flachscheibe	1	
26	9004240142000	Hebelbolzen	1	
27	003208	Splint	1	
28	031119	Sechskantschraube M8x22	1	

Einheit	Bremsanlage - Bowdenzüge
Code	05.09
Beschreibung	Gaspedal
Inspektion	1



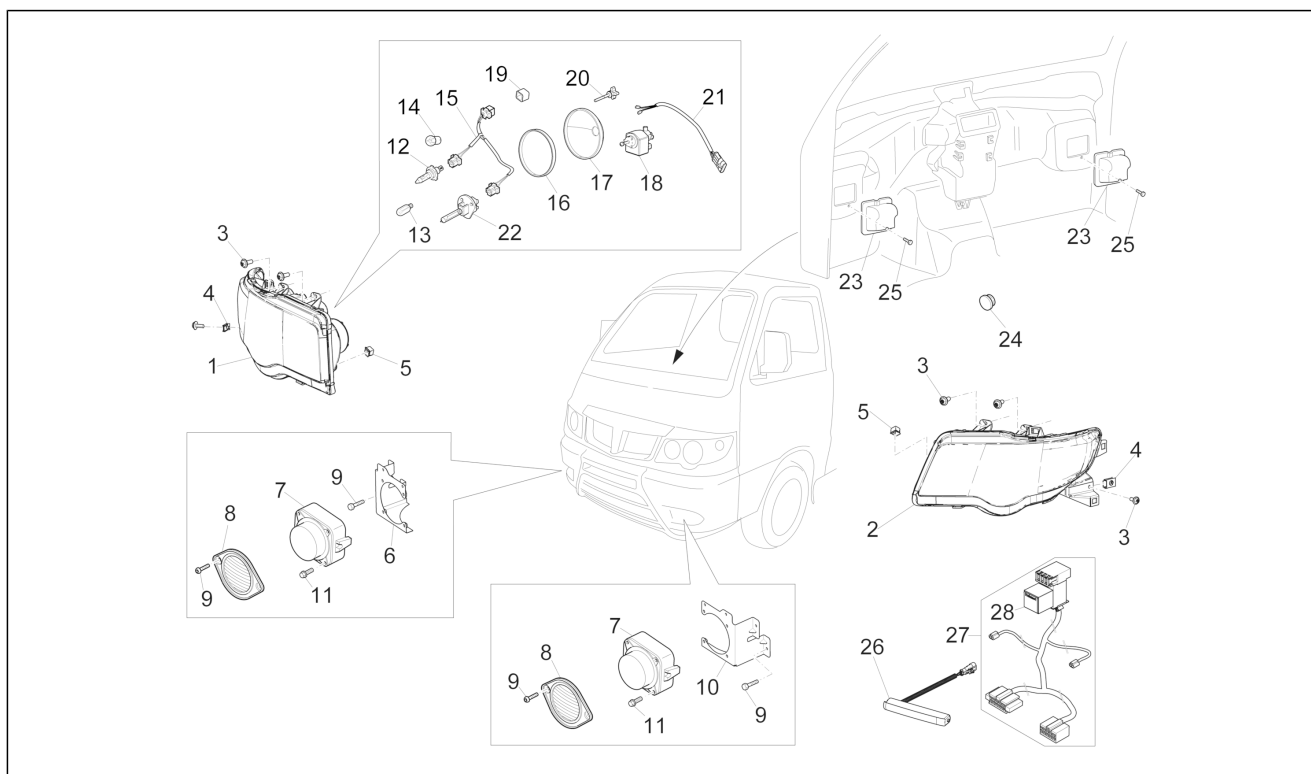
Pos.	Code	Beschreibung	Menge	Varianten
1	1E001626	Gaszug kompl.	1	
2	D9165140614	Sechskantschraube	6	
3	7801387Z01000	Gashebel	1	
4	9616000800000	Sprengring 16x8	1	
5	7811987Z01000	Deckel	1	
6	7810187Z01000	Gaspedal	1	
7	9004508227000	Feder	1	
8	005964	Ring	1	
9	9004159431000	Flanschschraube	2	
10	7818787Z01000	Schelle	1	
11	1E001596	Drehklammer	1	
12	B007136	Schelle	1	
13	D9004461423	Schelle	1	
14	9004461420000	Schelle	1	
15	9004462324000	Schelle	1	

Einheit	Elektrische Anlage
Code	06.01
Beschreibung	Wechselschalter - Umschalter - Druckschalter - Schalter
Inspektion	1



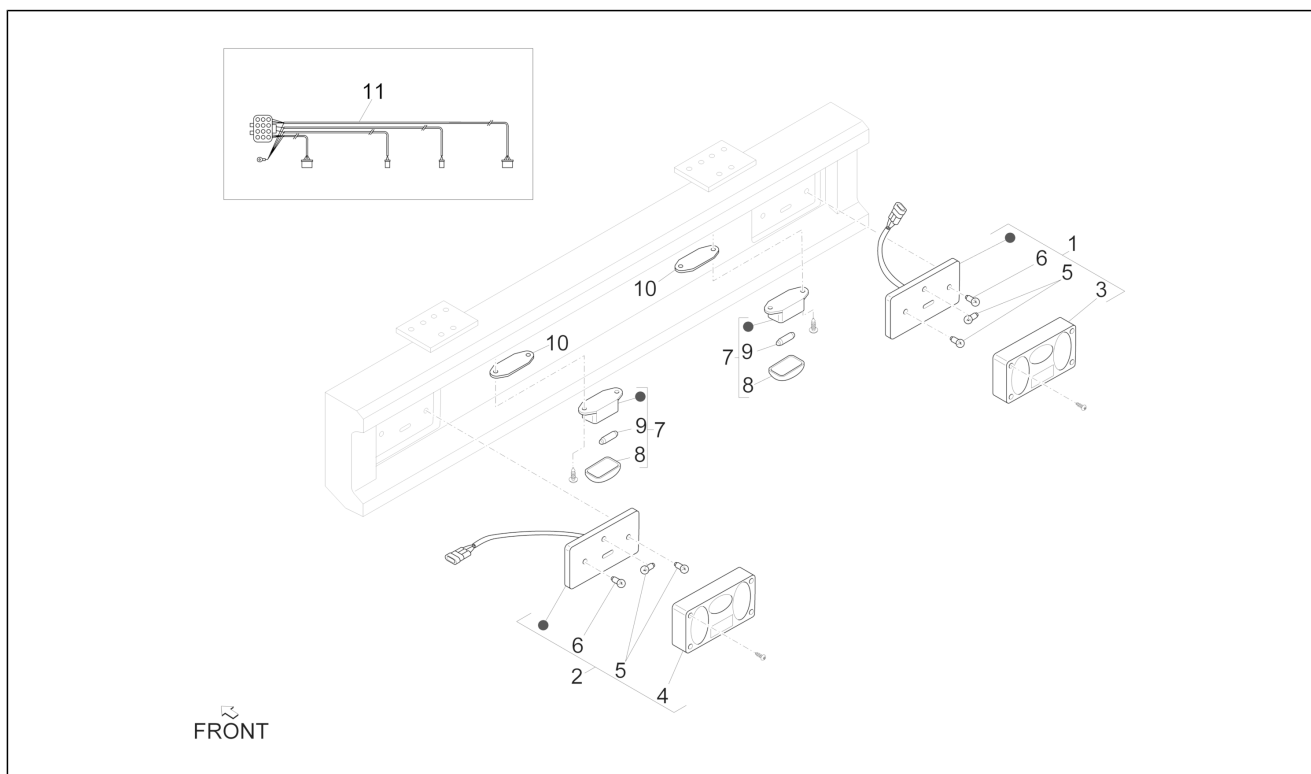
Pos.	Code	Beschreibung	Menge	Varianten
1	B007883	Taste Nebelschlussleuchte	1	
2	B007882	Taste Nebelscheinwerfer	1	
3	B007890	Taste für Kipper	1	
4	B007884	Einstelltaste Scheinwerfer	1	
4	B007884	Einstelltaste Scheinwerfer	1	
5	B007881	Schalter Warnblinklicht	1	
6	B004723	Rechteckiger Deckel	2	
7	B004278	Quadratischer Deckel	3	
8	B007889	Taste Fensterheber	1	
9	B007885	Taste Klimaanlage	1	
10	018575	Schraube M5x10	2	
11	B005700	Zeitschalter	1	
12	B005027	Blinken	1	
13	615392	Blinken	1	
14	58115R	Anlasser-Fernrelais 12V-80A	1	
15	231284	Akust. kontrollampe	1	
16	009000	Schraube 2,9x13	2	
17	CM017408	Platte	2	
18	B005906	Stützen	1	
19	1D001075	Endschalter	1	
20	196750	Mutter	1	
21	1D002025	Schalter ESC OFF	1	
22	659730	Umschalter und Summer	1	

Einheit	Elektrische Anlage
Code	06.02
Beschreibung	Vorderleuchten - Blinkleuchten
Inspektion	1



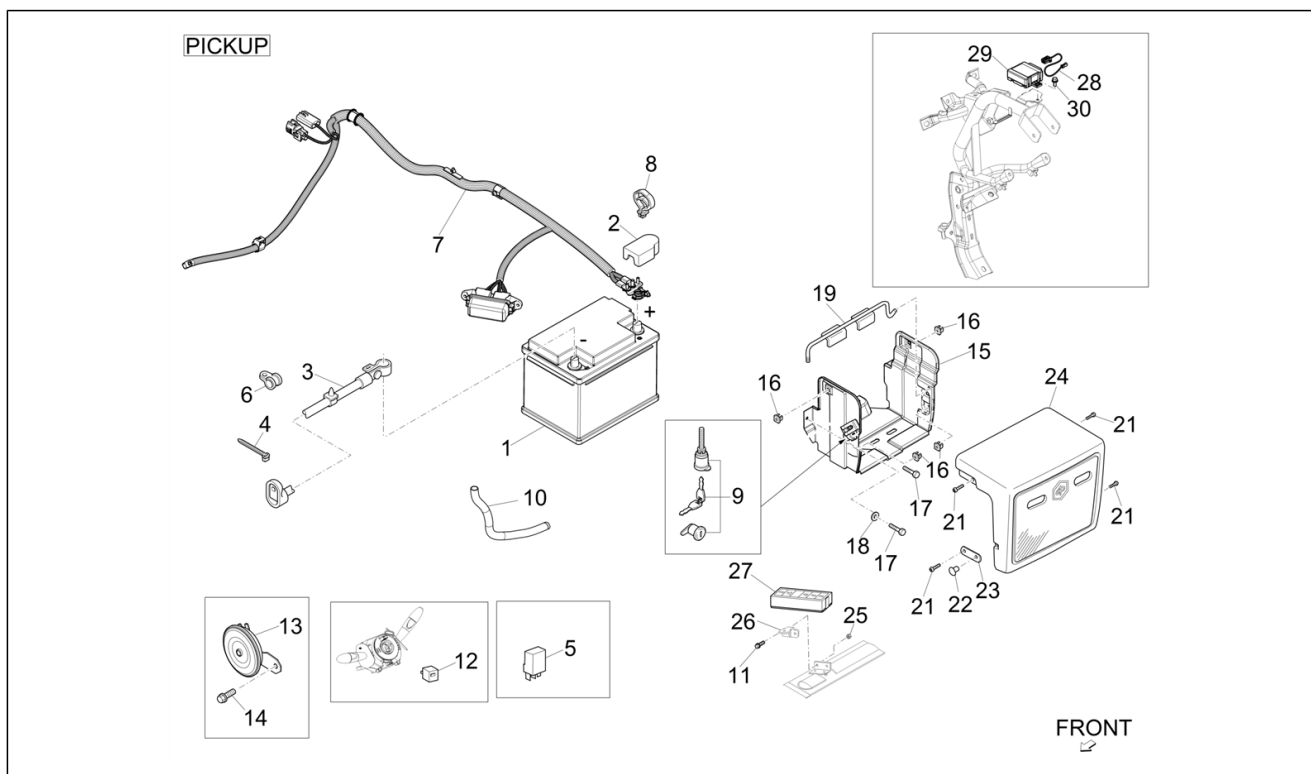
Pos.	Code	Beschreibung	Menge	Varianten
1	658970	Scheinwerfer rechts	1	
2	658971	Scheinwerfer links	1	
3	9004159230000	Schraubbolzen	6	
4	248419	Federplättchen M5	2	
5	566260	Verankerungseinheit scheinwerfer	2	
6	B000937	Rechtes bügel	1	
7	651886	Nebelscheinwerfer	2	
8	566568	Schutzgrill	2	
9	D9356755014	Sechskantschraube	4	
10	B000843	Linkes bügel	1	
11	D9331515010	Flanschschraube	8	
12	294353	Lampen H7 12V-55W	2	
13	292022	Lampen 12V-5W	2	
14	584004	Lampen 12V-21W (Ambra)	2	
15	B004809	Verbinder	2	
16	B004810	Dichtung	2	
17	B004811	Verschlusschraube	2	
18	B004730	Stellmotor Scheinwerfer	2	
19	B004807	Verschlusschraube	2	
20	B004806	Scheinwerfereinstell griff	2	
21	B004808	Kabelbaum Scheinwerfer	2	
22	580141	Lampen H1 12V-55W	2	
23	B000979	Deckel Inspektionsbohrung	2	
24	9004871138000	Deckel 20	2	
25	9004159230000	Schraubbolzen	2	
26	1D000776	LED-Scheinwerfer für DRL	1	
27	1D000790	Federbügel Zubehör	1	
28	643452	Mikrorelais mit Widerstand 12V-30A/10A	1	

Einheit	Elektrische Anlage
Code	06.03
Beschreibung	Hinterleuchten - Blinkleuchten
Inspektion	1



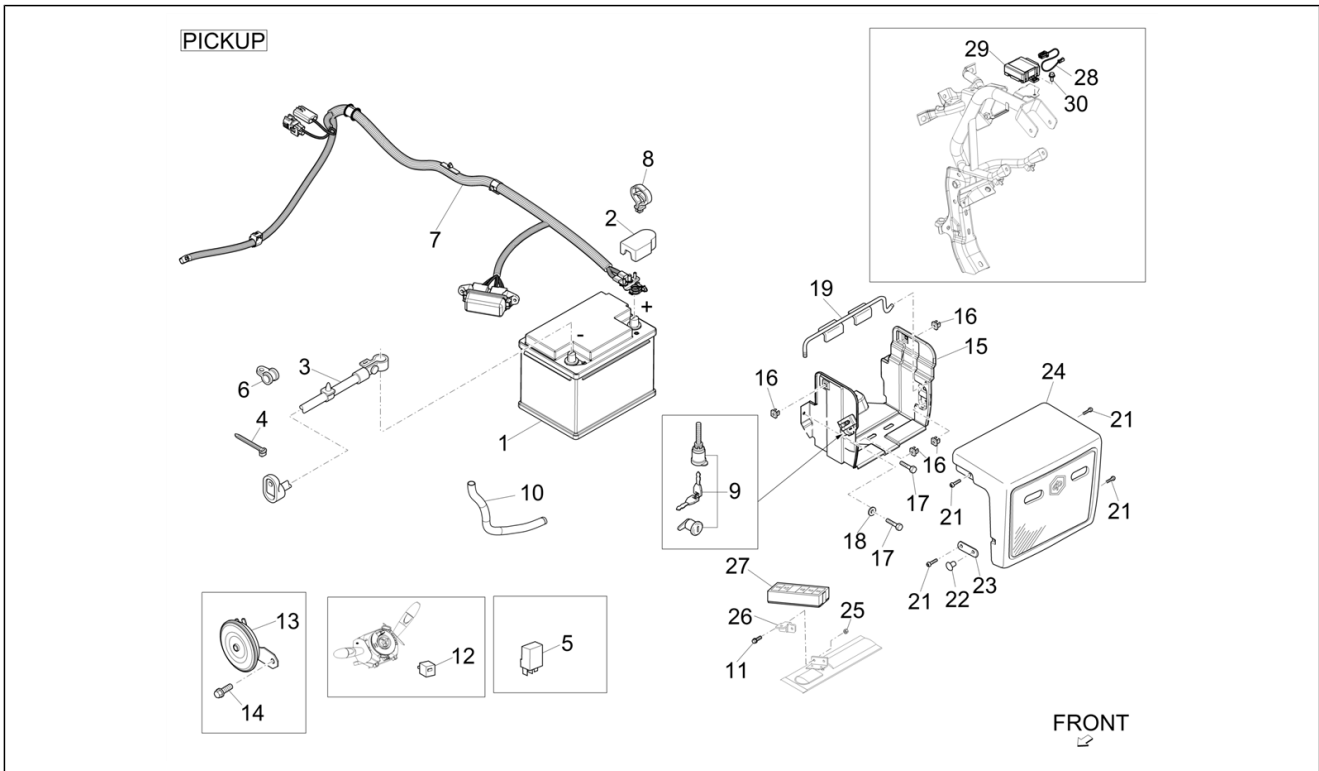
Pos.	Code	Beschreibung	Menge	Varianten
1	B005151	Rücklicht rechts mit Blinker	1	
2	B005150	Rücklicht links mit Blinker	1	
3	B005155	Glas rechts	1	
4	B005154	Glas links	1	
5	160654	Lampen 12V-21W	4	
6	129953	Lampen 12V-21/5W	2	
7	B005152	Nummernschildbeleuchtung	2	
8	B005156	Abdeckung nummernschildbeleuchtung	2	
9	071633	Sofitte 12V-5W	2	
10	B005157	Dichtung	2	
11	B005153	Rückw. Kabel	1	

Einheit	Elektrische Anlage
Code	06.04
Beschreibung	Fernschalteren - Batterie - Hupe
Inspektion	1



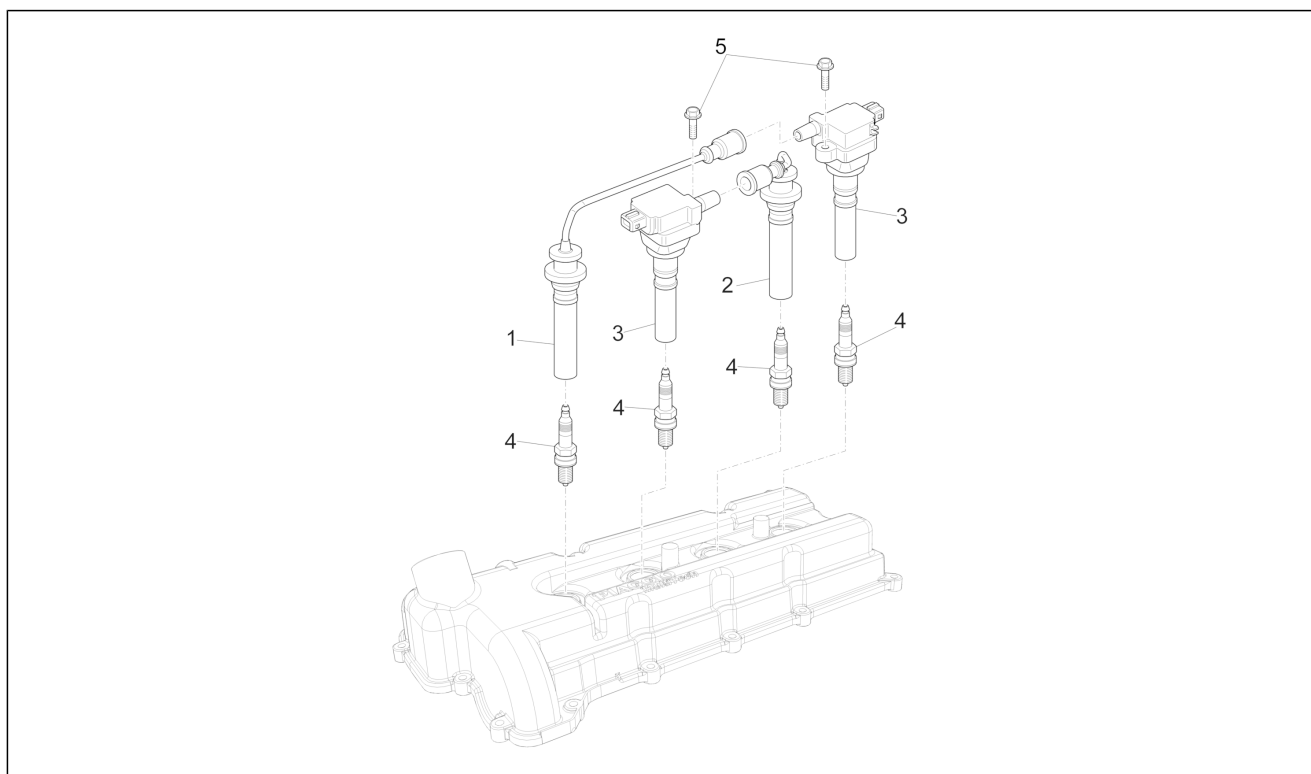
Pos.	Code	Beschreibung	Menge	Varianten
1	600699M	Batterie 12V-55Ah	1	
2	580188	Kappe Batteriepluspol	1	
3	641458	Negativkabel	1	
4	257134	Reißselle L=277	1	
5	B007353	Fernschalter A727 12V-30A 702.50 46520422	1	
6	644286	Schelle	1	
7	1D001217	Pluskabel Batterie	1	
7	1D001291	Pluskabel Batterie	1	
8	D9004464482	Schelle	1	
9	613839	Kit Diebstahlschutz für Reserverad	1	
10	645581	Entlüftungsschlauch Kühler	1	
11	D9165140620	Flanschschraube	2	
12	493997	Relais Blinkgeber	1	
13	660522	Akustischer Signalgeber	1	
14	D9161140814	Schraube + Scheibe	1	
15	B0259505	Batteriehalterung mit Innenteilen	1	
16	9004189001000	Spreizdübel	4	
17	D9165140614	Sechskantschraube	3	
18	9004208030000	Unterlegscheibe	2	
19	B0259535	Befestigungshaken Batterie	1	
21	9356055012000	Schraube	4	
22	263750	Schelle	1	
23	263740	Halter	1	
24	262836	Batteriedeckel	1	
25	620356	Mutter	2	
26	B005119	Halterbügel	1	
27	B004583	Bügel Sicherungshalter	1	
28	1D001294	Antennenkabel Wegfahrsperr	1	

Einheit	Elektrische Anlage
Code	06.04
Beschreibung	Fernschalteren - Batterie - Hupe
Inspektion	1



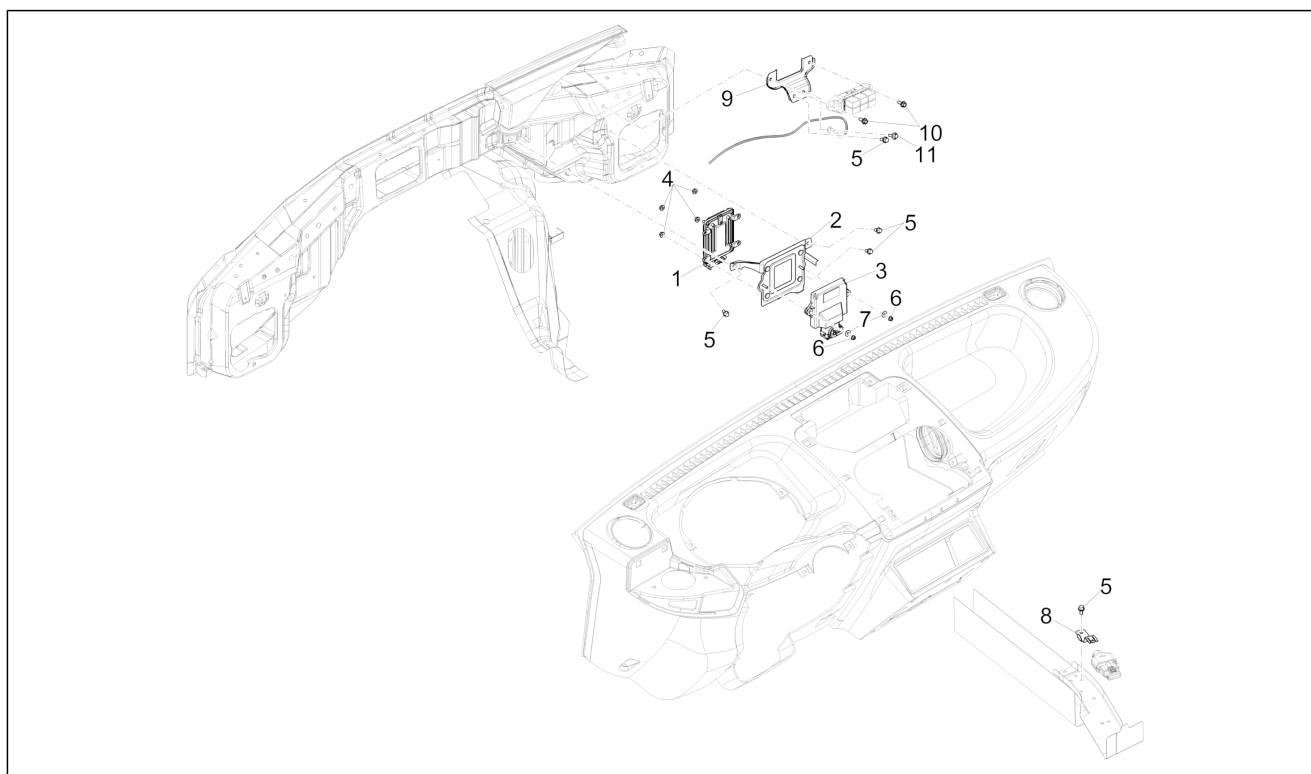
Pos.	Code	Beschreibung	Menge	Varianten
29	1D001190	Decoder für Wegfahrsperre	1	
30	D9165140616	Sechskantschraube	1	

Einheit	Elektrische Anlage
Code	06.05
Beschreibung	Spannungsreglerern - Zündspule
Inspektion	1



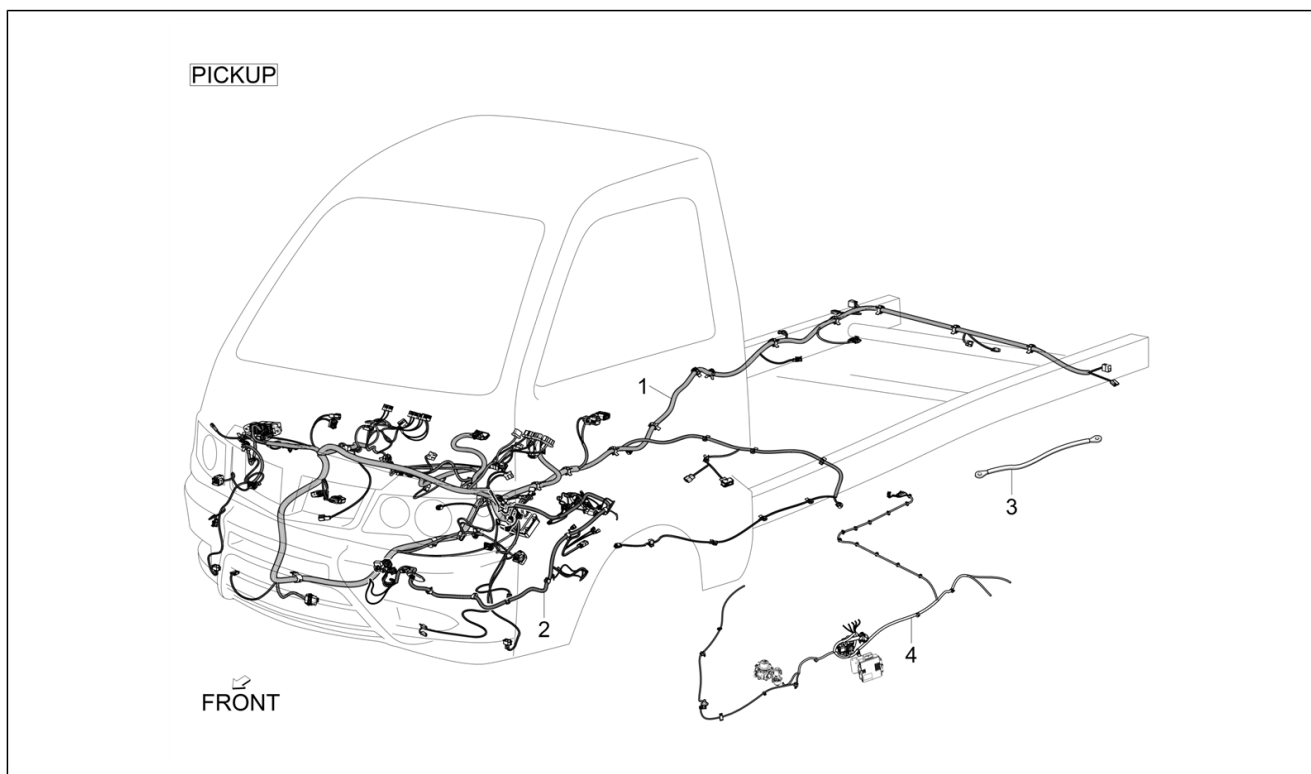
Pos.	Code	Beschreibung	Menge	Varianten
1	CM279501	Zündspulenkabel komplett L=185 mm	1	
2	CM279502	Zündspulenkabel komplett L=32 mm	1	
3	1A005644	Zuendtransform.cpl.	1	
4	1A005645	Zündkerze	1	
5	B010073	Sechskantschraube M6x25	1	

Einheit	Elektrische Anlage
Code	06.06
Beschreibung	Steuerelektroniken - Sensoren
Inspektion	1



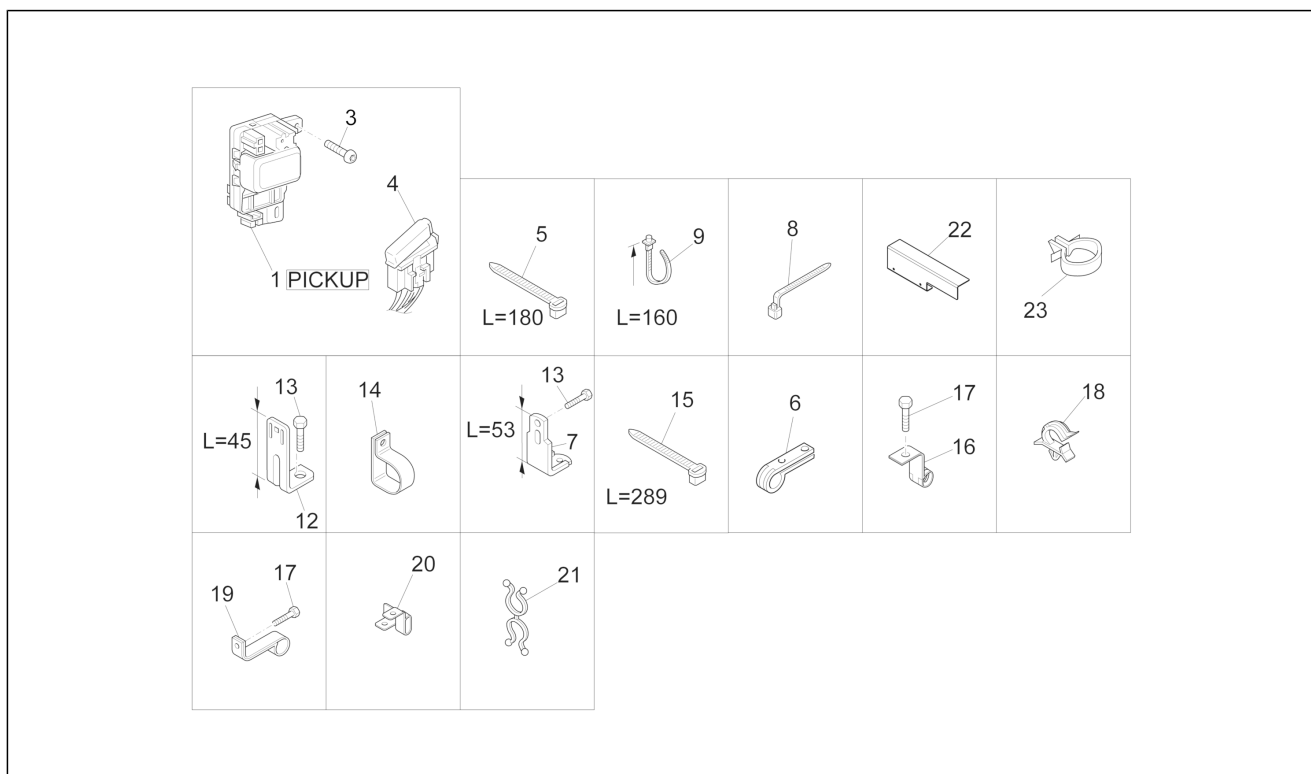
Pos.	Code	Beschreibung	Menge	Varianten
1	1D000970	Elektronisches Einspritzsteuergerät	1	
2	1E001140	Haltebügel Steuergerät mit Innenteilen	1	
3	1D000720	Steuergerät EXI	1	
3	CM272704	Steuergerät EXI	1	Modell: Für Modelle mit Erdgasversorgung[CNG]
3	CM272706	Steuergerät EXI	1	Modellversion: Für Modelle HS (High Slope)[HS] Modell: Für Modelle mit Erdgasversorgung[CNG]
3	1A012100	Steuergerät EXI	1	Modellversion: Für Modelle HS (High Slope)[HS] Modell: For Euro 6 C type-approved models[E6-C]
3	CM301903	Steuergerät EXI	1	Modell: For Euro 6 C type-approved models[E6-C] Für Modelle mit LPG[GPL]
3	CM301904	Steuergerät EXI	1	Modell: For Euro 6 C type-approved models[E6-C] Für Modelle mit Erdgasversorgung[CNG]
3	CM301905	Steuergerät EXI	1	Modellversion: Für Modelle HS (High Slope)[HS] Modell: For Euro 6 C type-approved models[E6-C]
4	261322	Mutter	4	
5	D9165140616	Sechskantschraube	3	
6	241937	Mutter, selbstsichernd M5	2	
7	013754	Unterlegscheibe	2	
8	1E001206	Haltebügel Kabelstecker	1	
9	1E001159	Haltebügel Relais	1	
10	D9165160618	Flanschschraube	2	
11	031089	Sechskantschraube M6x18	1	
12	CM272703	LPG-Steuergerät	1	
12	CM272705	LPG-Steuergerät	1	Modellversion: Für Modelle HS (High Slope)[HS]

Einheit	Elektrische Anlage
Code	06.08
Beschreibung	Hauptkabelbaum II
Inspektion	1



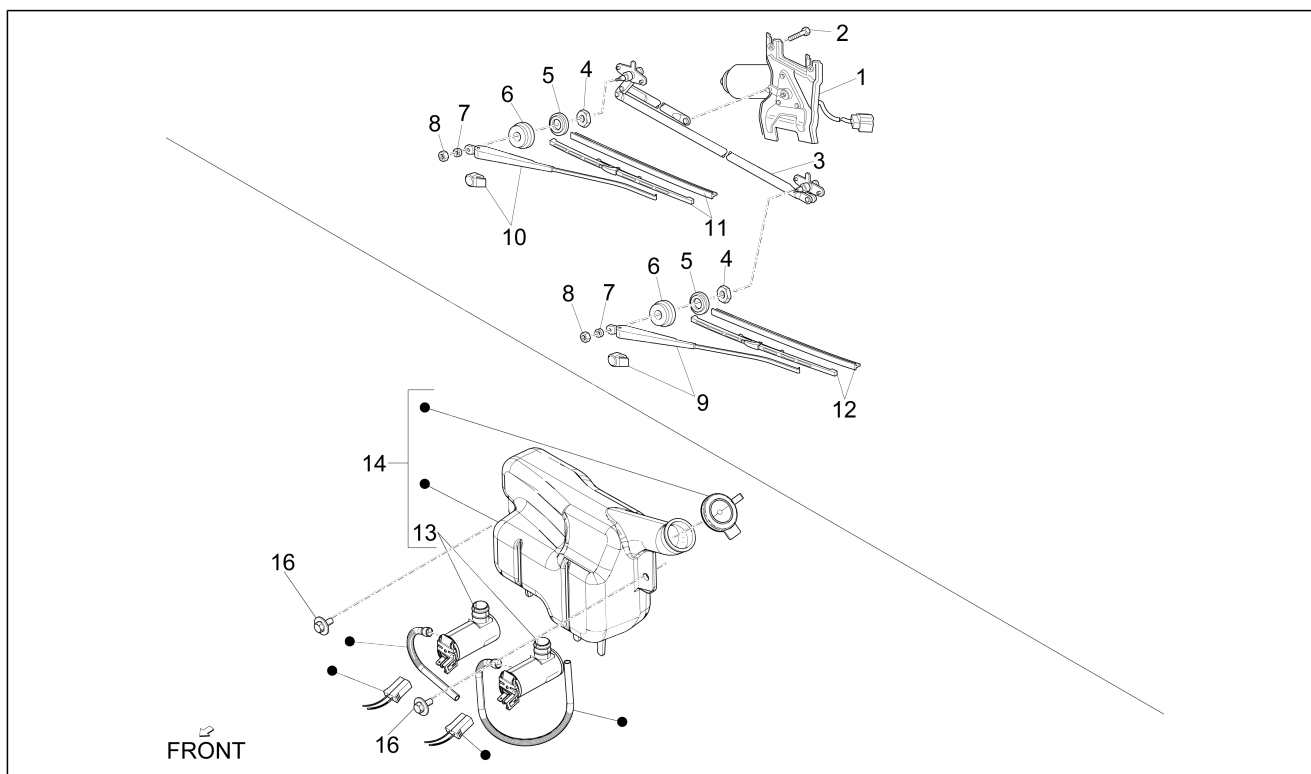
Pos.	Code	Beschreibung	Menge	Varianten
1	1D001631	Hauptelektroanlage MAXXI TIPPER	1	
1	1D001977	Hauptelektroanlage MAXXI	1	
1	1D001978	Hauptelektroanlage MAXXI TIPPER	1	
1	1D000814	Hauptelektroanlage MAXXI	1	
2	1E000359	Motorkabelbaum MT EU6	1	
3	615484	Massekabel	1	
4	1D001559	Kabelbaum Erdgasanlage	1	Modell: Für Modelle mit Erdgasversorgung[CNG]
4	1D001488	Kabelbaum Flüssiggasanlage	1	Modell: Für Modelle mit LPG[GPL]

Einheit	Elektrische Anlage
Code	06.09
Beschreibung	Bauteile elektrische Anlage
Inspektion	1



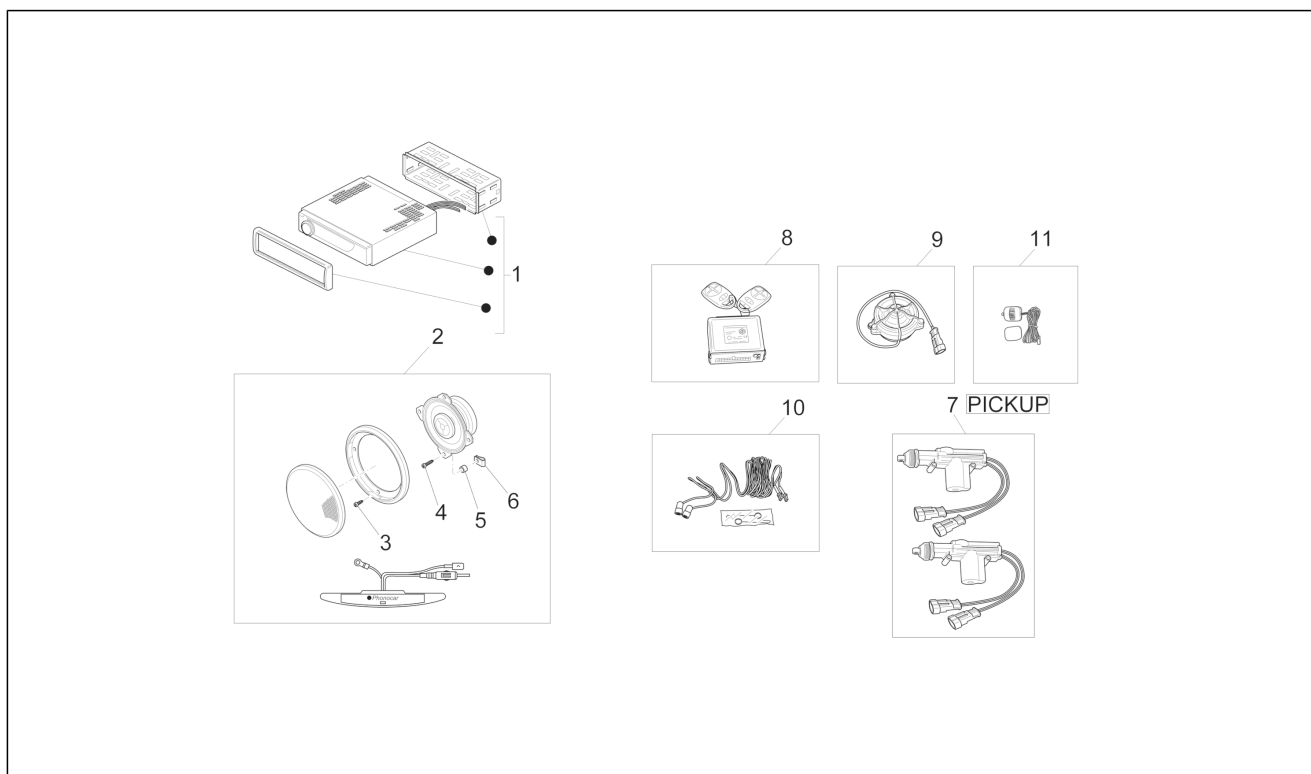
Pos.	Code	Beschreibung	Menge	Varianten
1	8260087538000	Sicherungseinheit komplett	1	
3	D9338315020	Schraube + Scheibe	2	
4	8261087510000	Sicherungshalter	1	
5	145298	Reißschelle L= 180 mm	6	
6	9004461420000	Schelle	3	
7	8271587204000	Schelle	1	
8	9004464484000	Schelle	1	
9	9004464190000	Schelle	2	
12	D8271587229	Bügel	1	
13	D9165140612	Sechskantschraube	2	
14	B004729	Schelle	1	
15	257134	Reißschelle L=277	1	
16	D9004461389	Schelle	2	
17	D9165140616	Sechskantschraube	5	
18	D9004464092	Schelle	1	
19	566063	Bügel	2	
20	D9004461419	Schelle	1	
21	9004464240000	Schelle	1	
22	B004700	Halterbügel	1	
23	191002	Kleine Feder	4	

Einheit	Elektrische Anlage
Code	06.12
Beschreibung	Vorderer und hinterer Scheibenwischer
Inspektion	1



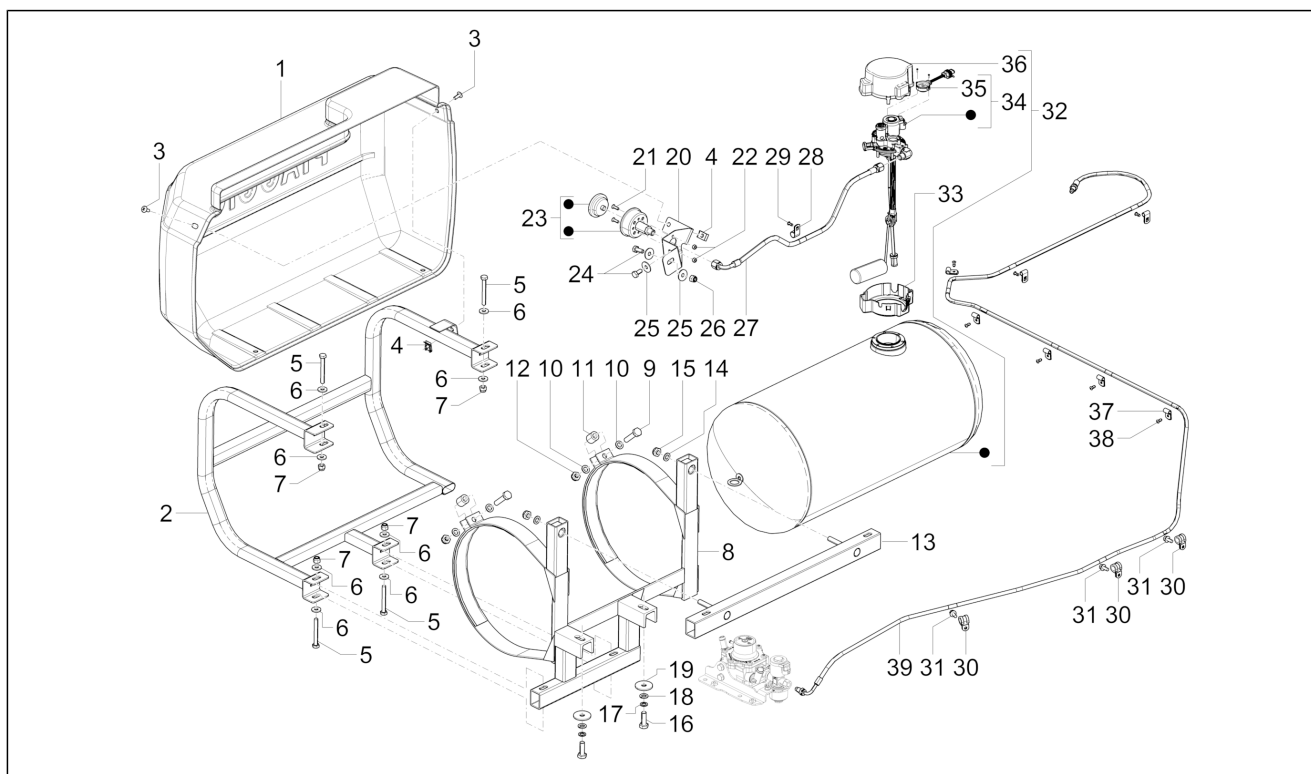
Pos.	Code	Beschreibung	Menge	Varianten
1	B006169	Scheibenwischermotor	1	
2	AP8150073	Sechskantschraube M6x30	4	
3	615895	Fensterheberantrieb	1	
4	645436	Mutter	2	
5	645435	Dichtung	2	
6	645434	Flachscheibe	2	
7	006968	Federring	2	
8	658842	selbstsp. Mutter M8	2	
9	660704	Scheibenwischerarm DX 417 mm	1	
10	660705	Scheibenwischerarm SX 441,5 mm	1	
11	615897	Wischblatt SX 410 mm	1	
12	615902	Wischblatt DX 380 mm	1	
13	B023318	Wasserpumpe Scheibenwischer	2	
14	1E001188	Behälter scheibenwaschanlage	1	
16	9004119260000	Schraubbolzen	2	

Einheit	Elektrische Anlage
Code	06.13
Beschreibung	Optional
Inspektion	1



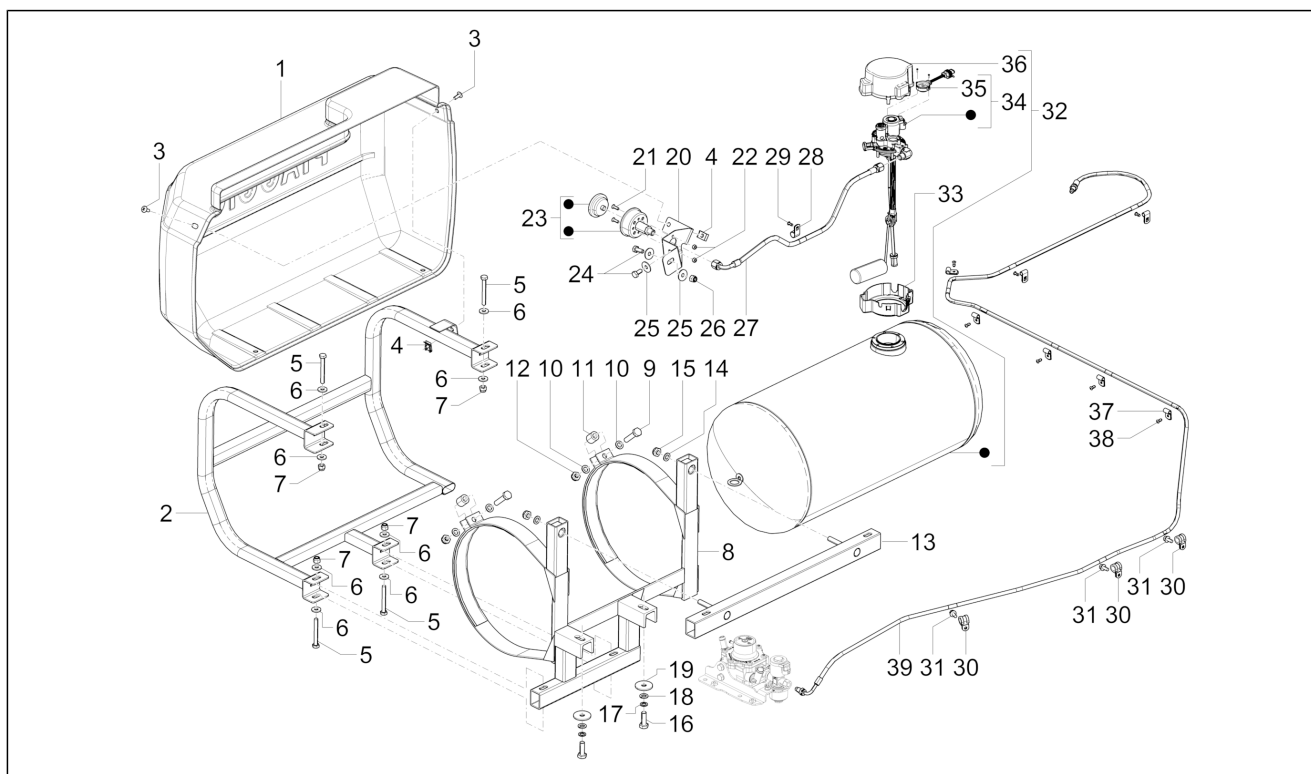
Pos.	Code	Beschreibung	Menge	Varianten
1	1D000736	Kit Autoradio	1	
2	B023206	Kit Lautsprecher und Antenne	1	
3	018536	Gew.schr. 3,5x13	8	
4	015994	Linsenschraube 3,5x19*	6	
5	623770	Distanzscheibe	6	
6	CM017405	Federplättchen	6	
7	B004464	Paar Stellvorrichtungen	1	
8	B005705	Steuergerät + 2 Fernbedienungen	1	
9	B004461	Siren	1	
10	B025105	Paar Halter Messwertgeber	1	
11	B004463	Led	1	

Einheit	LPG
Code	08.01
Beschreibung	Benzintank GPL (Pick)
Inspektion	1



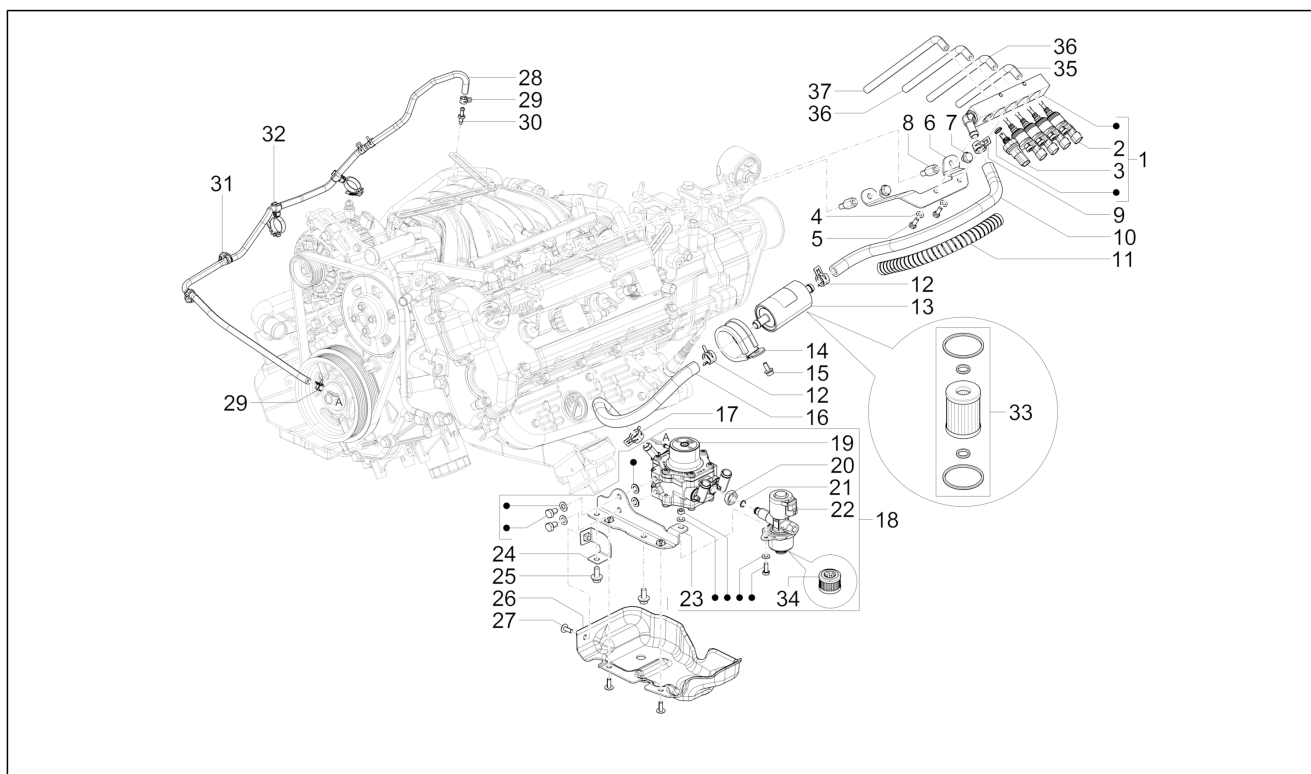
Pos.	Code	Beschreibung	Menge	Varianten
1	661143	Tankverkleidung	1	
2	661142	Tankschutz	1	
3	272836	Schraube M6x16	2	
4	254485	Federplättchen M6	2	
5	030079	Schraube	4	
6	013861	Flachscheibe 8,2x20x2,5	8	
7	002418	Mutter M8	4	
8	661146	Tankfixierung	1	
9	030098	Schraube m10x45	2	
10	003060	Flachscheibe	4	
11	660652	Distanzscheibe	2	
12	002440	Mutter, selbstsichernd M10	2	
13	661145	Querträger	1	
14	003060	Flachscheibe	2	
15	002440	Mutter, selbstsichernd M10	2	
16	031157	Sechskantschraube M10x30	2	
17	AP8152220	Scheibe	2	
18	003060	Flachscheibe	2	
19	567427	Unterlegscheibe	2	
20	661144	Bügel	1	
21	660673	Schraube M5x25	2	
22	660674	Sechskantmutter M5	2	
23	B005795	Füllstutzen	1	
24	031118	Schraube M8x20	2	
25	709077	Unterlegscheibe	3	
26	002418	Mutter M8	1	
27	1E001803	Flexible Gasleitung (Füllanschluss-Mehrfachventil)	1	
28	1E001951	Schelle Gasleitung 1/4"	1	

Einheit	LPG
Code	08.01
Beschreibung	Benzintank GPL (Pick)
Inspektion	1



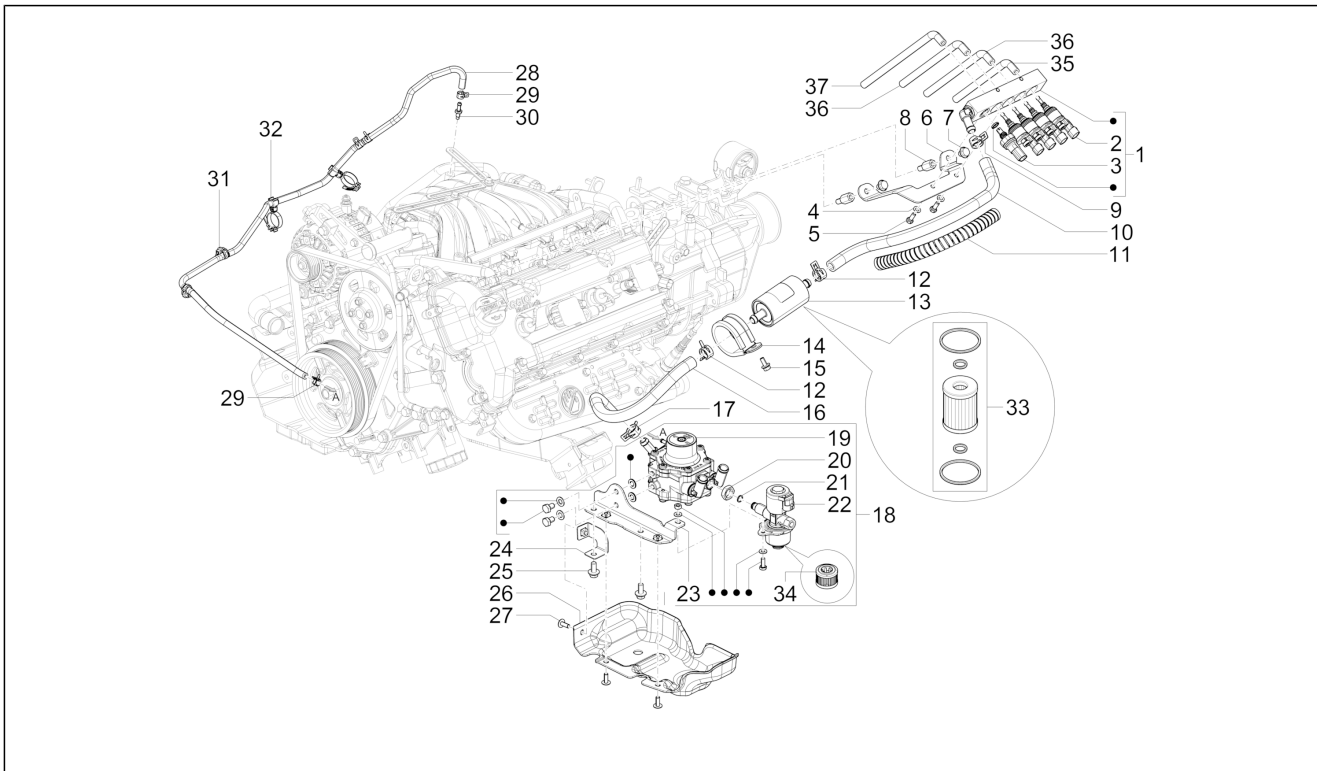
Pos.	Code	Beschreibung	Menge	Varianten
29	661065	Niet Aluminium	1	
30	1E001865	Gummischelle	3	
31	D9165140616	Sechskantschraube	3	
32	1E001372	Flüssiggastank komplett	1	
33	B005775	Schutzbasis Mehrfachventil	1	
34	B005794	Schwimmer komplett	1	
35	661140	Widerstandsscheibe	1	
36	B005774	Schutzdeckel Mehrfachventil	1	
37	660684	Schelle	7	
38	661065	Niet Aluminium	7	
39	1E001849	Flexible Gasleitung (Mehrfachventil-Druckregler)	1	

Einheit	LPG
Code	08.03
Beschreibung	Benrin-einspritzanlage GPL
Inspektion	1



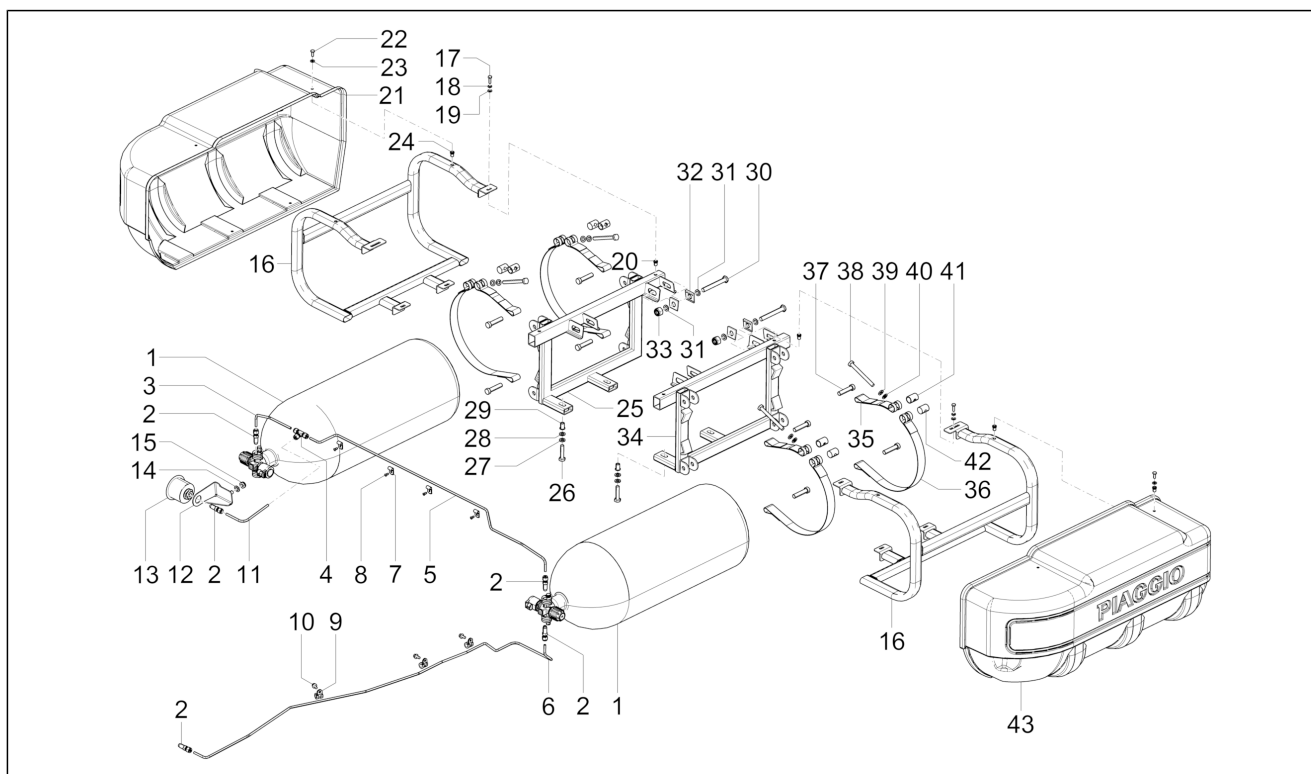
Pos.	Code	Beschreibung	Menge	Varianten
1	1A006490		1	
2	B005781	Einspritzdüse komplett INO3	4	
3	659736	Sensor	1	
4	003056	Flachscheibe 6,4x12x1	2	
5	031088	Schraube M6x16	2	
6	1A006838	Haltebügel Rail	1	
7	857008	TE Schr. m. Flansch M8x10,3	2	
8	B005727	Distanzscheibe	2	
9	1E001863	Schlauchschele	1	
10	1E001734	Gasleitung Filter-Rail	1	
11	612476	Spirale	1	
12	1E001863	Schlauchschele	2	
13	1E001806	Filter Gasphase	1	
14	1E001848	Bundring Befestigung Filter LPG	1	
15	9165140616000	Schraubbolzen	1	
16	1E001733	Gasleitung Druckregler-Filter	1	
17	1E001863	Schlauchschele	1	
18	1E001724	Druckminderer komplett	1	
19	1E001726	Druckminderer	1	
20	B005789	Spezia mutter M16x1	1	
21	B005790	O-Ring	1	
22	B005790	O-Ring	1	
23	1E001725	Unterer Haltebügel	1	
24	1E001982	Befestigungsbügel Abdeckung	1	
25	9165160820000	Schraubbolzen	2	
26	1E001728	Abdeckung Flüssiggas-Druckregler	1	
27	272836	Schraube M6x16	3	
28	1E001753	Druckabbauleitung komplett	1	

Einheit	LPG
Code	08.03
Beschreibung	Benrin-einspritzanlage GPL
Inspektion	1



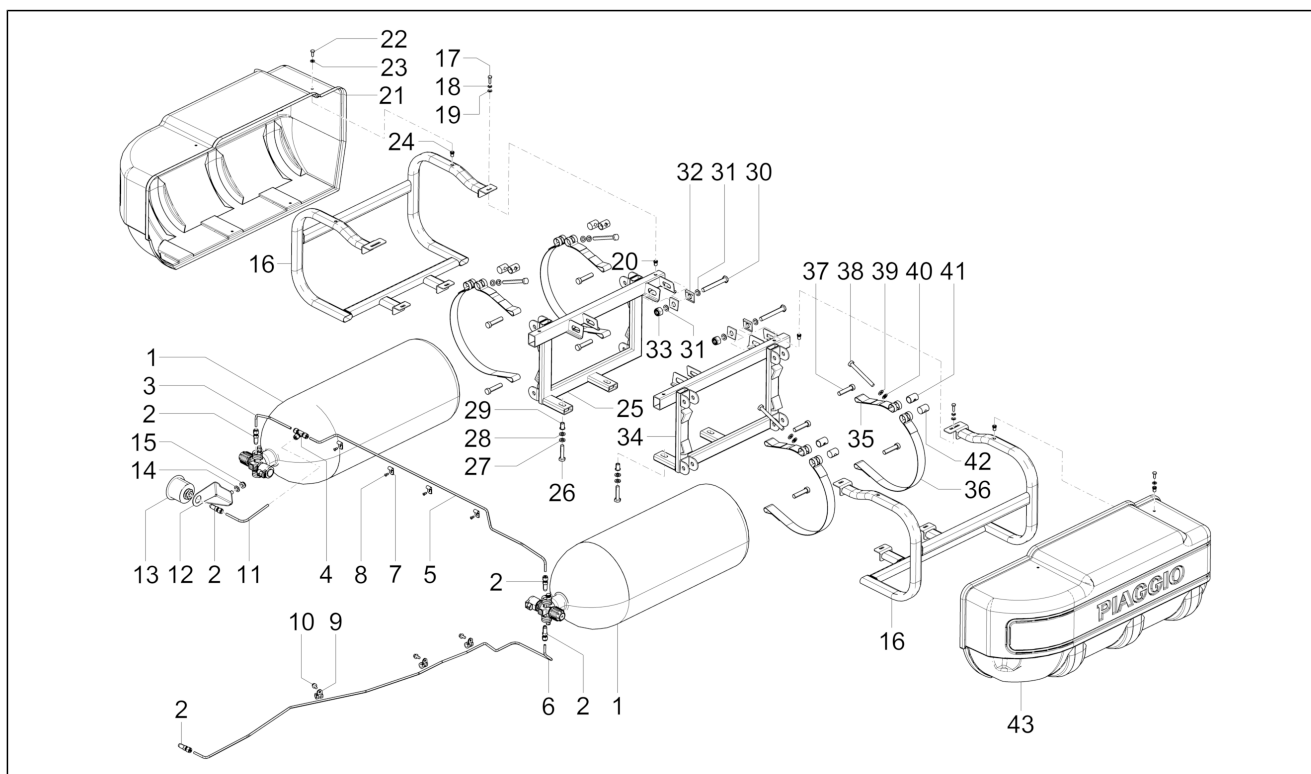
Pos.	Code	Beschreibung	Menge	Varianten
29	1F000321	Düse	1	
30	1F000320	Schlauchschelle	2	
31	CM013203	Feder Blechkanten	2	
32	1E001868	Rückhaltefeder Leitungen/Kabel	2	
33	1E001903	Kit LPG-Filter gasförmige Phase	1	
34	1R000089	Filter Flüssigphase	1	
35	1A006881	Leitung Einspritzdüse L=134 mm	1	
36	1A006882	Leitung Einspritzdüse L=147 mm	2	
37	1A006883	Leitung Einspritzdüse L=184 mm	1	

Einheit	Methan
Code	09.01
Beschreibung	Kraftstofftank Methan
Inspektion	1



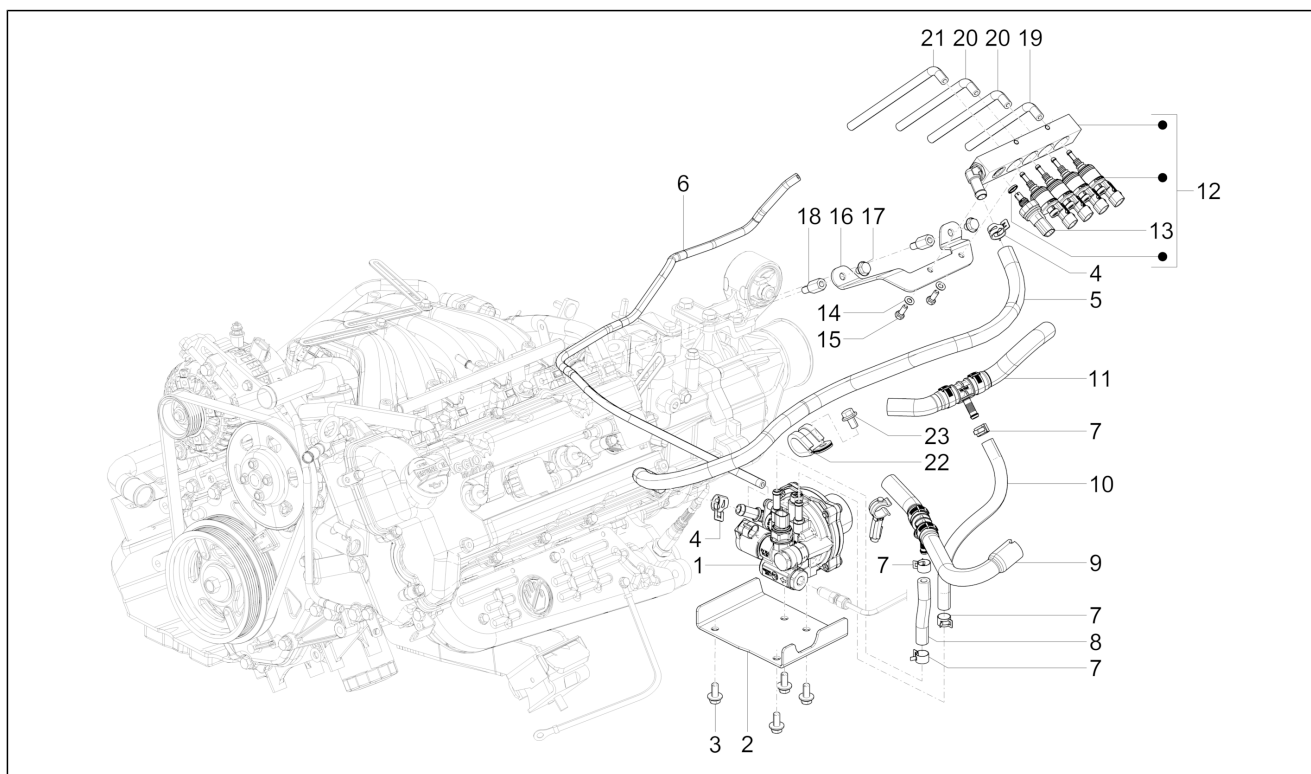
Pos.	Code	Beschreibung	Menge	Varianten
1	B007935	Benzintank komplett 273x750	2	
2	B007955	Endverschraubung	5	
3	1E001935	Starre Gasleitung (Beh.rechts-Verschraubung)	1	
4	B007949	3-Wegeanschluß	1	
5	1E001934	Starre Gasleitung (Verschraubung-Beh.links)	1	
6	1E001933	Starre Gasleitung (Beh.links-Druckregler)	1	
7	660684	Schelle	4	
8	661065	Niet Aluminium	4	
9	1E002209	Gummischelle	3	
10	D9165140616	Sechskantschraube	3	
11	1E001936	Starre Gasleitung (Füllanschluss-Verschraubung)	1	
12	1E001966	Haltebügel Dose	1	
13	B007939	Füllstutzen	1	
14	013869	Flachscheibe	1	
15	002440	Mutter, selbstsichernd M10	1	
16	B005809	Not available	2	
17	031090	Sechskantschraube	8	
18	016406	Federring 6,4x11,8x1	8	
19	013777	Unterlegscheibe 6.4x13x1.5	8	
20	660710	Geschnitten Kunststoffniet M6x16	8	
21	B005810	Tankschutz re	1	
22	031088	Schraube M6x16	8	
23	013777	Unterlegscheibe 6.4x13x1.5	8	
24	660710	Geschnitten Kunststoffniet M6x16	8	
25	B005801	Rahmen re Halterung Gasflasche	1	
26	030098	Schraube m10x45	4	
27	016410	Unterlegscheibe 17,6x11x2,5	4	
28	003060	Flachscheibe	4	

Einheit	Methan
Code	09.01
Beschreibung	Kraftstofftank Methan
Inspektion	1



Pos.	Code	Beschreibung	Menge	Varianten
29	B004248	Gewinde-Einsatz	4	
30	813286	Sechskantschraube	4	
31	013869	Flachscheibe	8	
32	661159	Platte	8	
33	661162	Selbstsperrende Mutter m14	4	
34	B005802	Rahmen li Halterung Gasflasche	1	
35	B007930	Stutzebinde	4	
36	B007929	Stutzebinde	4	
37	B007931	Fixierstift L=62	8	
38	030109	Schraubbolzen	4	
39	016410	Unterlegscheibe 17,6x11x2,5	4	
40	003060	Flachscheibe	4	
41	B007932	Fixierstift	4	
42	B007933	Fixierstift	4	
43	B005811	Tankschutz li	1	

Einheit	Methan
Code	09.03
Beschreibung	Benrin-einspritzanlage Methan
Inspektion	1



Pos.	Code	Beschreibung	Menge	Varianten
1	1E001766	Druckminderer komplett	1	
2	1E001732	Haltebügel Druckregler	1	
3	D9165160820	Sechskantschraube	4	
4	1E001863	Schlauchschele	2	
5	1E001804	Gasleitung Druckregler-Rail	1	
6	1E001752	Schlauch	1	
7	D9004467190	Bundring	4	
8	1E002250	Kühlflüssigkeitsleitung	1	
9	1E001800	Rücklaufleitung Behälter komplett mit Anschluss	1	
10	1E002251	Kühlflüssigkeitsleitung	1	
11	1E001799	Vorlaufleitung Heizer	1	
12	1A006490		1	
13	659736	Sensor	1	
14	003056	Flachscheibe 6,4x12x1	2	
15	031088	Schraube M6x16	2	
16	1A006838	Haltebügel Rail	1	
17	874554	TE Schr. m. Flansch M6x14	2	
18	B005727	Distanzscheibe	2	
19	1A006881	Leitung Einspritzdüse L=134 mm	1	
20	1A006882	Leitung Einspritzdüse L=147 mm	2	
21	1A006883	Leitung Einspritzdüse L=184 mm	1	
22	1E002211	[...]	1	
23	9165140816000	Schraube	1	